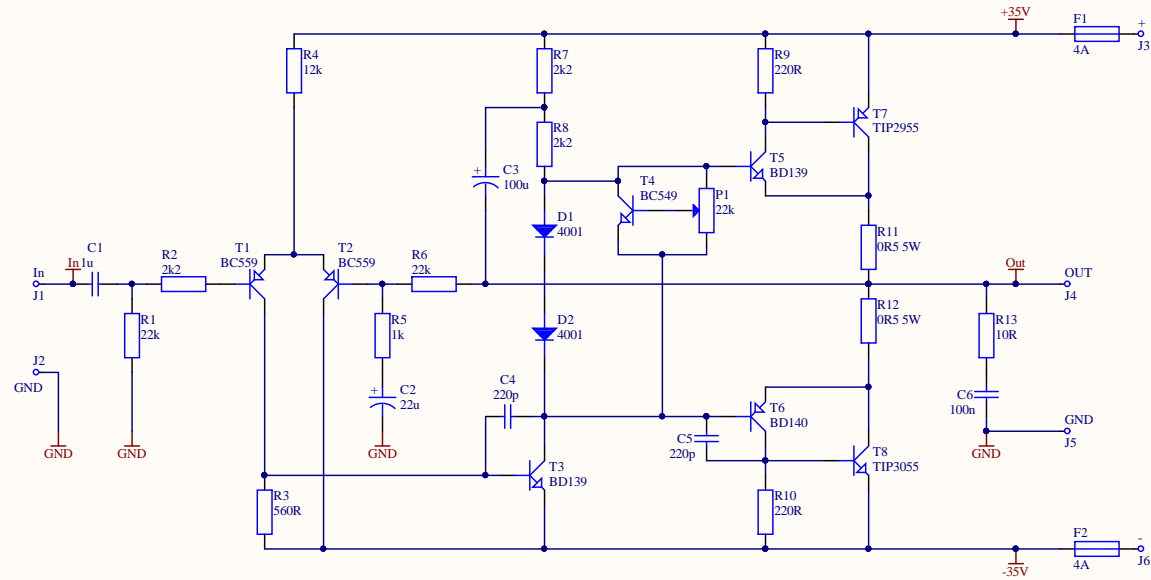


1
2
4



Title		
Size	Number	Revision
B		
Date:	2022.12.14.	Sheet of
File:	E:\Awork\SE1025\SE1025.SCH	Drawn By: