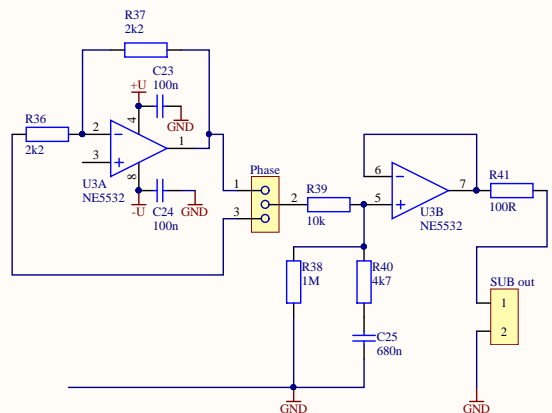
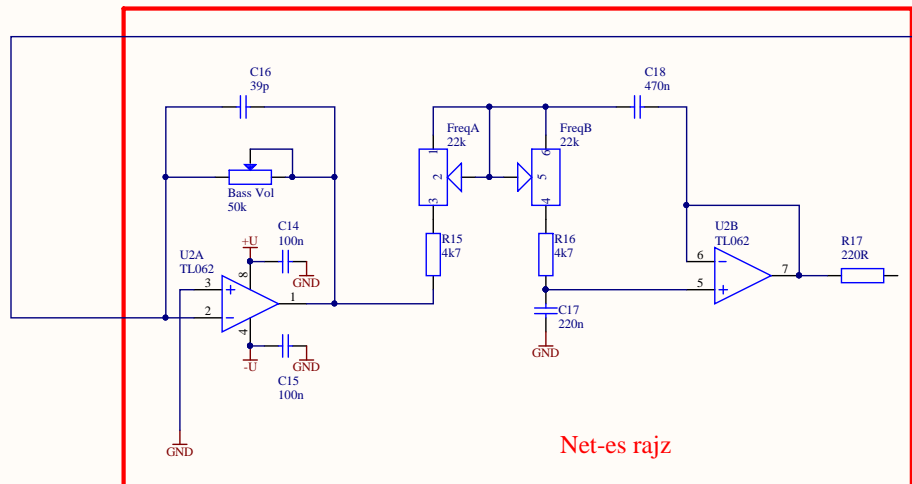


?



Title		
Size A3	Number	Revision
Date: File:	2023.01.24. E:\Awork\Sub_21\Sub_21_2.SchDoc	Sheet of Drawn By: