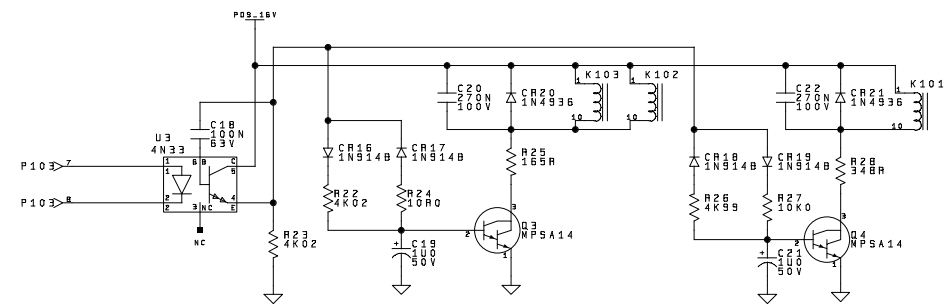
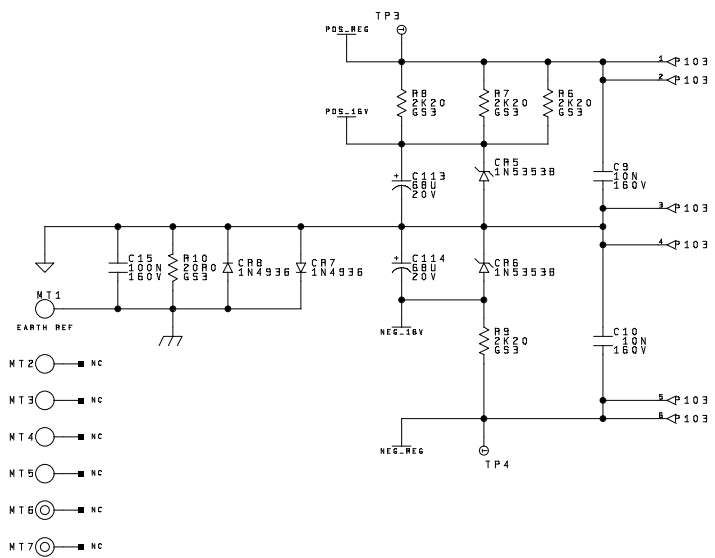
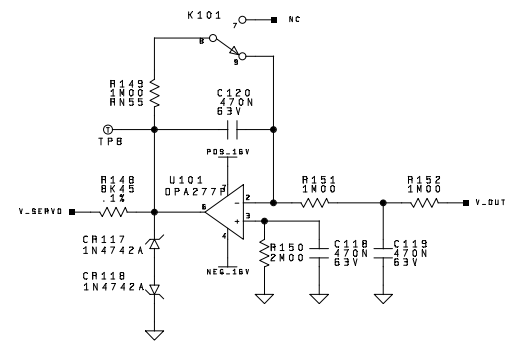


NOTE:  
1 ALL RESISTORS ARE RN60 UNLESS OTHERWISE SPECIFIED.



ORIGINAL IN RED  
 Part # 58070BD/580709D  
 Part # 943553A  
 Release date:  
 Type of release:  Prototype  Pilot  In production  Revision  
 Comments:  
 Drafting approval: \_\_\_\_\_ Eng approval: \_\_\_\_\_  
 Issued by: \_\_\_\_\_ SIGNATURE \_\_\_\_\_ DATE: \_\_\_\_\_

DR. BY	DATE	USED IN
MWR	07-24-01	NO. 431
CH.	DATE	
A	DRAWING NUMBER CORRECTION	1-12-02
ISSUE	REVISION	DATE

MADRIGAL <small>audio laboratories, inc.</small>									
2081 south main street northampton 06457 u.s.a.									
MATERIAL					CAD ID.-431AUD_D				
SHEET					OF				
A					D				
NAME					LEFT/RIGHT CHANNEL				
AUDIO CHANNEL DAUGHTER					No. 943553A				