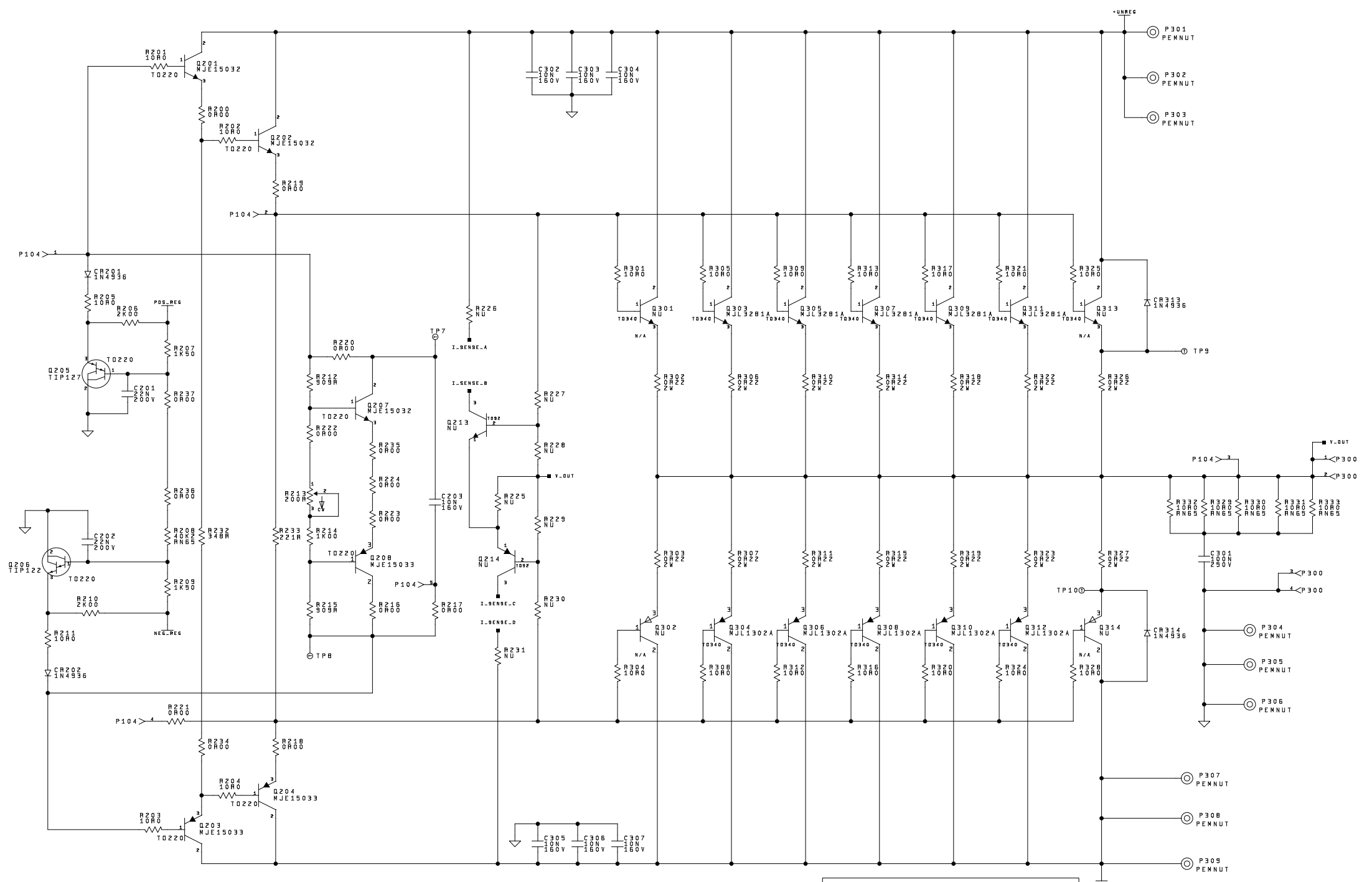
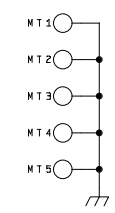
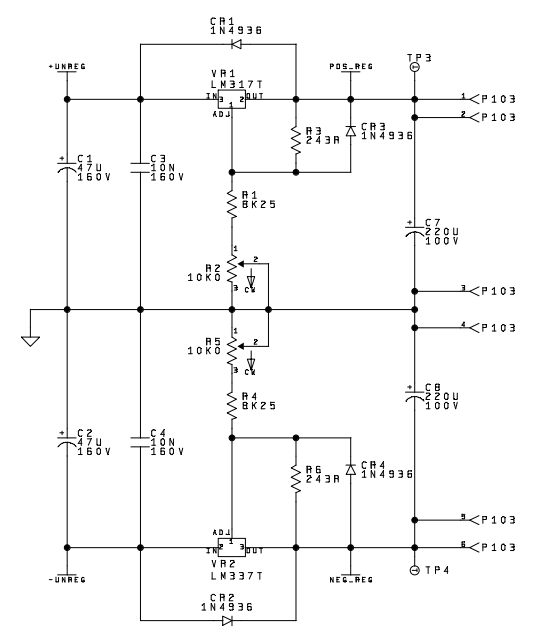
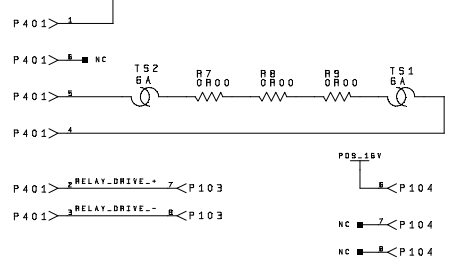
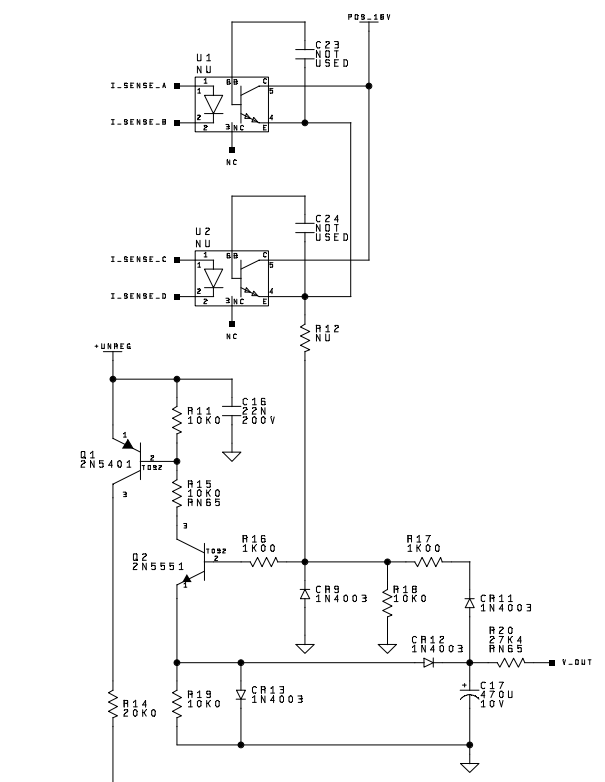


SYM	REVISION DESCRIPTION	DFTR	DATE
A	DELETE R23B, R227 R230 WAS 100R		
	R12 WAS 1K00, R207 WAS 1K00		
	R209 WAS 1K50, Q205 Q208 COLLECTOR		
	C204 C202 TIE TO GROUND, MOVE CONNECTION		
	R237 TO BASE Q205	A.M.	10-11-2002
B	U1, U2, C23, C24, R226, R228, R229, R231		
	R225 NOT USED, C7-B WAS 120U		
	C301 WAS 160V, ADDED R332-333.	A.M.	1-14-2003



ORIGINAL IN RED
 BOARD No. 580666C-D/580667C-D
 DWG No. 943551B
 RELEASE DATE: _____
 RELEASE DOC: _____
 Type of release: Prototype Production

APPROVAL
 DRAFT _____ DATE: _____
 QC _____ DATE: _____
 ENG _____ DATE: _____
 MANU _____ DATE: _____
 INDUST DES _____ N/A DATE: _____ N/A

CAD ID - 431AUD_M

MADRIGAL audio laboratories, inc.
 2085 south main street, madison, connecticut 06457 u.s.a.

CONTENTS OF THIS PAGE ARE PROPERTY OF MADRIGAL - A Harman International Company

DRAWN BY	DATE	SHEET	SIZE
MWM	07-24-2001	1 OF 1	D

DESCRIPTION: NO. 431 LEFT/RIGHT CHANNEL AUDIO CHANNEL AC-1
 DWG No.: 943551B