

NOTES:

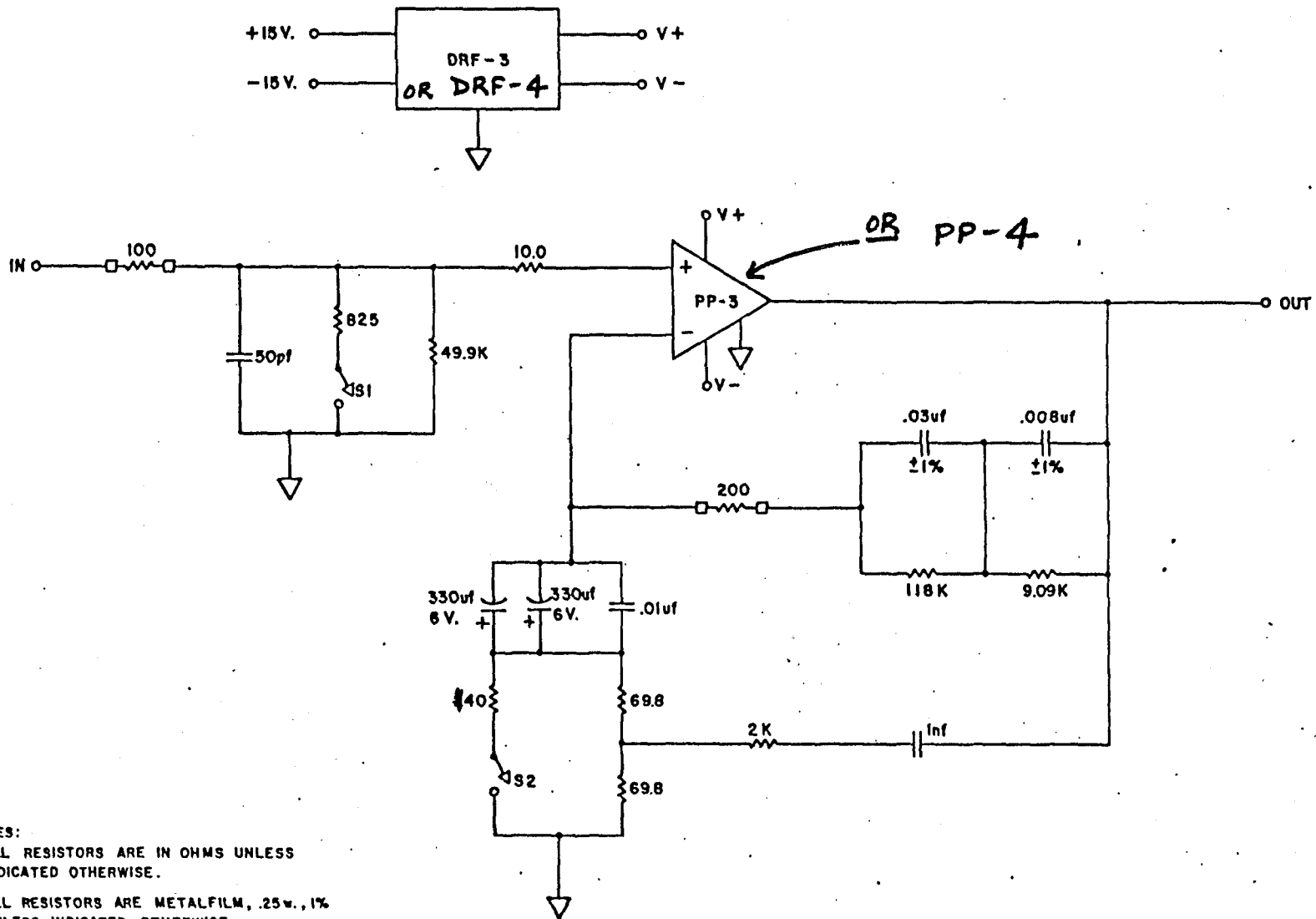
1. ALL RESISTORS ARE IN OHMS UNLESS INDICATED OTHERWISE.
2. ALL RESISTORS ARE METALFILM, .25w., 1% UNLESS INDICATED OTHERWISE.
3. K=10<sup>3</sup>, M=10<sup>6</sup>.
4. ALL CAPACITORS ARE IN MICROFARADS UNLESS INDICATED OTHERWISE.
5. n = 10<sup>n</sup>, M = 10<sup>6</sup>.

**ORIGINAL IF RED**

Property of

Madrigal Audio Laboratories Inc.

TOLERANCES UNLESS SPECIFIED FRACTION 1/10 DECIMAL 1/100 ANGLE 1°		<b>mark evinson</b> audio systems, ltd <small>35 CROSS STREET HANSON STREET 08510 USA</small>	
DR. DATE CH. DATE		MATERIAL ML-1	SHEET OF A B C D E F G
ISSUE REVISION DATE SCALE		NAME PHONO SYSTEM A3	NO. 94-1001-00

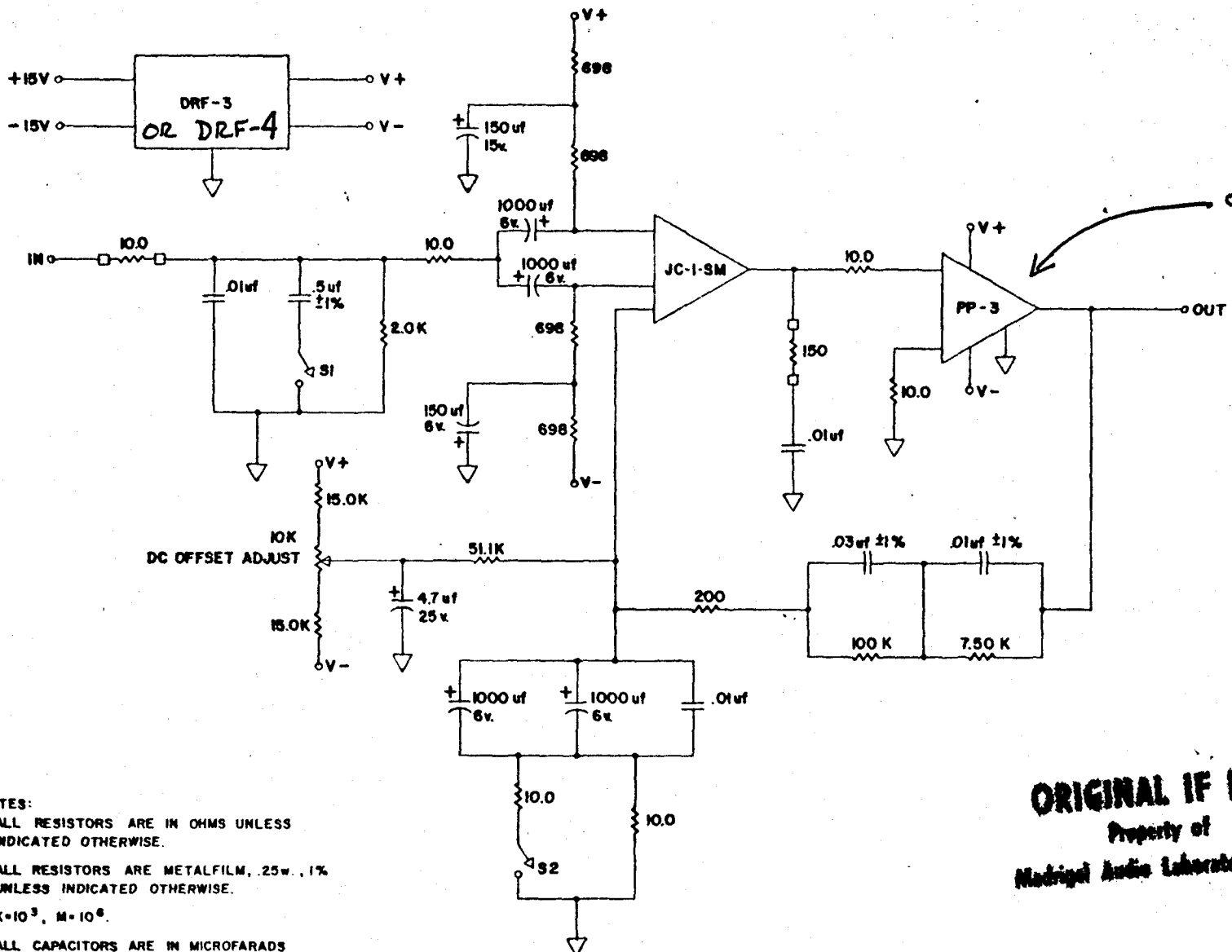


NOTES:

1. ALL RESISTORS ARE IN OHMS UNLESS INDICATED OTHERWISE.
2. ALL RESISTORS ARE METALFILM, .25w., 1% UNLESS INDICATED OTHERWISE.
3. K=10<sup>3</sup>, M=10<sup>6</sup>.
4. ALL CAPACITORS ARE IN MICROFARADS UNLESS INDICATED OTHERWISE.
5. N=10<sup>3</sup>, M=10<sup>6</sup>.

**ORIGINAL IF RED**  
 Property of  
 Madrigal Audio Laboratories Inc.

		TOLERANCES UNLESS SPECIFIED		mark evinson audio systems, inc.	
		FRACTION 1/100		36 GREAT BOND TYPHON CORPORATION 08516 USA	
		DECIMAL 1.000		MATERIAL	
		ANGLE 11°		USED IN	
		DR. A.M. 8-15-78		ML-1	
		CH. DATE		NAME	
ISSUE		REVISION		DATE SCALE	
				.PHONO SYSTEM A4E	
				94-1001-00	

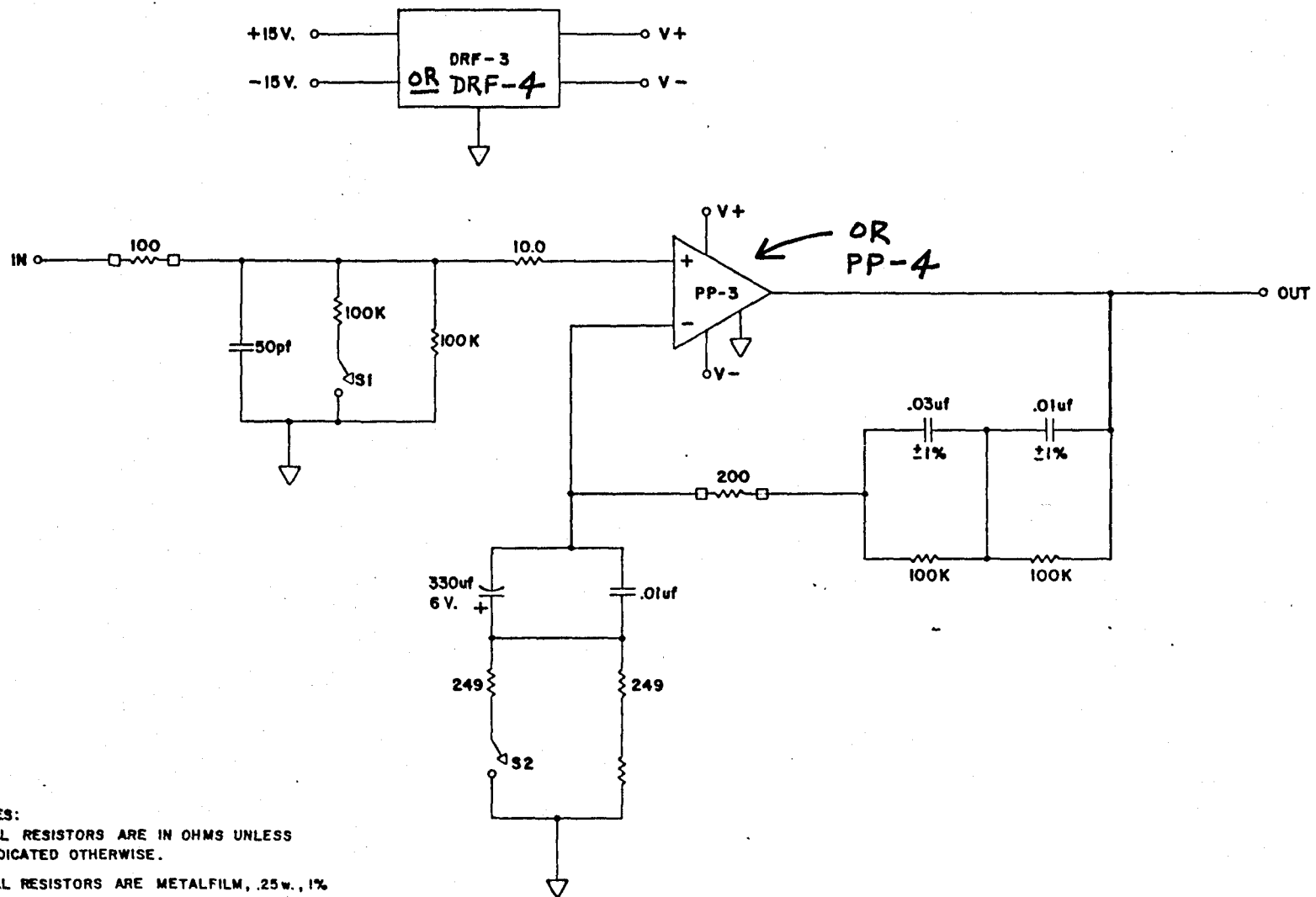


OR PP-4

- NOTES:
1. ALL RESISTORS ARE IN OHMS UNLESS INDICATED OTHERWISE.
  2. ALL RESISTORS ARE METALFILM, .25w., 1% UNLESS INDICATED OTHERWISE.
  3. K =  $10^3$ , M =  $10^6$ .
  4. ALL CAPACITORS ARE IN MICROFARADS UNLESS INDICATED OTHERWISE.
  5.  $n = 10^3$ , M =  $10^6$ .

**ORIGINAL IF RED**  
 Property of  
 Madrigal Audio Laboratories Inc.

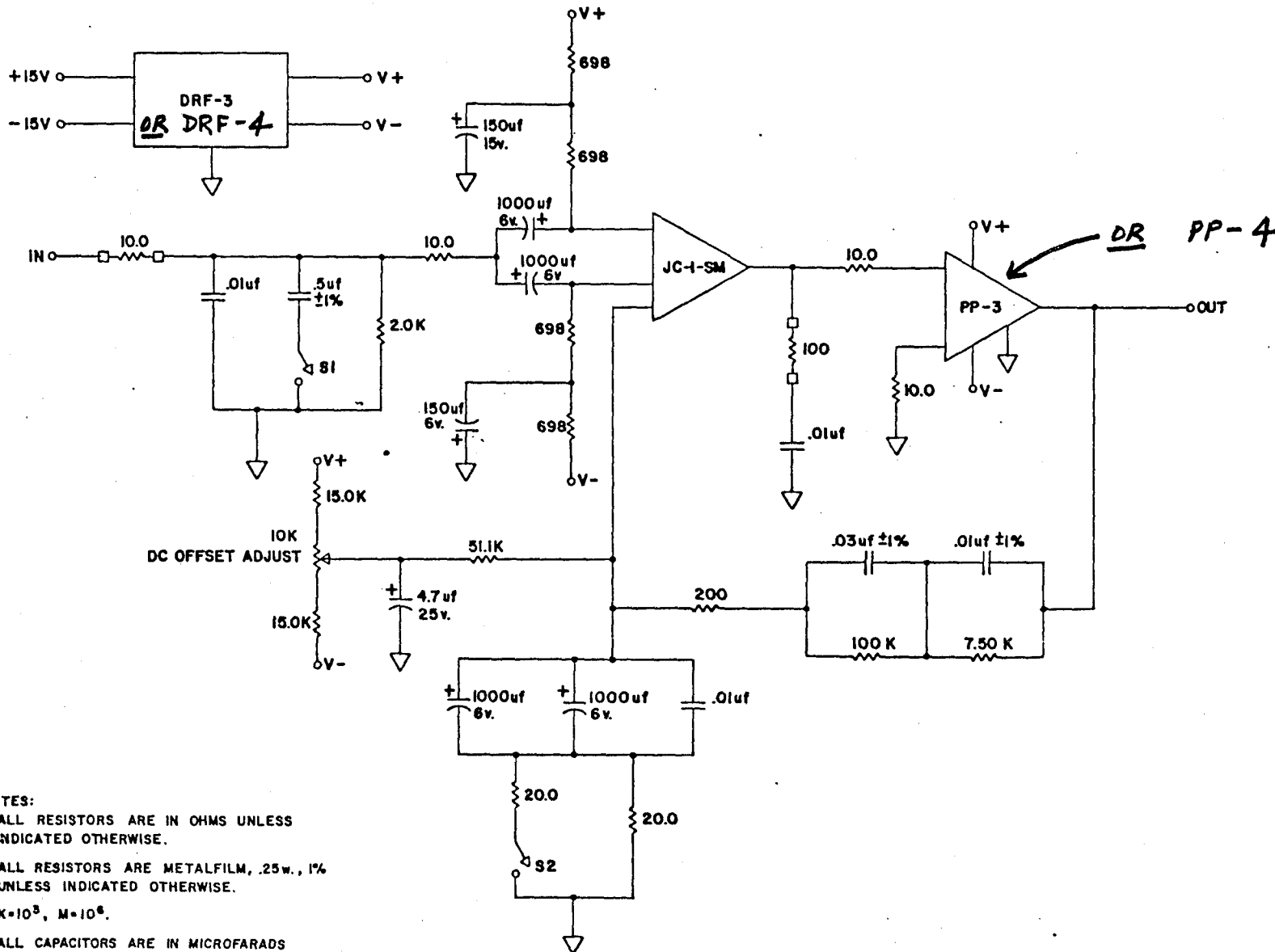
		TOLERANCES UNLESS SPECIFIED		mark evinson audiosystems, inc.	
		FRACTION 1/100		56 CIRCULAR AVENUE, HUNTSVILLE, CONNECTICUT 06034 U.S.A.	
		DECIMAL 1.000		MATERIAL	
		ANGLE 15°		SHEET OF	
		DR. DATE		USED IN	
		CH. DATE		ML-1	
		NAME		NO.	
ISSUE		REVISION		DATE SCALE	
				PHONO SYSTEM D6	
				94-1002-00	



NOTES:

1. ALL RESISTORS ARE IN OHMS UNLESS INDICATED OTHERWISE.
2. ALL RESISTORS ARE METALFILM, .25w., 1% UNLESS INDICATED OTHERWISE.
3. K=10<sup>3</sup>, M=10<sup>6</sup>.
4. ALL CAPACITORS ARE IN MICROFARADS UNLESS INDICATED OTHERWISE.
5.  $\mu$ =10<sup>-6</sup>, M=10<sup>6</sup>.

<p><b>ORIGINAL IF RED</b></p> <p>Property of</p> <p>Medical Audio Laboratories Inc.</p>		<p>TOLERANCES UNLESS SPECIFIED</p> <p>FRAC TION 1/100</p> <p>DECIMAL 1.005</p> <p>ANGLE 1/2°</p>		<p>mark evinson audio systems, inc</p> <p>55 CEDAR AVENUE HARTFORD CONNECTICUT 06114 U.S.A.</p>	
		<p>DR. DATE</p> <p>DATE</p>		<p>MATERIAL</p> <p>USED IN</p> <p>ML-1</p> <p>NAME</p>	
<p>ISSUE</p> <p>REVISION</p>		<p>DATE</p> <p>SCALE</p>		<p>SHEET</p> <p>OF</p> <p>A B C D E F</p> <p>NO.</p>	
<p>PHONO SYSTEM A3X</p>				<p>94-1003-00</p>	



NOTES:

1. ALL RESISTORS ARE IN OHMS UNLESS INDICATED OTHERWISE.
2. ALL RESISTORS ARE METALFILM, .25w., 1% UNLESS INDICATED OTHERWISE.
3. K=10<sup>3</sup>, M=10<sup>6</sup>.
4. ALL CAPACITORS ARE IN MICROFARADS UNLESS INDICATED OTHERWISE.
5. N=10<sup>3</sup>, M=10<sup>6</sup>.

**ORIGINAL IF RED**

Property of  
Madrigal Audio Laboratories Inc.

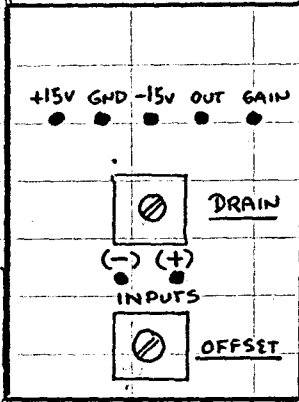
TOLERANCES UNLESS SPECIFIED		mark & evinson audio systems, ltd	
FRACTION 1/100		36 crouse avenue hamden connecticut 06514	
DECIMAL 2.000		MATERIAL	SHEET OF
ANGLE 1:1		USED IN	A B C D E F
DR.	DATE	ML-1	NO.
CH.	DATE	NAME	
100%	REVISION	DATE SCALE	PHONO SYSTEM D5 94-1004-00



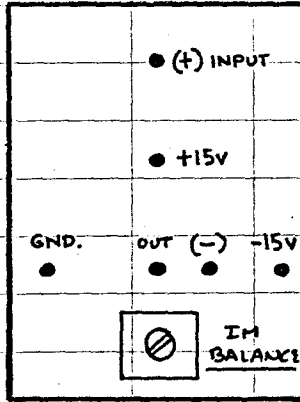
# BASING DIAGRAMS

BOTTOM VIEWS:

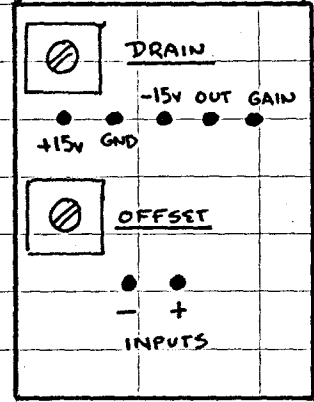
ULD Line driver  
JC-2-ML-1



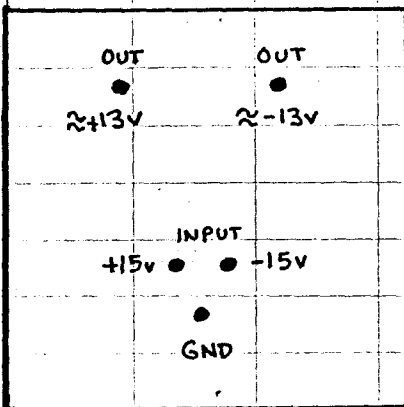
PP2 Phono  
JC-2, ML-1



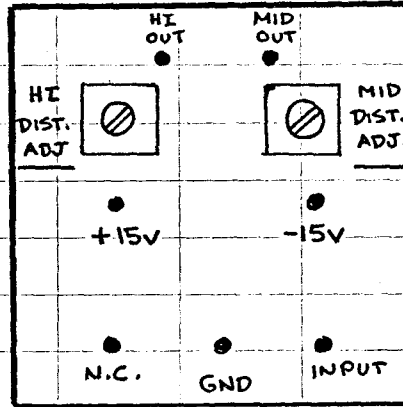
LD2 Line driver  
LNP-2



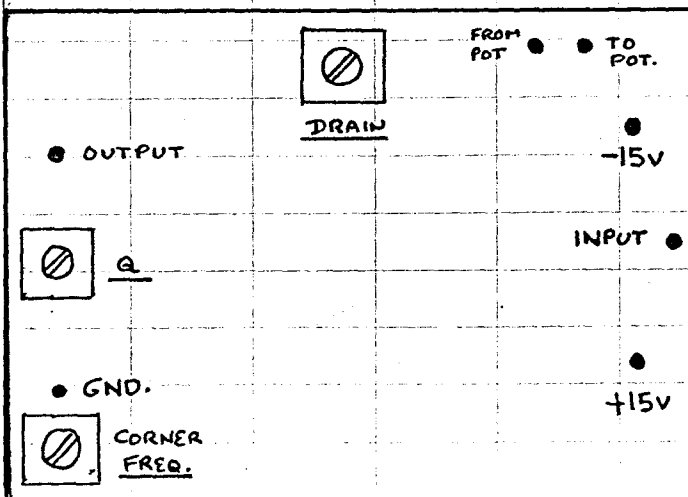
DRF

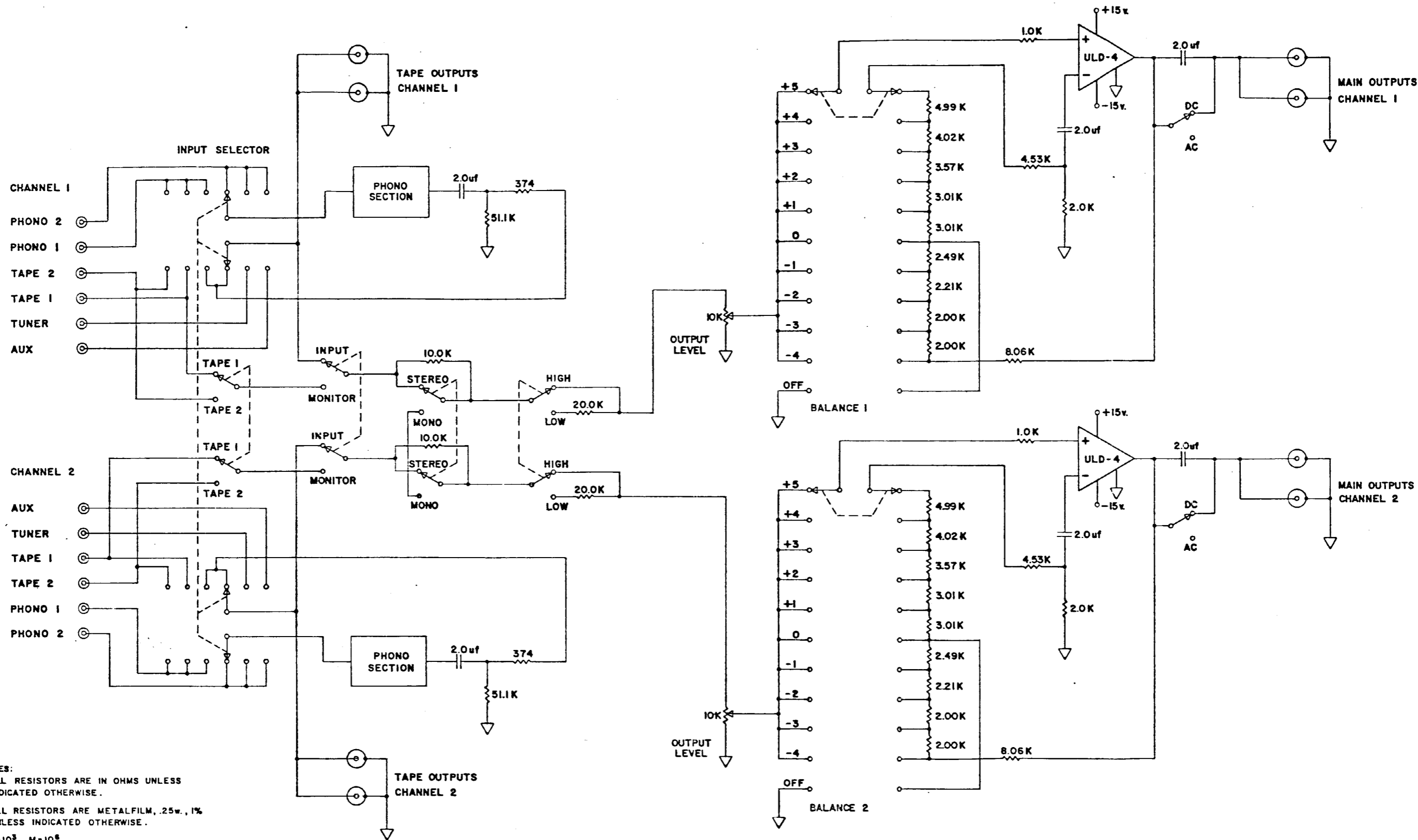


OCS



FILTERS





- NOTES:
1. ALL RESISTORS ARE IN OHMS UNLESS INDICATED OTHERWISE.
  2. ALL RESISTORS ARE METALFILM, .25w, 1% UNLESS INDICATED OTHERWISE.
  3. K=10<sup>3</sup>, M=10<sup>6</sup>.
  4. ALL CAPACITORS ARE IN MICROFARADS UNLESS INDICATED OTHERWISE.
  5. μ=10<sup>-6</sup>, M=10<sup>6</sup>.

**ORIGINAL IF RED**

Property of  
**Madrigal Audio Laboratories Inc.**

TOLERANCES UNLESS SPECIFIED		mark evinson audio systems, ltd	
FRACTION 1/100	DECIMAL 1.000	32 ORLAND AVENUE, NEWTON, MASSACHUSETTS, U.S.A.	
ANGLE 131°	DATE	MATERIAL	LIBRARY
DATE	DATE	USED IN	A B C D E F
REV. 1	DATE	NAME	NO.
ML-1	10-2		94-1000-00



ML-1 SPECIFICATIONS

PHONO

Gain (dB) : A3: 32/39      A4E: 38/44      D5: 54/60      D6: 60/66

Gain difference between channels:  $\pm 2\text{dB}$

THD : @20kHz, 3V, 32dB = .008%

IMD : 60Hz/7kHz, 4:1, 3V = .008%      -40-50 mA input  
 System D (60dB) = .01%

Noise : 10mV, 1kHz, 32dB = -80dB  
 1mw D system  $\longleftrightarrow$  675dB

LINE

Gain : Hi - 21dB  
 Low - 11dB

Gain difference between channels:  $\pm 2\text{dB}$

THD : @20kHz, 3V, 10k = .01%

IMD : 60Hz, 7kHz, 4:1, 3V = .008%

Noise : 2.5V, 1kHz = -95dB

Balance Control Accuracy :  $\pm 2\text{dB}$

ML-1 FACTORY SET GAIN POSITIONS

* System A3	switch 1 closed(50k)	switch 2 open(30dB)
System A4E	" 1 closed(820 ohms)	" 2 closed(44dB)
System D5	" 1 open(CRC out)	" 2 closed(60dB)
System D6	" 1 open(CRC out)	" 2 open(60dB)

OPPOSITE SWITCH COMBINATIONS

* System A3	Switch 1 open(100k)	switch 2 closed(40dB)
System A4E	switch 1 open(50k)	switch 2 open(38dB)
System D5	" 1 closed(CRC in)	" 2 open(54dB)
System D6	" 1 closed(CRC in)	" 2 closed(66dB)

\*All previous documentation regarding system A3 has indicated 30dB and 40dB of gain (switchable). In actuality system A3 offers 31.6dB and 39dB.

Technical Services

February 21, 1979

1-502-564-3251