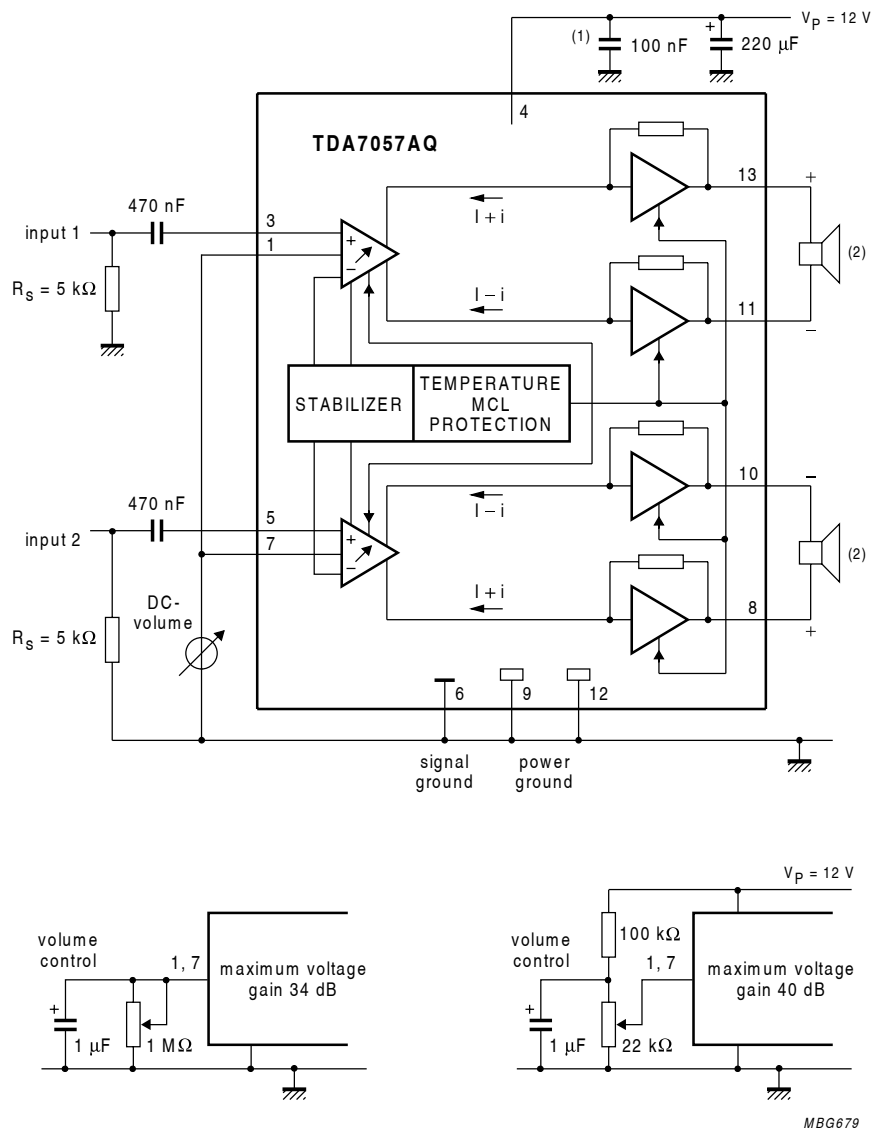


2 × 8 W stereo BTL audio output amplifier
with DC volume control

TDA7057AQ



(1) This capacitor can be omitted if the 220 μF electrolytic capacitor is connected close to pin 5.
 (2) $R_L = 16 \Omega$.

Fig.13 Test and application diagram.