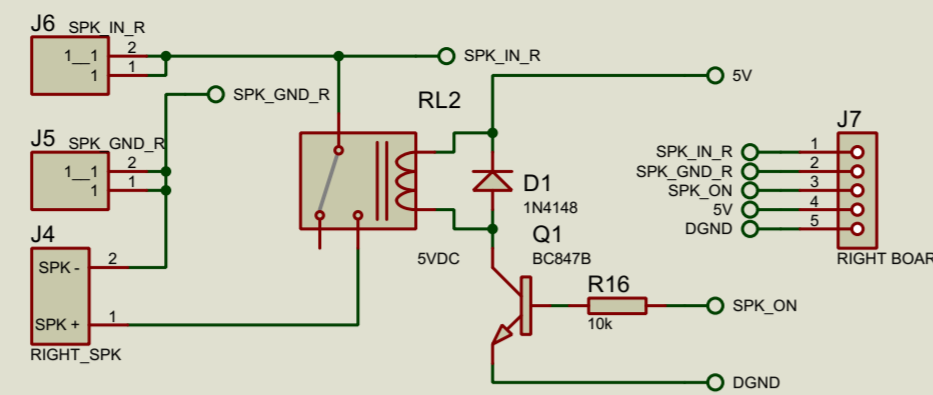
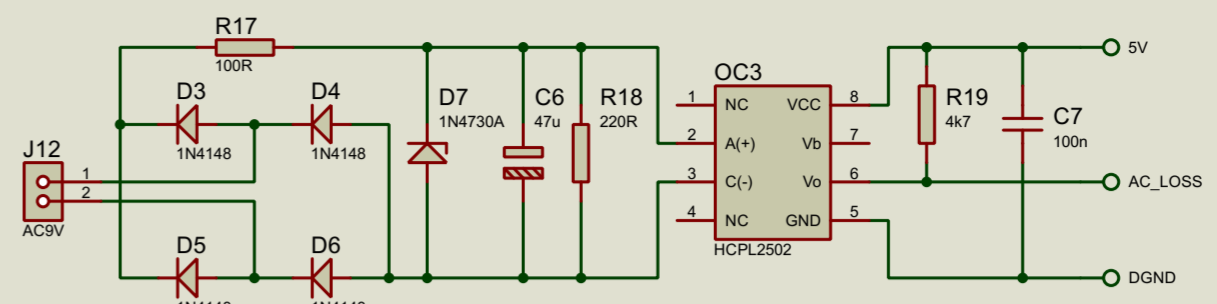


LEFT terminal board



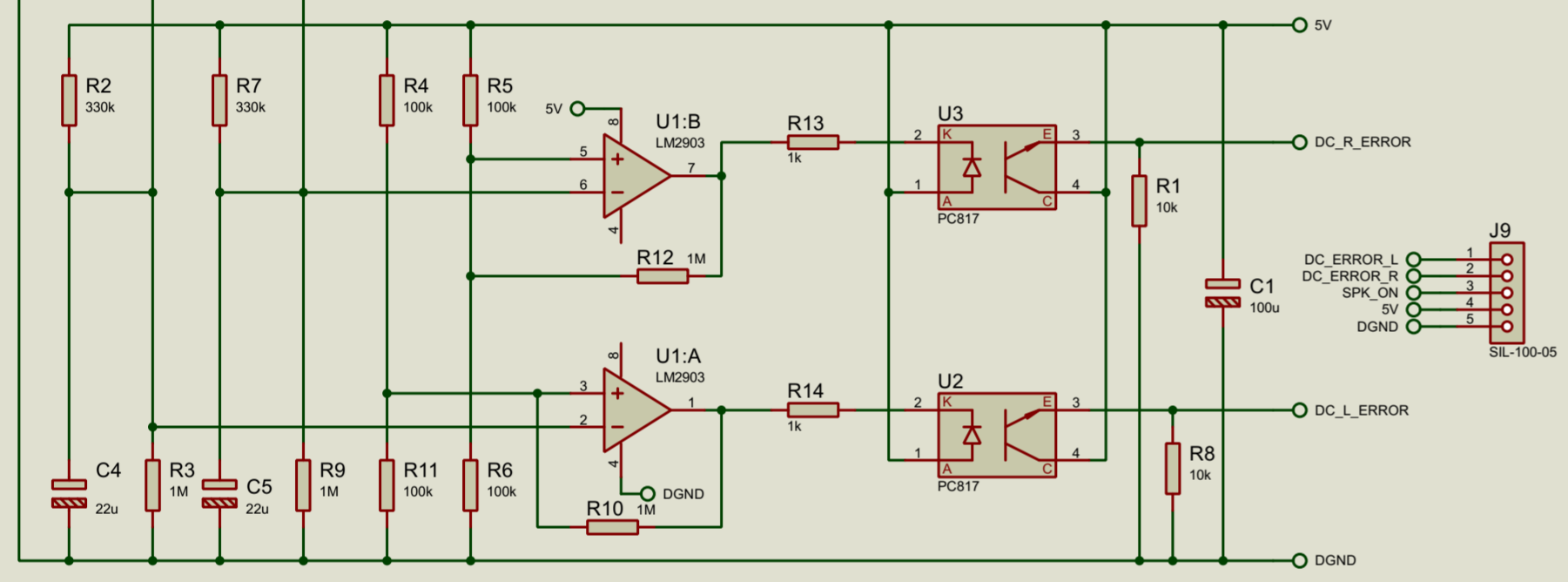
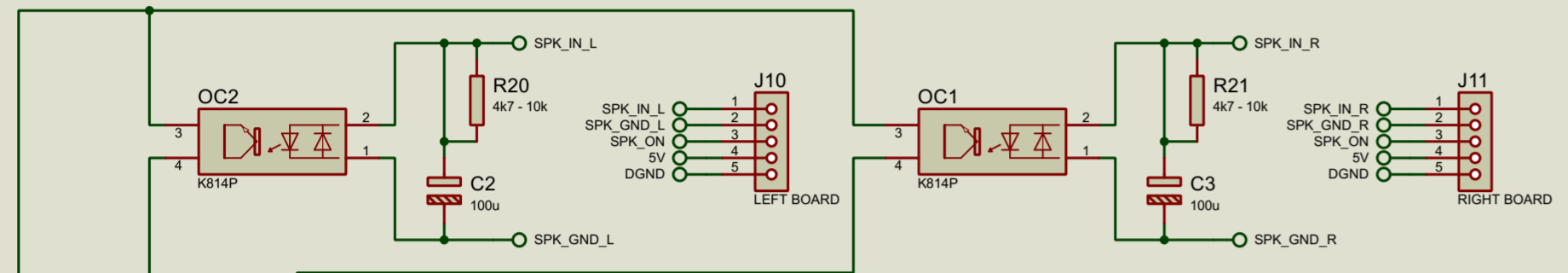
RIGHT terminal board



AC voltage detection

HCPL2502 - Positive logic:

LED	V _o
ON	LOW
OFF	HIGH



PC817 logic: HIGH on the input lights LED on the output.