

## DEEP CYCLE SERIES VRLA BATTERY

By combining up-to-date DCP-II formula in the positive plates and enhanced electrolyte for VRLA, We created an innovative range of DC batteries. This range features deep cycling use with long life. It is especially designed for electricity vehicles, i.e. home mobility equipment, electric road vehicles, golf cart, electric tricycle, washing floor machine and other devices require DC motive power sources.

<b>12 V</b> voltage	<b>22Ah</b> capacity	<b>AGM</b> tech	<b>Enhanced</b> deep cycling
------------------------	-------------------------	--------------------	---------------------------------



ISO9001 ISO14001

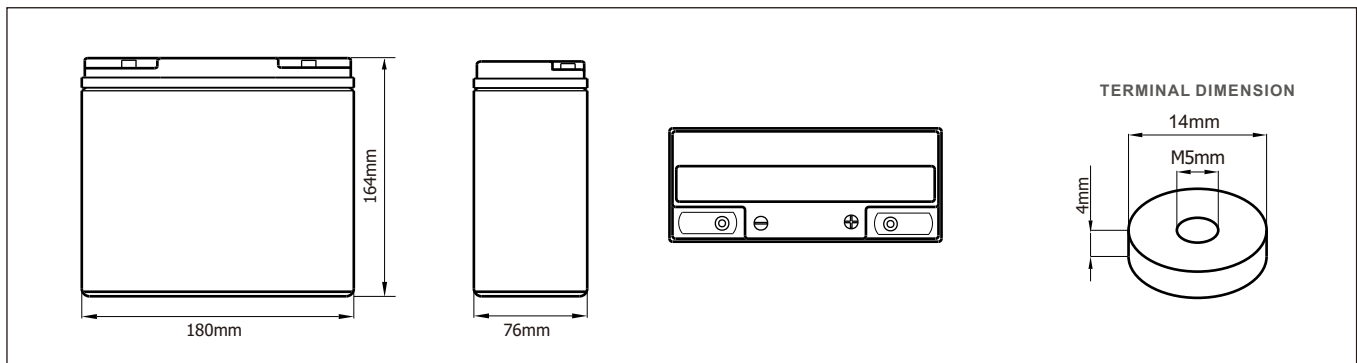
### Complied standards

- IEC61056
- GB/T19639
- GB/T22199
- JIS C8707
- UL1989

### TECHNICAL SPECIFICATIONS

Nominal Voltage (V)	5 (6 cells per unit)
Designed Floating Life (20°C)	5 Years
Nominal Capacity (25°C)	22 Ah @ 10HR-rate (to 1.80Vpc)
Dimension (mm)	L180mm x W76mm x H164mm
Approx. Weight	6.7 kg (14.8 lbs)
Terminal Type	Female Copper Insert M5
Internal Resistance	Approx. 0.009 Ohm (fully charged @ 25°C)
Max. Charge Current	5.5A
Max. Discharge Current (5S)	270 A
Short Circuit Current	1000 A
Self Discharge	Approx. 3% per month @ 20°C
Ambient Temperature	Discharge: -20~60°C Charge: -20~60°C Storage: -20~45°C
Float Charge Voltage	13.6V @25°C (-3mV/ cell/ °C)
Cycle Use Charge Voltage	14.4-14.7V @25°C
Container Material	ABS (UL94-V0 optional)

### BATTERY DIMENSIONS

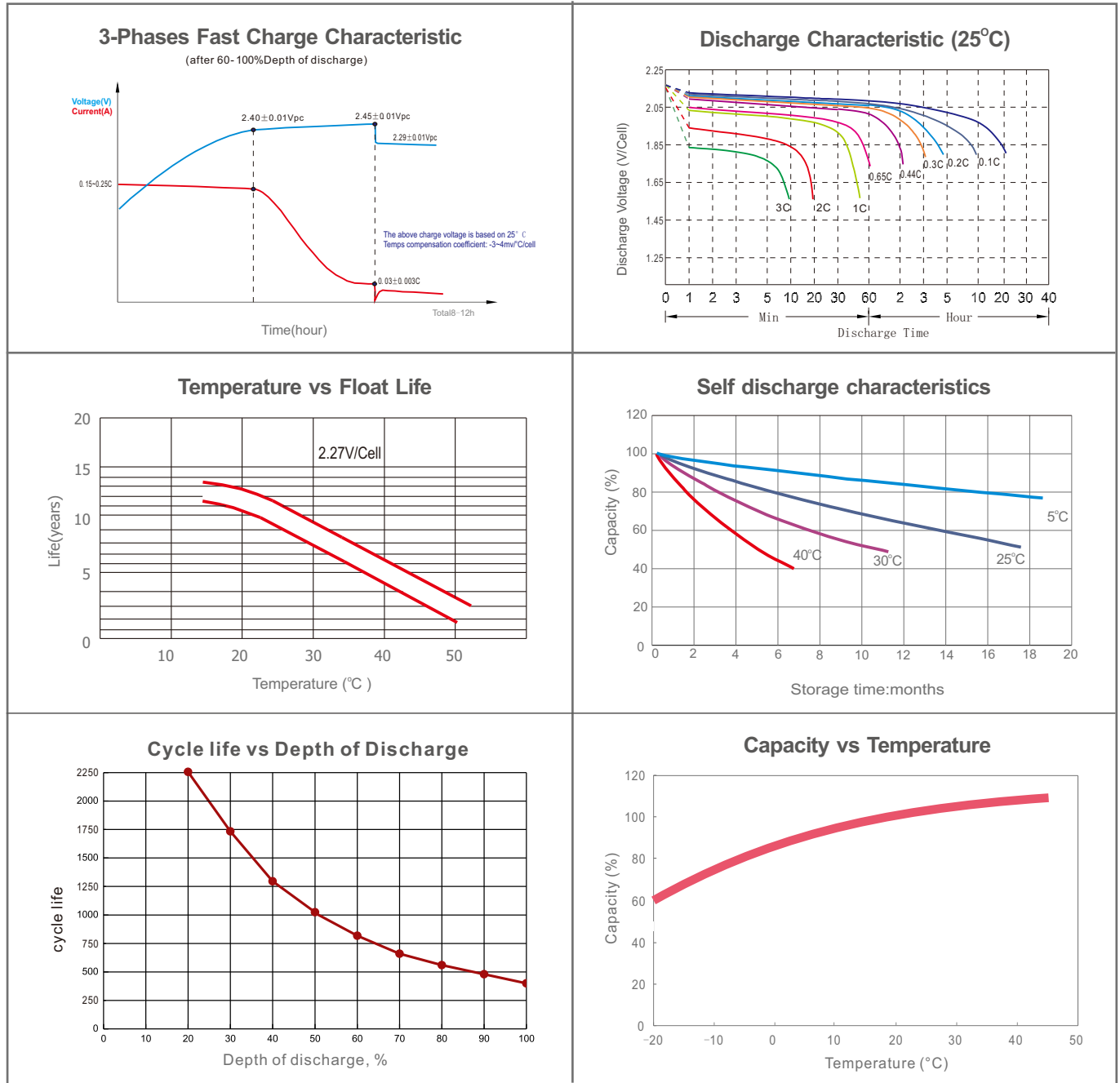


### BATTERY DISCHARGE TABLE

Constant Current Discharge Characteristics: Amps (25°C)											
F.V/Time	10min	15min	30min	1h	2h	3h	4h	5h	8h	10h	20h
1.60V	62.6	48.0	29.2	17.1	10.4	7.28	5.55	4.49	2.84	2.29	1.22
1.67V	60.4	46.3	28.5	16.9	10.3	7.19	5.47	4.43	2.80	2.26	1.19
1.70V	57.8	45.2	28.1	16.6	10.2	7.12	5.40	4.38	2.77	2.23	1.17
1.75V	55.3	44.0	27.4	16.4	10.0	7.05	5.34	4.32	2.73	2.22	1.15
1.80V	52.2	43.0	26.9	16.0	9.89	6.94	5.27	4.27	2.72	2.20	1.12
1.85V	49.2	41.9	26.4	15.8	9.74	6.86	5.23	4.23	2.69	2.17	1.09

Constant Power Discharge Characteristics: W/cell (25°C)											
F.V/Time	10min	15min	30min	1h	2h	3h	4h	5h	8h	10h	20h
1.60V	108	83.7	49.4	29.6	17.5	12.5	9.80	8.00	5.43	4.34	2.23
1.67V	105	81.5	48.6	29.4	17.4	12.4	9.70	7.96	5.41	4.30	2.21
1.70V	102	80.1	48.0	29.2	17.4	12.4	9.66	7.92	5.39	4.28	2.20
1.75V	98.6	78.9	47.4	29.0	17.3	12.4	9.64	7.86	5.37	4.26	2.16
1.80V	94.2	77.8	47.0	28.6	17.2	12.3	9.60	7.84	5.35	4.24	2.12
1.85V	89.9	76.6	46.4	28.4	17.1	12.3	9.59	7.82	5.31	4.22	2.09

**CHARACTERISTICS**



**FINAL VOLTAGE SETTINGS RECOMMENDED ACCORDING TO THE DISCHARGE CURRENT**

Discharge Current I(A)	$I \leq 0.08C$	$0.08C \leq I < 0.2C$	$0.2C \leq I < 0.6C$	$0.6C \leq I < 1.0C$	$I \geq 1.0C$
Final of Voltage	$\geq 1.85Vpc$	$\geq 1.80Vpc$	$\geq 1.75Vpc$	$\geq 1.70Vpc$	$\geq 1.60Vpc$