

THIS DOCUMENT AND THE INFORMATION CONTAINED THEREIN IS FOR THE CONFIDENTIAL USE OF NAIM AUDIO LTD AND THEIR APPOINTED AGENTS. NO PART MAY BE REPRODUCED OR USED ELSEWHERE IN ANY FORM OR BY ANY MEANS WITHOUT THE WRITTEN PERMISSION OF NAIM AUDIO LTD.

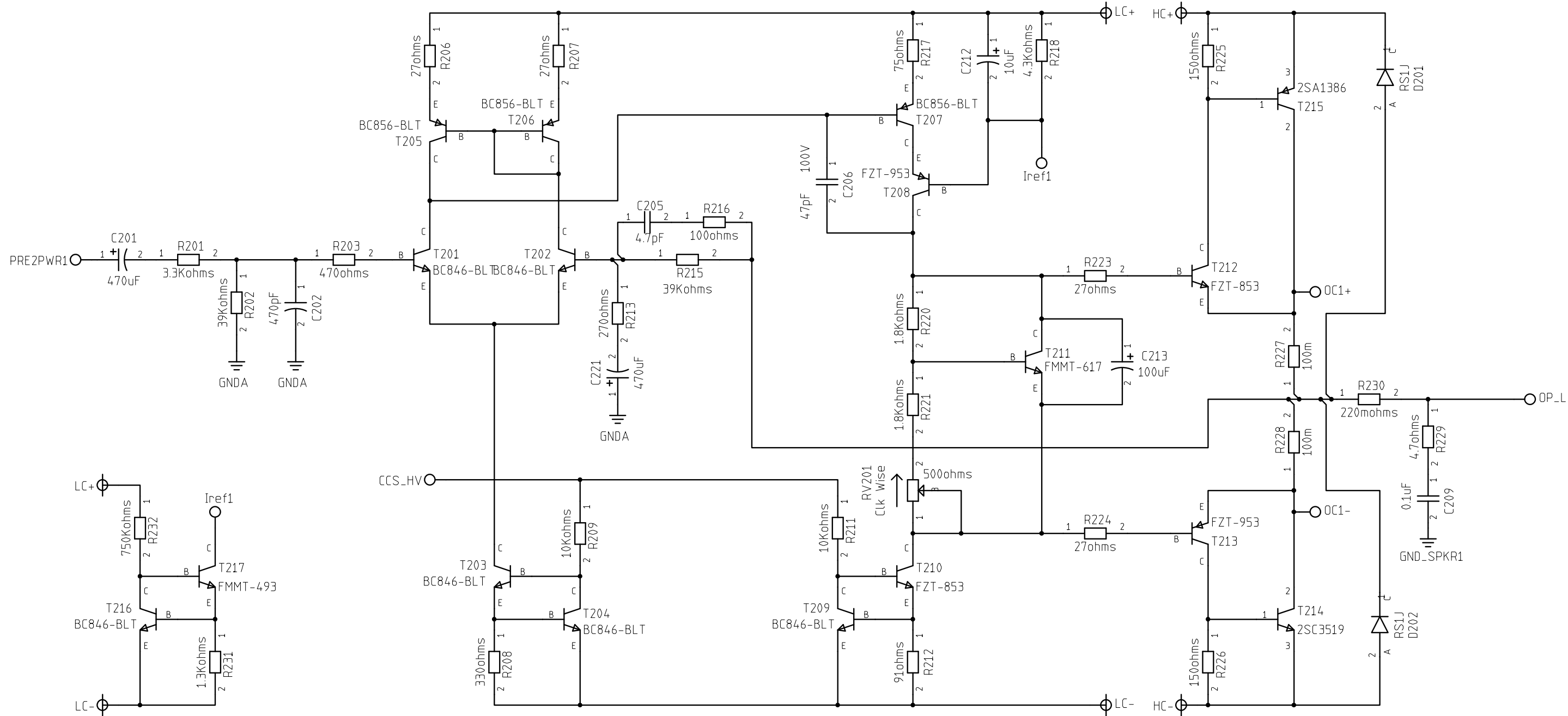
**naim**  
 NAIM AUDIO LTD  
 SOUTHAMPTON ROAD, SALISBURY  
 WILTS, SP1 2LN, ENGLAND  
 tel: 01722 426600 fax: 08702 244702

TITLE: Audio and I/O Connectors  
 DRAWING NUMBER: 01-001-0291 ISSUE: R5-2  
 DRAWN: SS CHECK: DB DATE: 06/01/2012

Nait\_main PAGE: 01  
 OF 06

WARNING! FOR SAFETY REASONS ALL COMPONENTS MUST BE REPLACED WITH FACTORY SUPPLIED PARTS.

Change 470uF caps  
 obsolete  
 to 2222 136 65471  
 see CR3355 (23/02/09)



THIS DOCUMENT AND THE INFORMATION CONTAINED THEREIN IS FOR THE CONFIDENTIAL USE OF NAIM AUDIO LTD AND THEIR APPOINTED AGENTS. NO PART MAY BE REPRODUCED OR USED ELSEWHERE IN ANY FORM OR BY ANY MEANS WITHOUT THE WRITTEN PERMISSION OF NAIM AUDIO LTD.

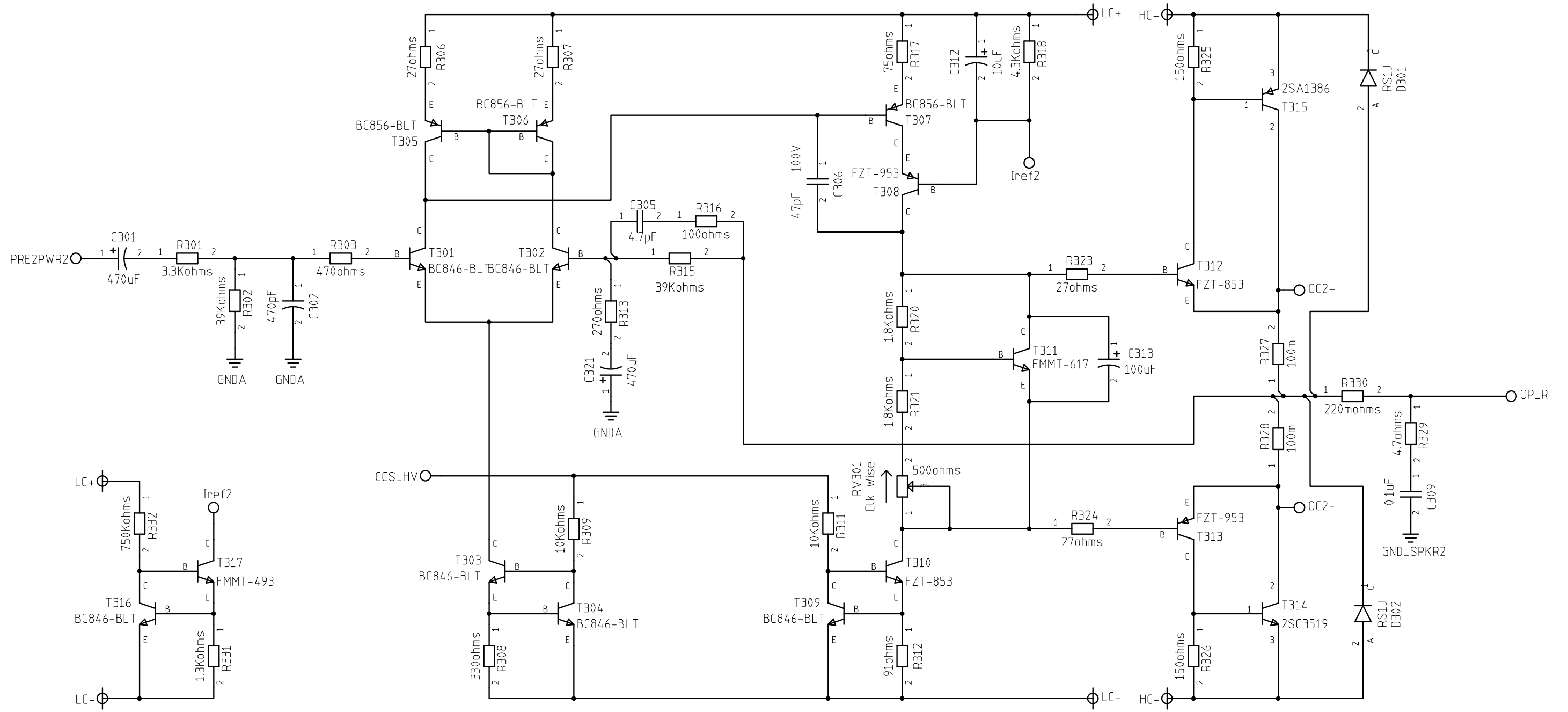


NAIM AUDIO LTD  
 SOUTHAMPTON ROAD, SALISBURY  
 WILTS, SP1 2LN, ENGLAND  
 tel: 01722 426600 fax: 08702 244702

TITLE: Power Amp Ch1 (LEFT)  
 DRAWING NUMBER: 01-001-0291 ISSUE: R5-2  
 DRAWN: SS CHECK: DB DATE: 06/01/2012

Nait\_main PAGE: 02  
 OF 06

WARNING! FOR SAFETY REASONS ALL COMPONENTS MUST BE REPLACED WITH FACTORY SUPPLIED PARTS.



THIS DOCUMENT AND THE INFORMATION CONTAINED THEREIN IS FOR THE CONFIDENTIAL USE OF NAIM AUDIO LTD AND THEIR APPOINTED AGENTS. NO PART MAY BE REPRODUCED OR USED ELSEWHERE IN ANY FORM OR BY ANY MEANS WITHOUT THE WRITTEN PERMISSION OF NAIM AUDIO LTD.

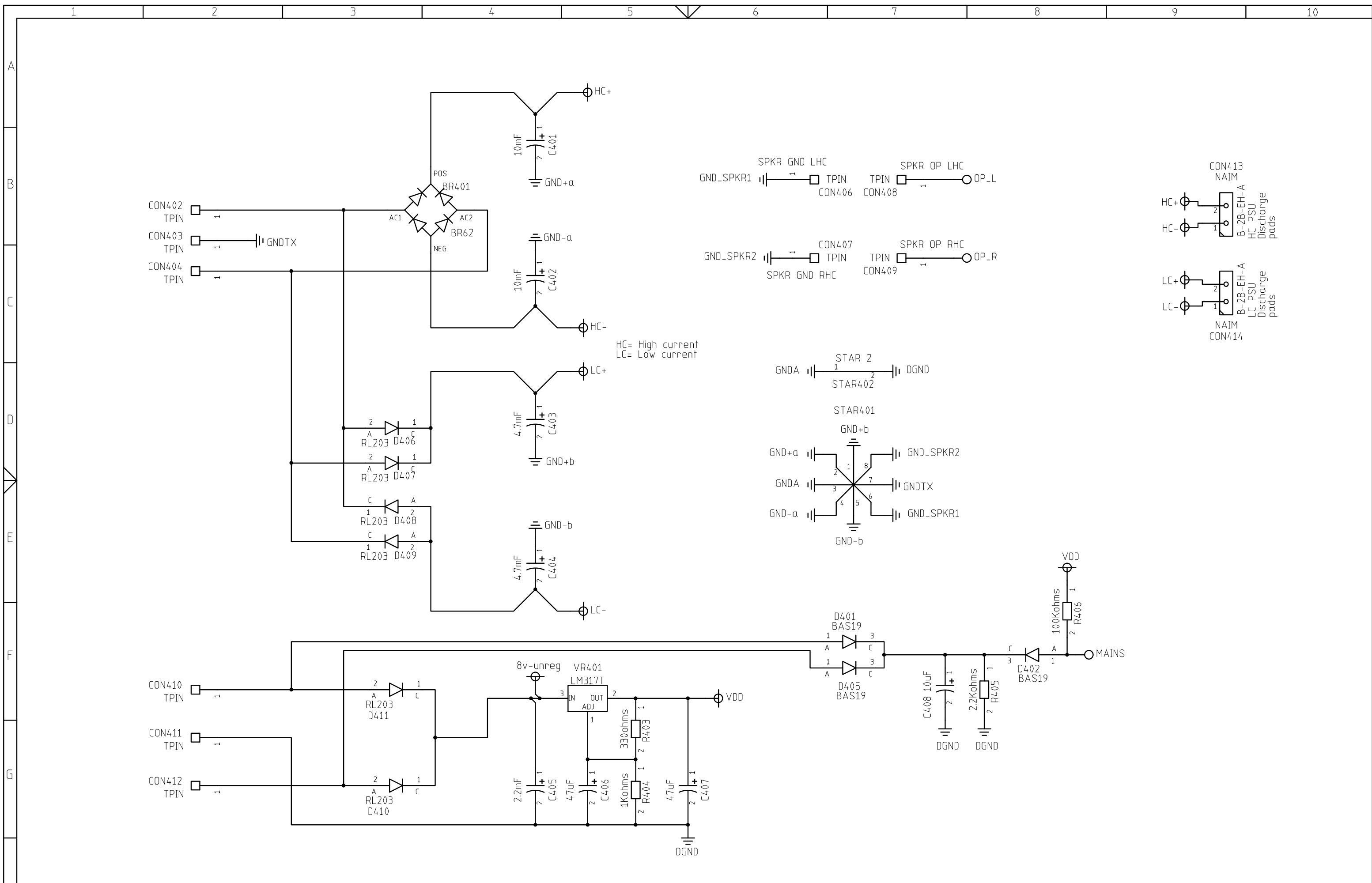


NAIM AUDIO LTD  
 SOUTHAMPTON ROAD, SALISBURY  
 WILTS, SP1 2LN, ENGLAND  
 tel: 01722 426600 fax: 08702 244702

TITLE: Power Amp Ch2 (RIGHT)  
 DRAWING NUMBER: 01-001-0291 ISSUE: R5-2  
 DRAWN: SS CHECK: DB DATE: 06/01/2012

Nait\_main PAGE: 03  
 OF 06

WARNING! FOR SAFETY REASONS ALL COMPONENTS MUST BE REPLACED WITH FACTORY SUPPLIED PARTS.



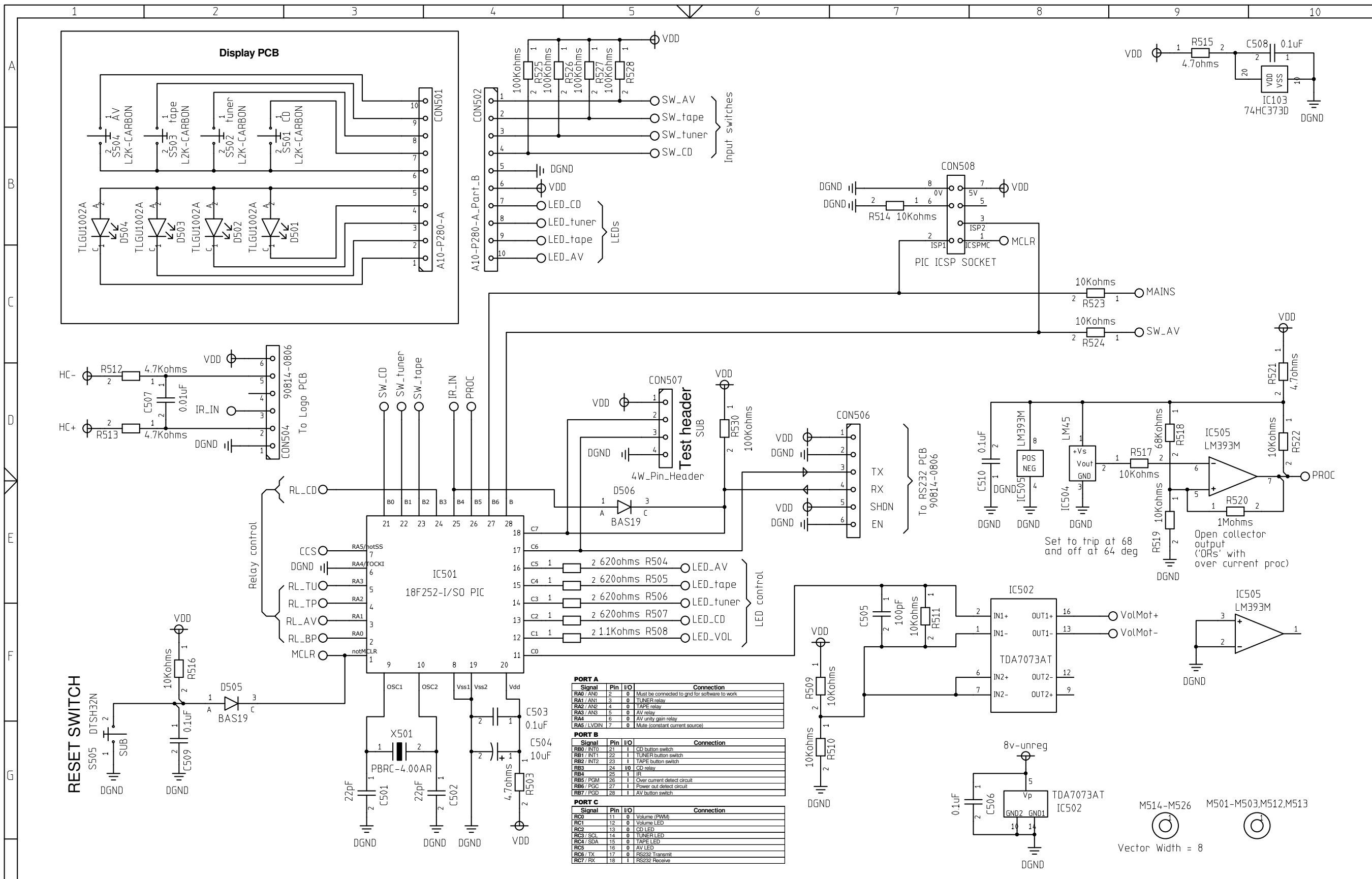
HC= High current  
LC= Low current

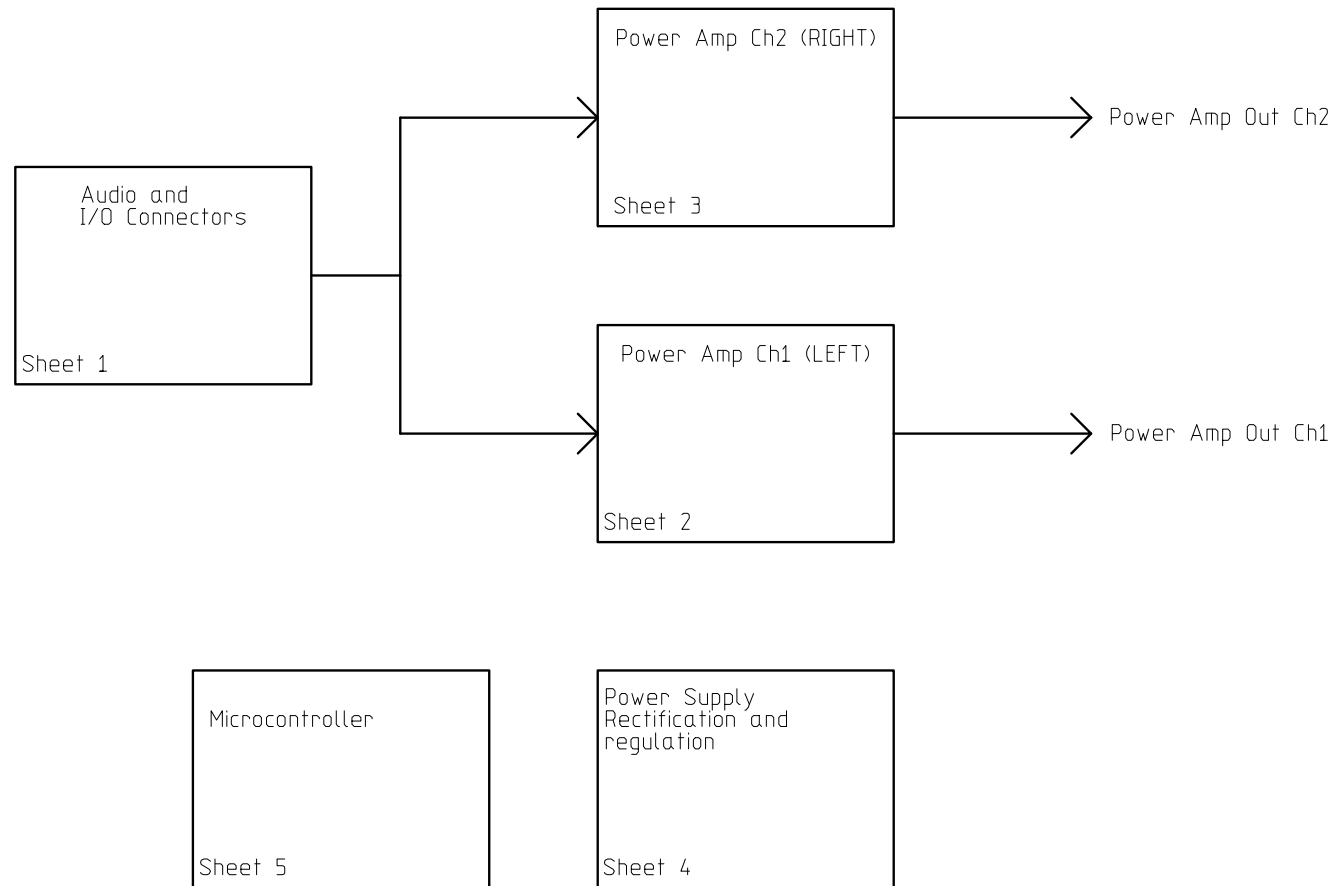
THIS DOCUMENT AND THE INFORMATION CONTAINED THEREIN IS FOR THE CONFIDENTIAL USE OF NAIM AUDIO LTD AND THEIR APPOINTED AGENTS. NO PART MAY BE REPRODUCED OR USED ELSEWHERE IN ANY FORM OR BY ANY MEANS WITHOUT THE WRITTEN PERMISSION OF NAIM AUDIO LTD.

**naim**  
 NAIM AUDIO LTD  
 SOUTHAMPTON ROAD, SALISBURY  
 WILTS, SP1 2LN, ENGLAND  
 tel: 01722 426600 fax: 08702 244702

TITLE: Power Supply Regulation  
 DRAWING NUMBER: 01-001-0291 ISSUE: R5-2  
 DRAWN: SS CHECK: DB DATE: 06/01/2012

Nait\_main PAGE: 04  
 OF 06





THIS DOCUMENT AND THE INFORMATION CONTAINED THEREIN IS FOR THE CONFIDENTIAL USE OF NAIM AUDIO LTD AND THEIR APPOINTED AGENTS. NO PART MAY BE REPRODUCED OR USED ELSEWHERE IN ANY FORM OR BY ANY MEANS WITHOUT THE WRITTEN PERMISSION OF NAIM AUDIO LTD.



NAIM AUDIO LTD  
SOUTHAMPTON ROAD, SALISBURY  
WILTS, SP1 2LN, ENGLAND  
tel: 01722 426600 fax: 08702 244702

TITLE: NAIT Sii - Block Diagram		
DRAWING NUMBER: 01-001-0291 ISSUE: R5-2		
DRAWN: SS	CHECK: DB	DATE: 06/01/2012

WARNING! FOR SAFETY REASONS ALL COMPONENTS MUST BE REPLACED WITH FACTORY SUPPLIED PARTS.