

NOTES:

- CHECK BOMS FOR DIFFERENT VALUES (SEE TABLE 1) AND POPULATION OPTIONS.

REV #	DATE	REVISION	APPRVD
PCB B REV 2	5/24/96	PILOT AND BETA PRODUCTION RELEASE	RM
PCB B REV 3	6/25/96	NO ELECTRICAL CHANGES	RM
PCB D REV 5	01/08/97	ADDED D30	PAJ
PCB E REV 6	03/30/98	ADDED SENSE CIRCUIT PER ECO	PAJ/SD
PCB F REV 7	09/25/98	REV PER COMP VALUES/DFM ISSUES	PAJ/DN
PCB F REV 8	3/25/99	ADDED BKS00IACH OPTION	PAJ/PF

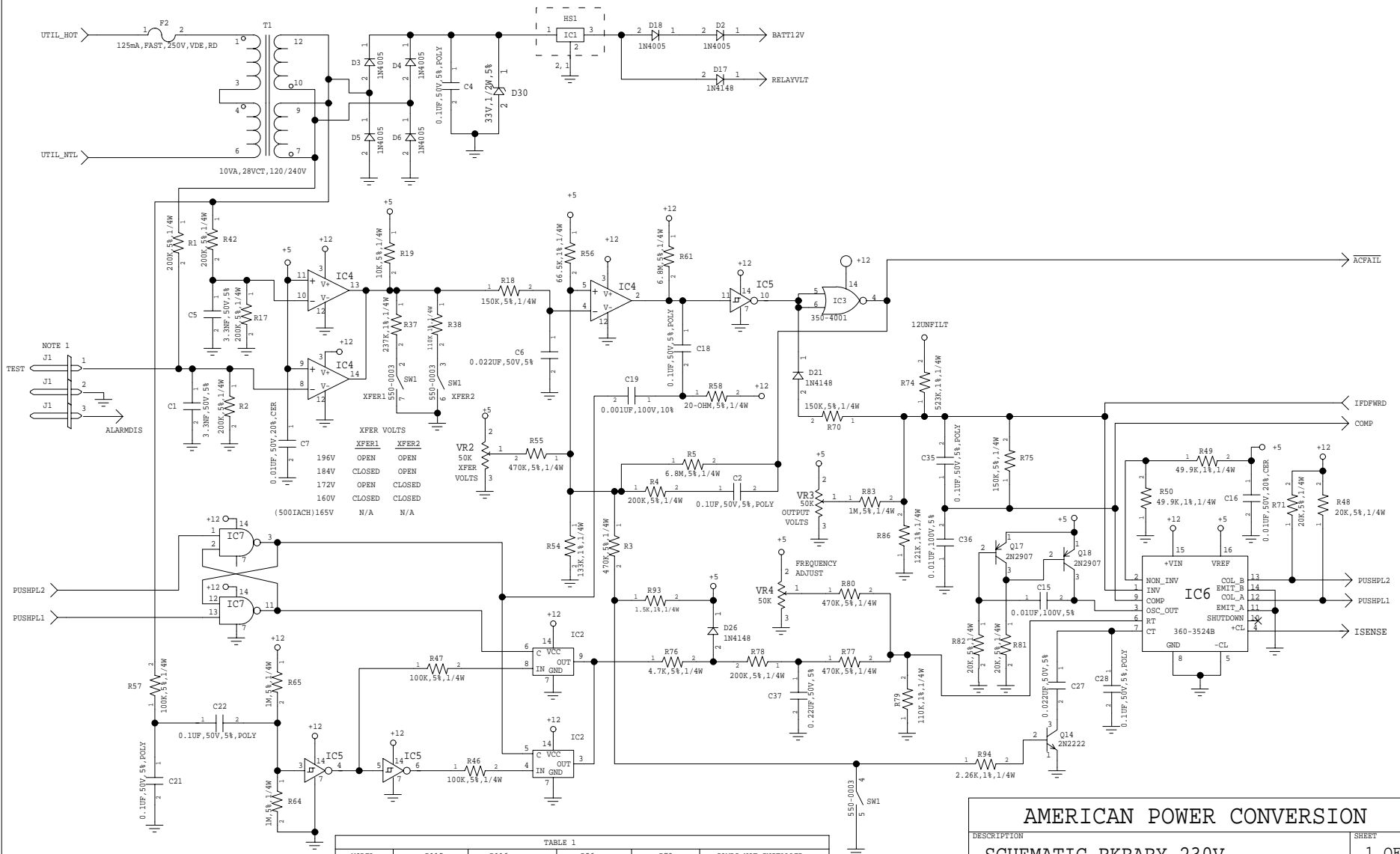
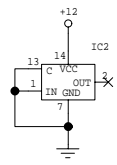
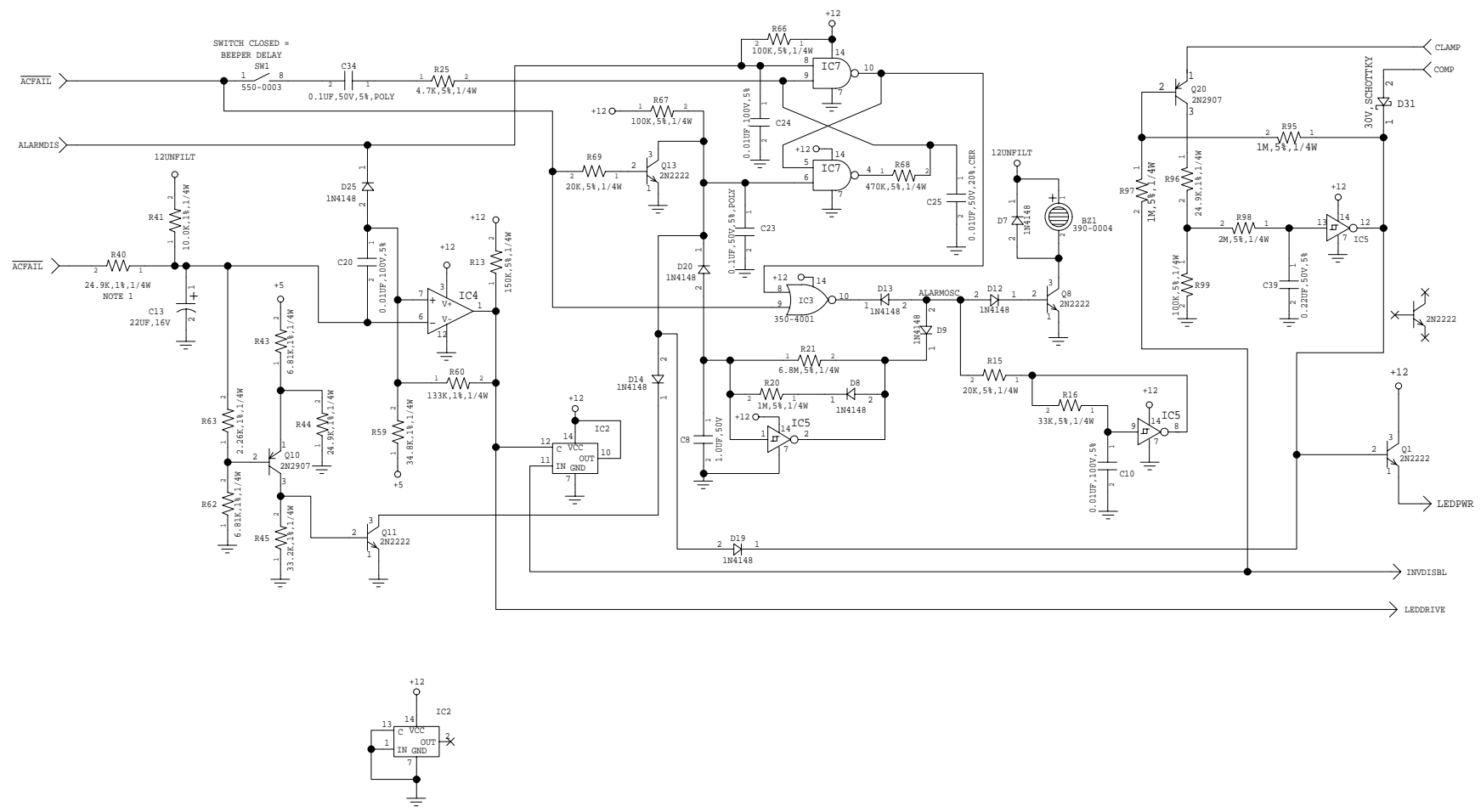


TABLE 1

MODEL	R115	R116	R56	R79	COMPS NOT INSTALLED
300MI	4.02K 1/4W 1%	49.9K 1/4W 1%	56.5K 1/4W 1%	110K 1/4W 1%	N/A
500MI	4.75K 1/4W 1%	10K 1/4W 1%	56.5K 1/4W 1%	110K 1/4W 1%	N/A
500IACH	4.75K 1/4W 1%	10K 1/4W 1%	49.9K 1/4W 1%	121K 1/4W 1%	R3, R25, R37, R38, R98, R94, SW1, J1, C27, C34, Q14

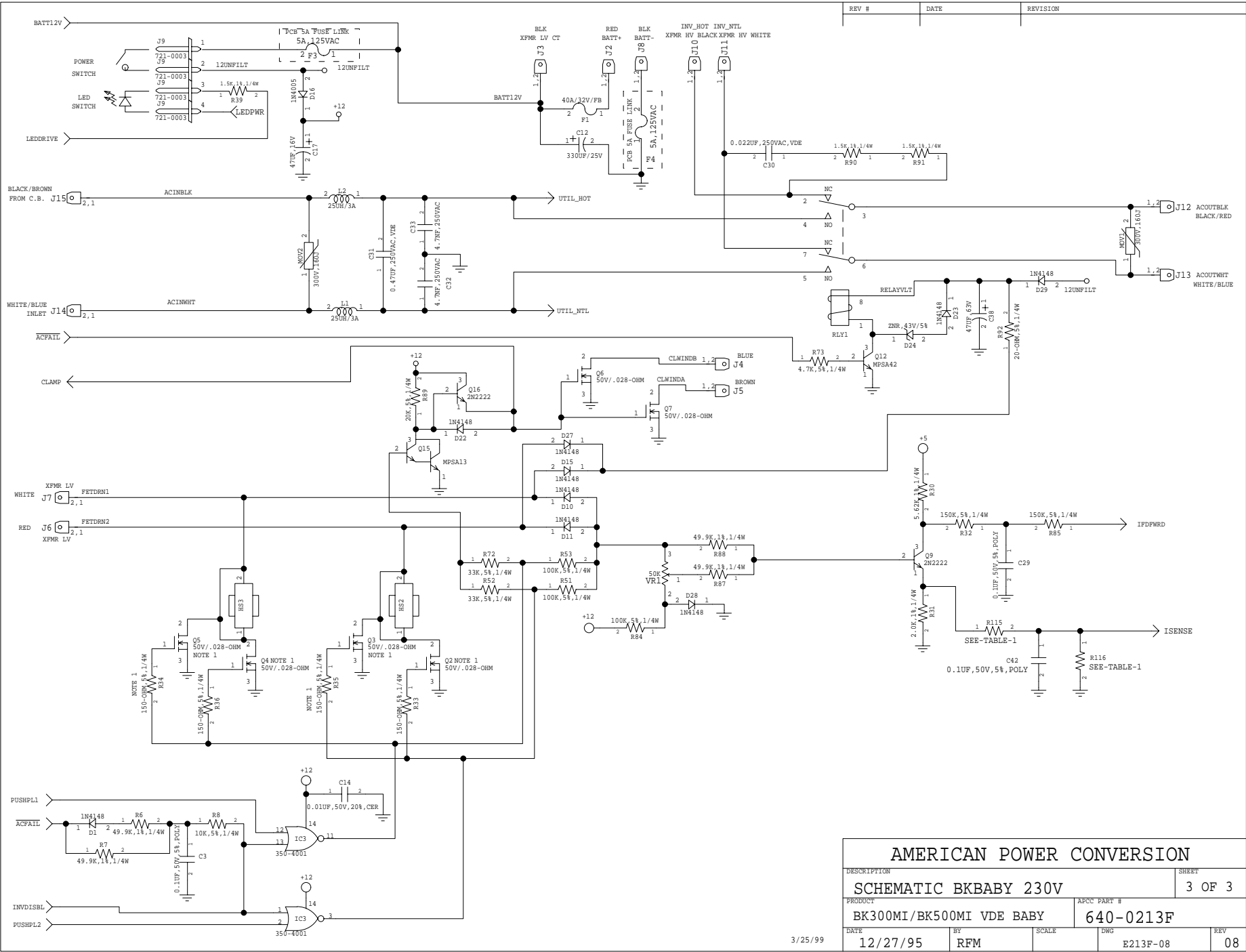
**AMERICAN POWER CONVERSION**

DESCRIPTION		SHEET	
SCHEMATIC BKBABY 230V		1 OF 3	
PRODUCT	APCC PART #		
BK300MI/BK500MI VDE BABY	640-0213F		
DATE	BY	SCALE	DWG
12/27/95	RFM		E213F-08
			REV
			08



<b>AMERICAN POWER CONVERSION</b>					
DESCRIPTION					SHEET
<b>SCHEMATIC BKBABY 230V</b>					2 OF 3
PRODUCT				APCC PART #	
BK300MI/BK500MI VDE BABY				640-0213F	
DATE	BY	SCALE	DWG	REV	
12/27/95	RFM			E213F-08	08

3/25/99



REV #	DATE	REVISION

AMERICAN POWER CONVERSION			
DESCRIPTION	SCHEMATIC BKBABY 230V		SHEET 3 OF 3
PRODUCT	BK300MI/BK500MI VDE BABY	APCC PART #	640-0213F
DATE	12/27/95	BY	RFM
SCALE		DWG	E213F-08
REV			08

3/25/99