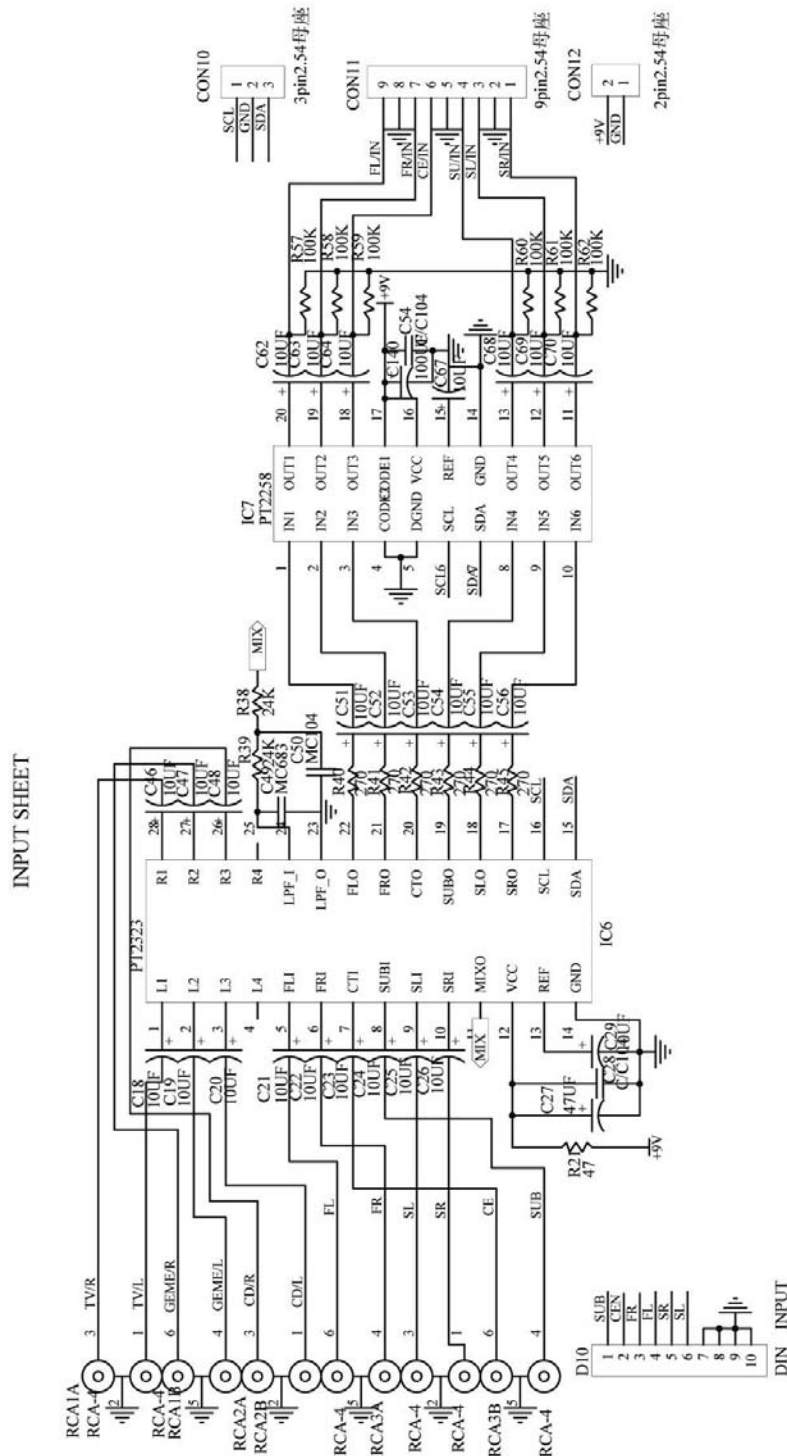


Chapter 7. Circuit schematic

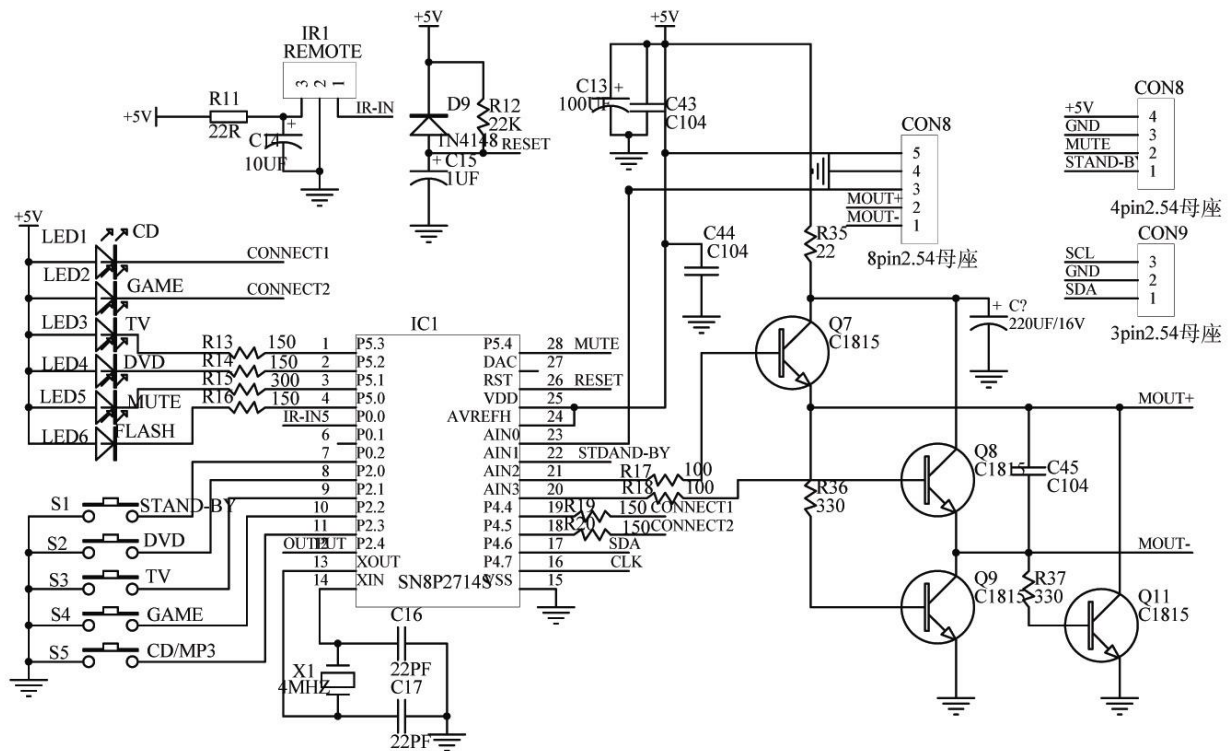
1



Chapter 7. Circuit schematic

2

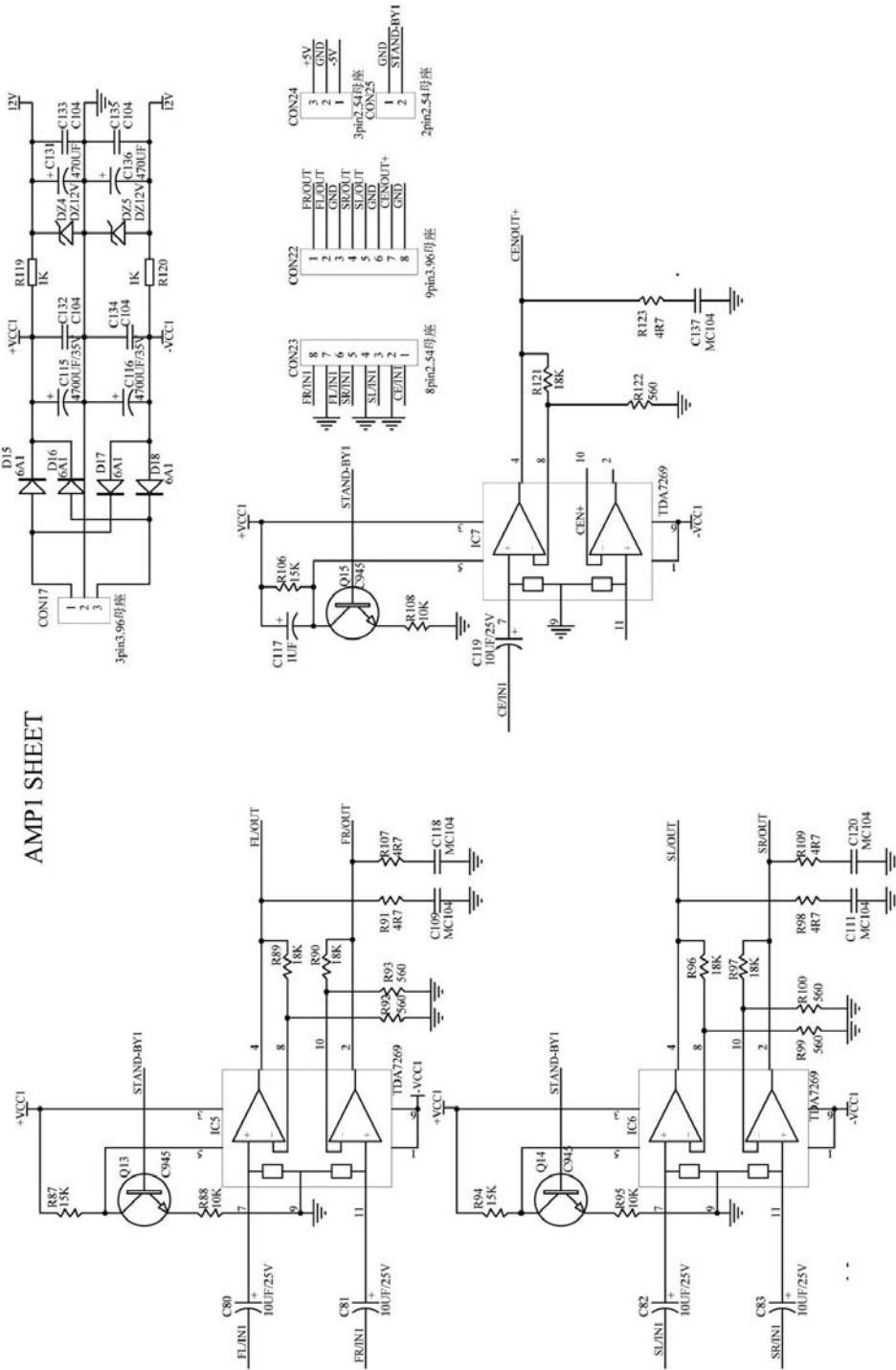
MCU SHEET



Chapter 7. Circuit schematic

3

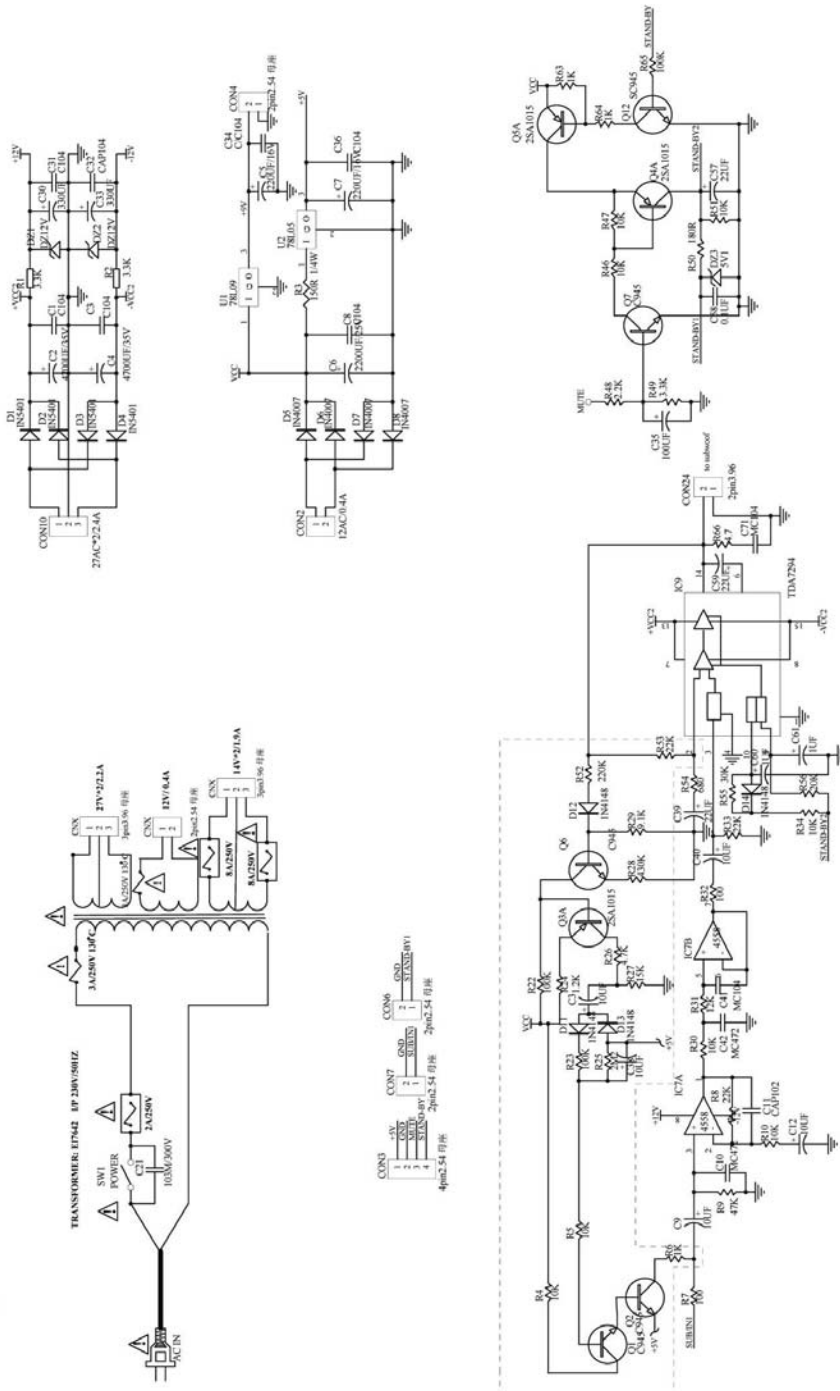
AMP1 SHEET



Chapter 7. Circuit schematic

5

AMP2 SHEET



Chapter 7. Circuit schematic

6

OUTPUT

