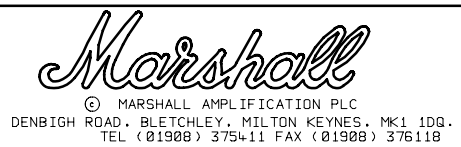


DRAWN	DATE		
L. VEIGNAL	18-09-02		
MODEL			
	MF350		
ISS	ECO NUMBER	DATE	

3	2277	5-12-02
2	2214	24-10-02
ISS	ECO NUMBER	DATE



TITLE	SHT 1 OF 2
PRE AMP CIRCUIT (L)	
DWG.No	MF350-60-02
ISS	3

DWG. No. MF350-60-02

1

2

3

F

5

6

1

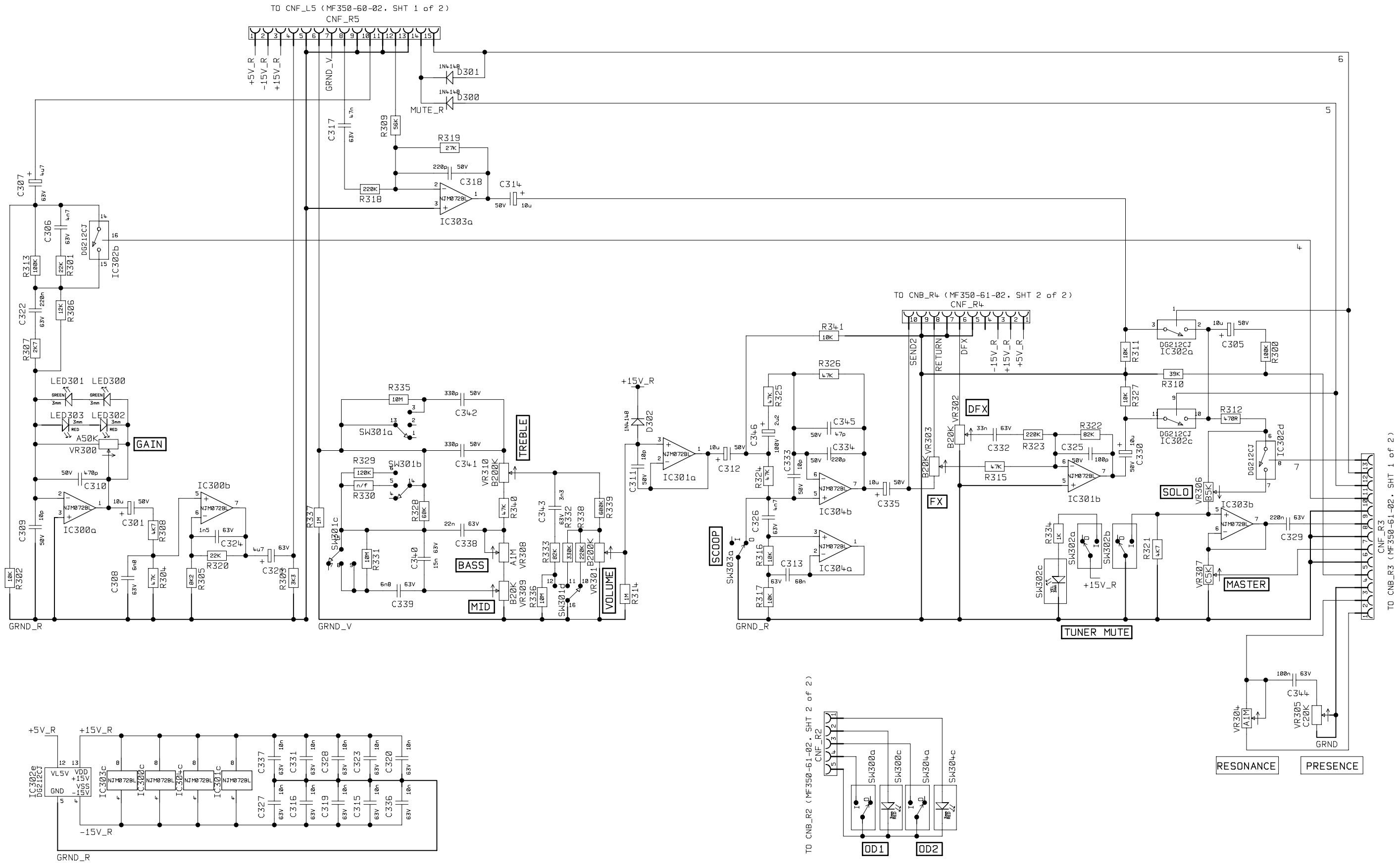
2

3

F

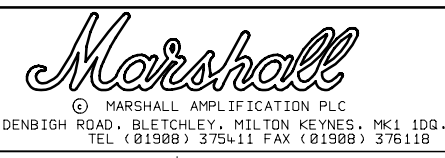
5

6



DRAWN	L. VEIGNAL	DATE	23-09-02
MODEL	MF350	ISS	ECO NUMBER

3	2277	5-12-02
2	2214	24-10-02
ISS	ECO NUMBER	DATE



TITLE	SHT 2 OF 2
PRE AMP CIRCUIT (R)	
DWG.No	MF350-60-02
ISS	3

DWG.No. MF350-61-02

SAFETY CRITICAL COMPONENTS
COMPONENTS MUST BE REPLACED
WITH THE SAME TYPE AND
RATING ONLY.

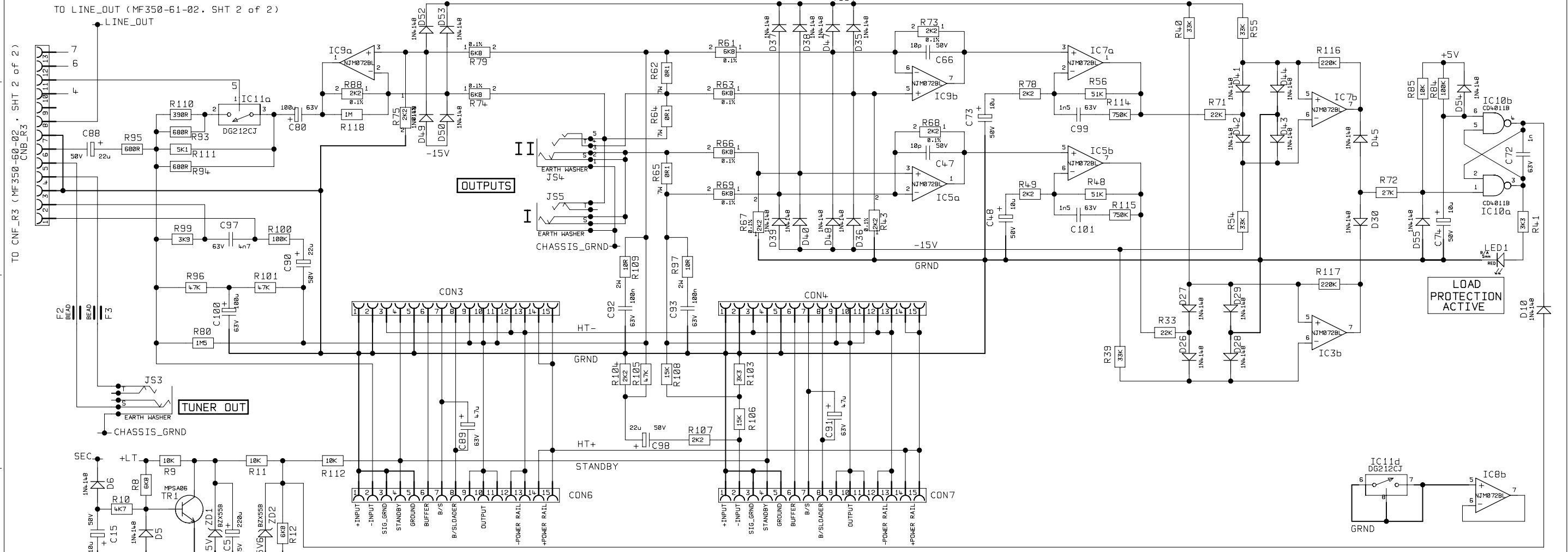
WARNING
350 Watt Bridged Power Stage.
DO NOT connect either side
of the output to GROUND.

TRANSFORMER MAINS
TYPE D2717 = 230V
TYPE D2782 = 117V
TYPE D2783 = 105V

MAINS SWITCH
PART NO
240V = C1353VQNAQ
120V = C1353VQNAQ

PART NUMBER
06SS1

T4A L = 230V
T8A L = 120V



DRAWN	DATE		
L.VEIGNAL	11-10-02		
MODEL		3	2277
		2	2214
		ISS	ECO NUMBER
			DATE

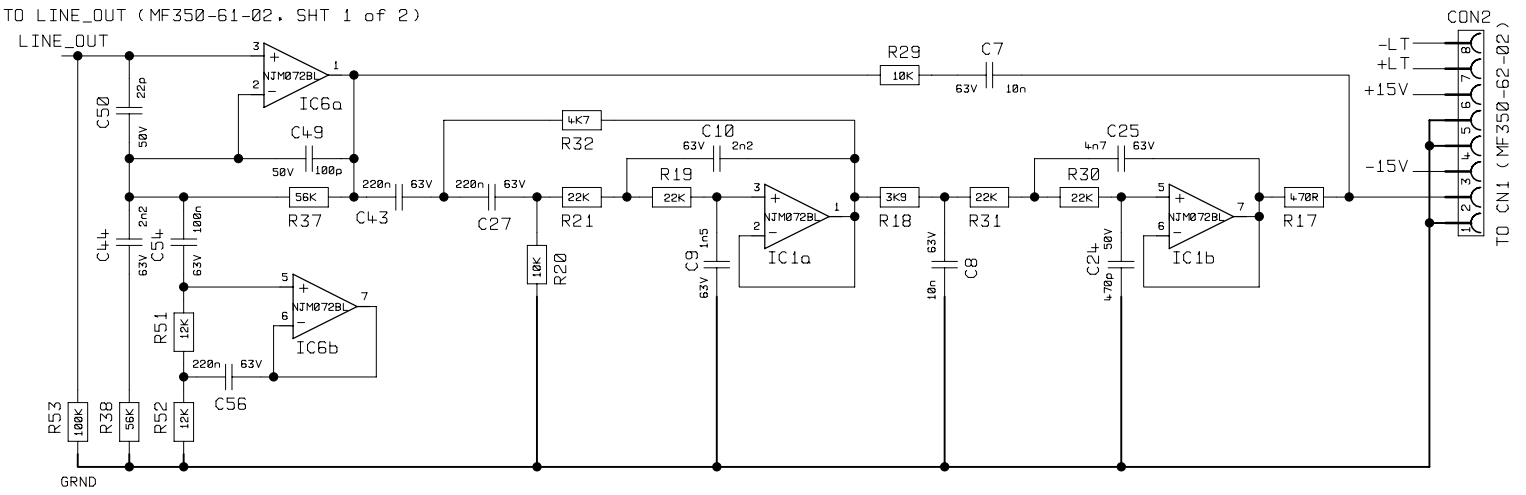
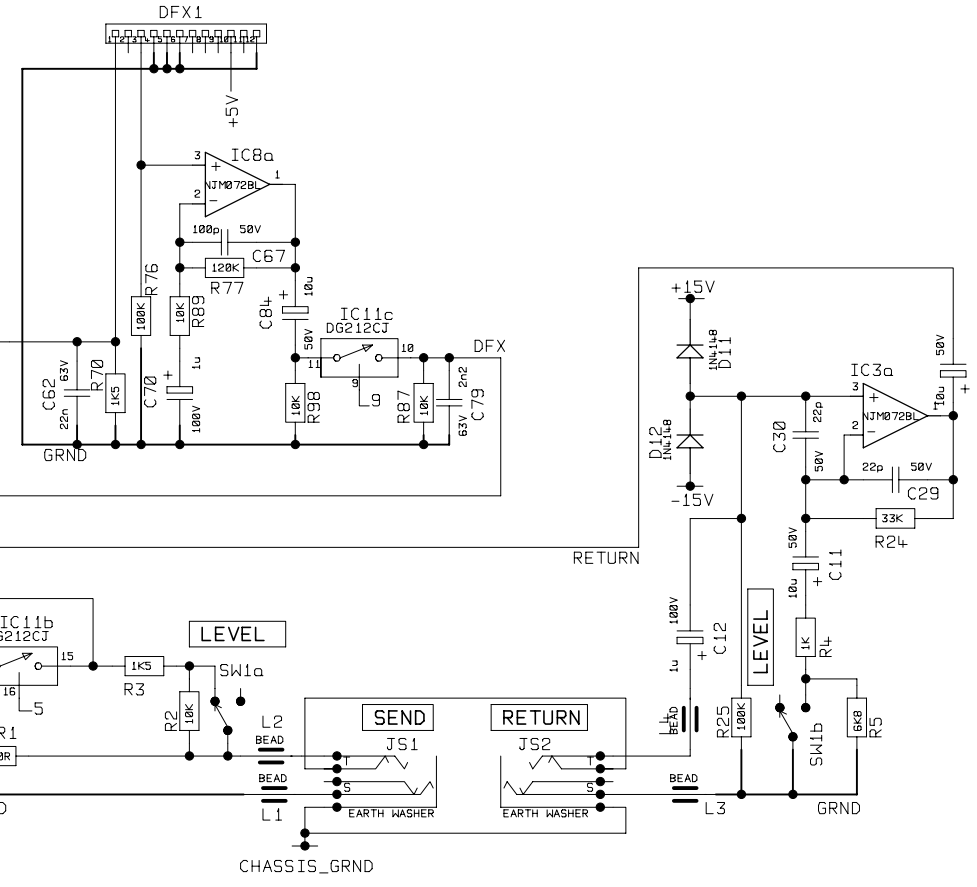
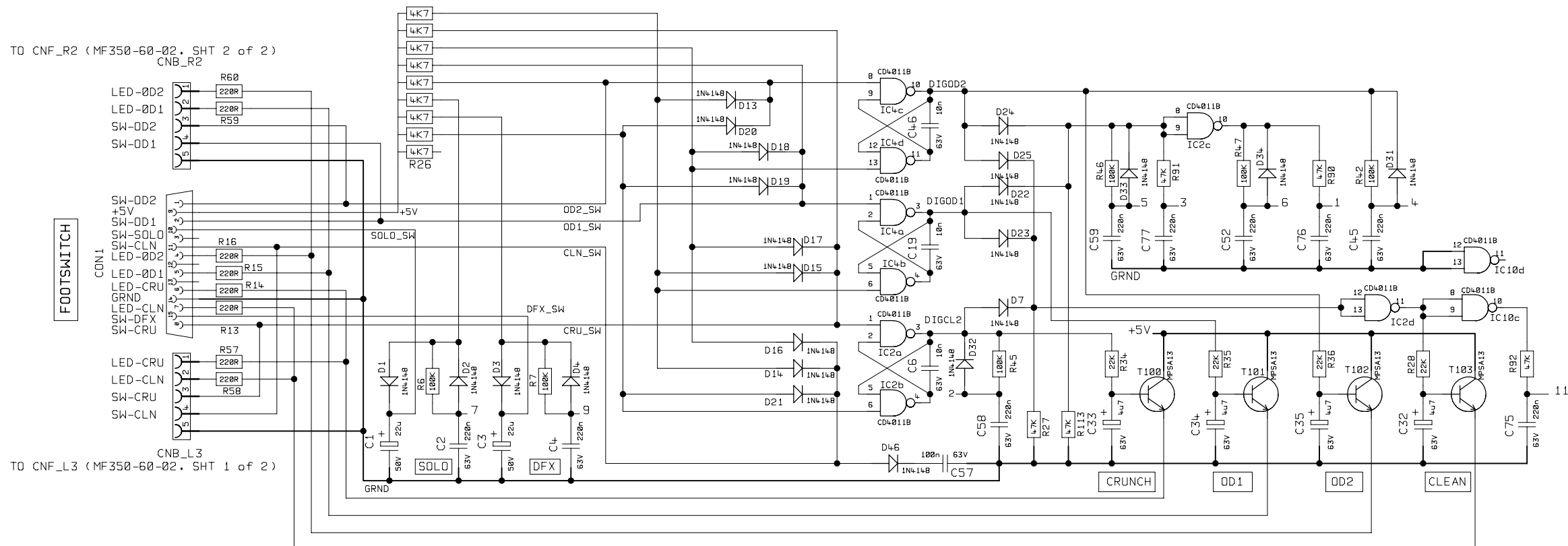


TITLE	SHT 1 OF 2
POWER AMP CIRCUIT	
DWG.No	MF350-61-02
ISS	3

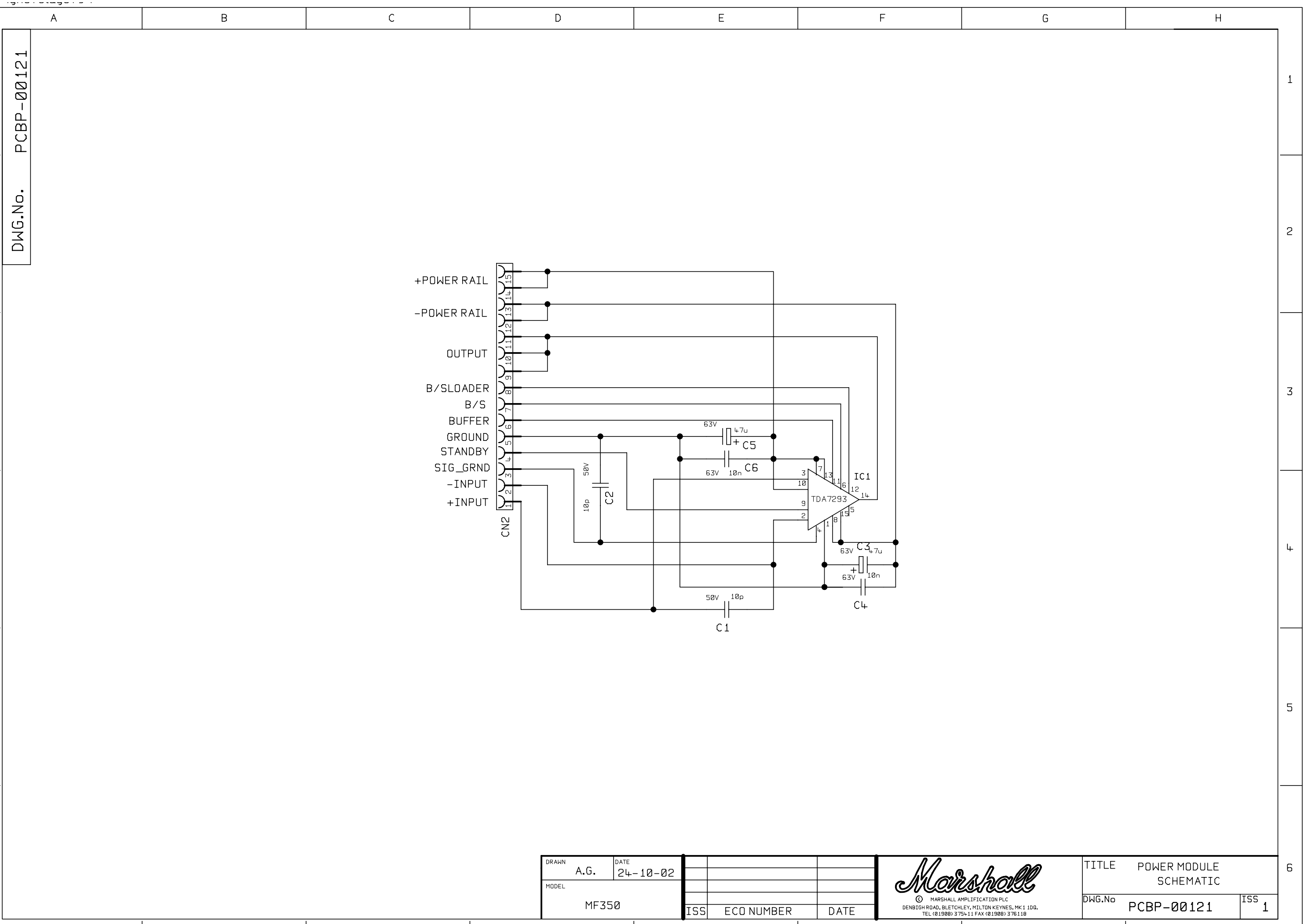
DWG.No. MF350-61-02

TO CNF_L4 (MF350-60-02. SHT 1 of 2)

TO CNF_R4 (MF350-60-02. SHT 2 of 2)



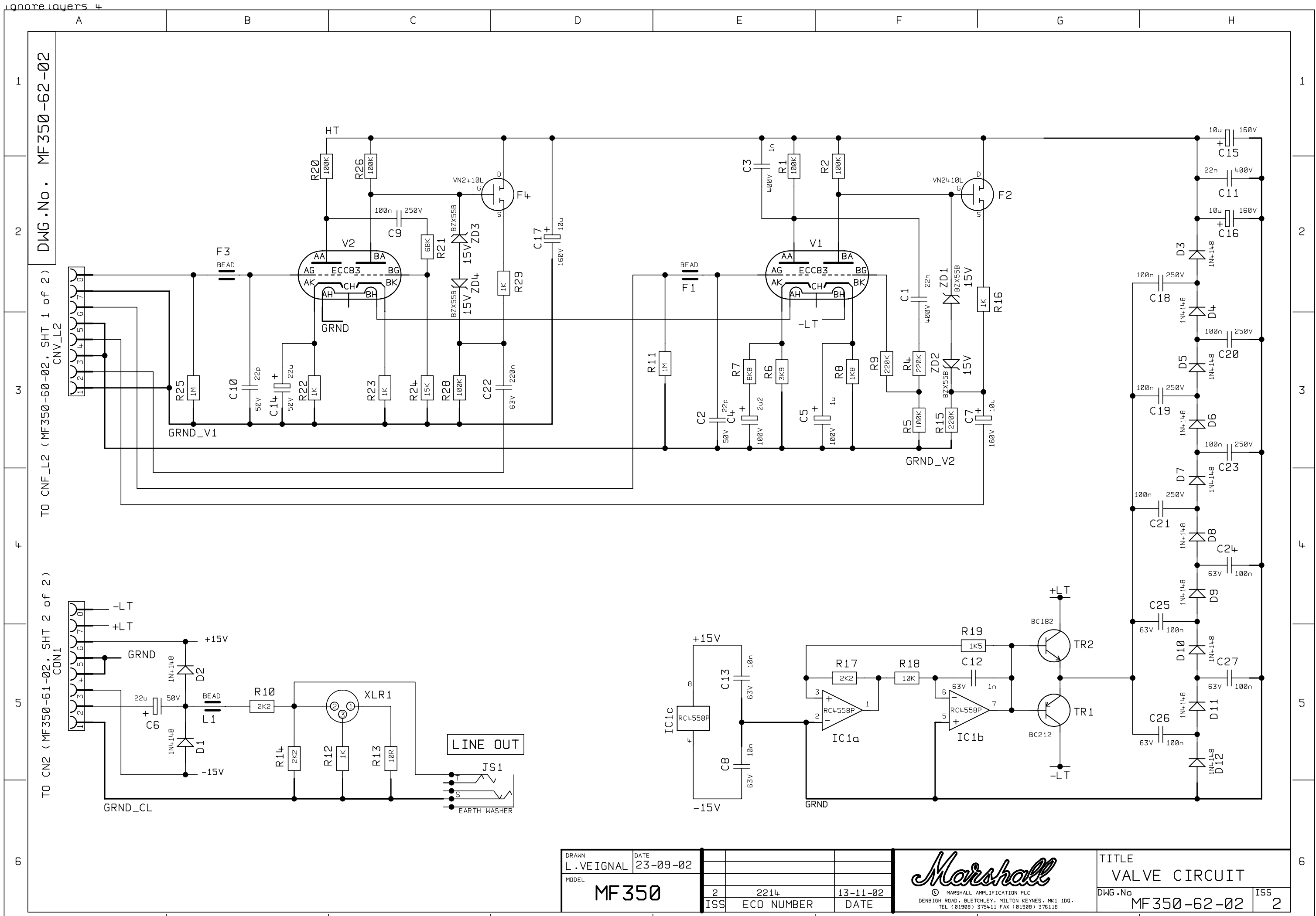
DRAWN L.VEIGNAL MODEL MF350 ISS	DATE 11-10-02 ISS ECO NUMBER DATE	DATE 5-12-02 13-11-02	MARSHALL AMPLIFICATION PLC DENBIGH ROAD, BLETCHLEY, MILTON KEYNES, MK1 1DQ. TEL (01908) 375411 FAX (01908) 376118	TITLE POWER AMP CIRCUIT DWG.No MF350-61-02 ISS 3
---	---	-----------------------------	---	---



DWG.No. PCBP-00121

1
2
3
F
5
6

DRAWN A.G.	DATE 24-10-02			 <small>© MARSHALL AMPLIFICATION PLC DENBIGH ROAD, BLETCHEY, MILTON KEYNES, MK1 10Q. TEL (01908) 375411 FAX (01908) 376118</small>	TITLE POWER MODULE SCHEMATIC
MODEL MF350	ISS	ECO NUMBER	DATE		DWG.No PCBP-00121



DRAWN	DATE		
L.VEIGNAL	23-09-02		
MODEL			
MF350			

ISS	ECO NUMBER	DATE
2	2214	13-11-02



TITLE	
VALVE CIRCUIT	
DWG.No	MF350-62-02
ISS	2