

Benjamin Vedder

Sheet: /
File: vesc_hp_v1.sch

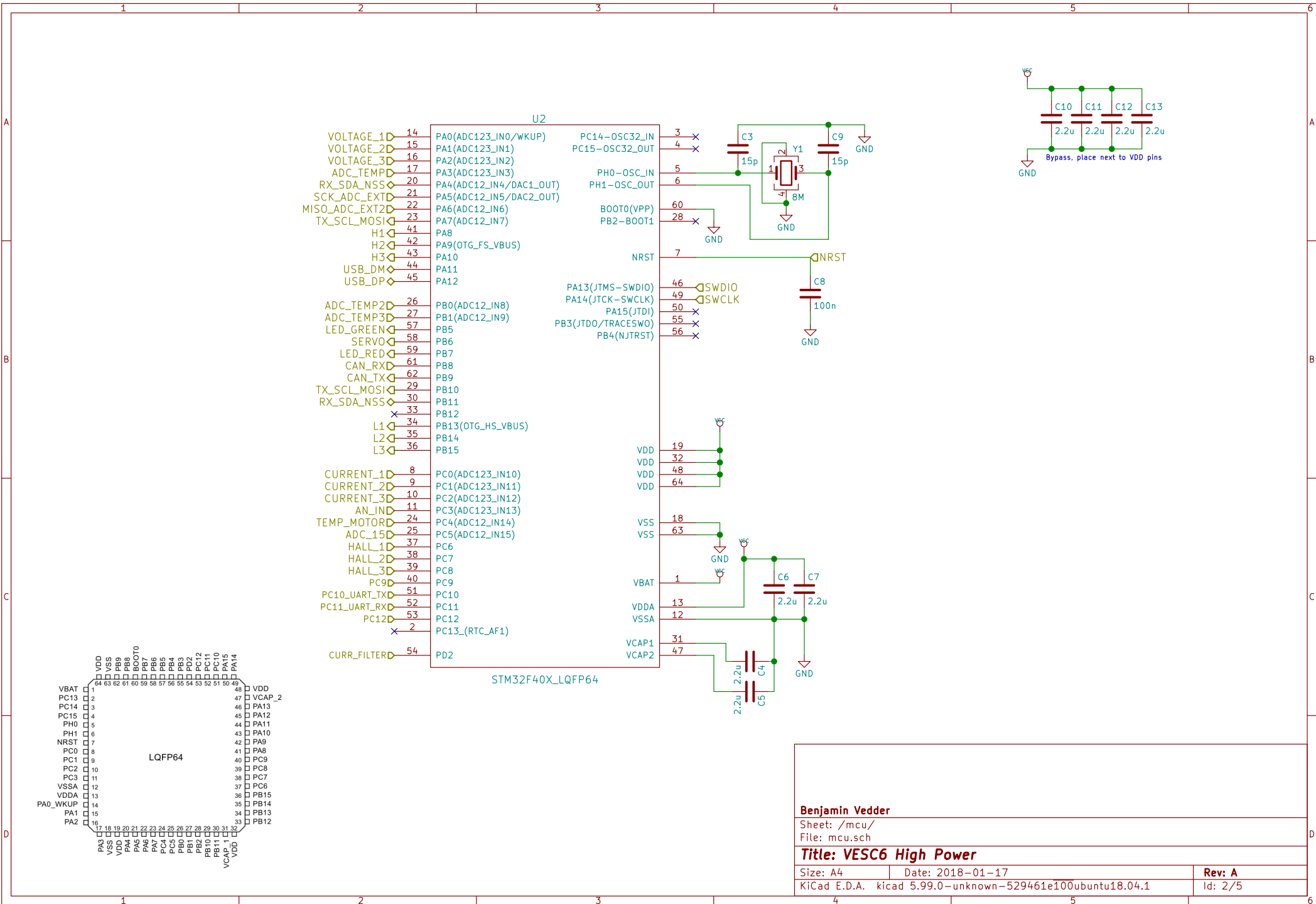
Title: VESC6 High Power

Size: A4 Date: 2018-01-17

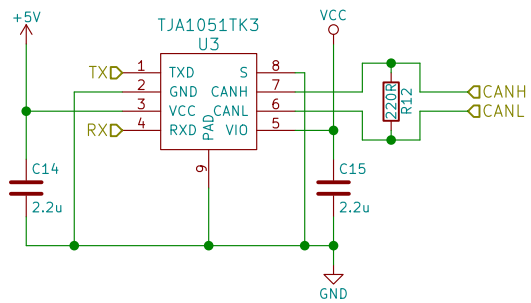
KiCad E.D.A. kicad 5.99.0-unknown-529461e100ubuntu18.04.1

Rev: A

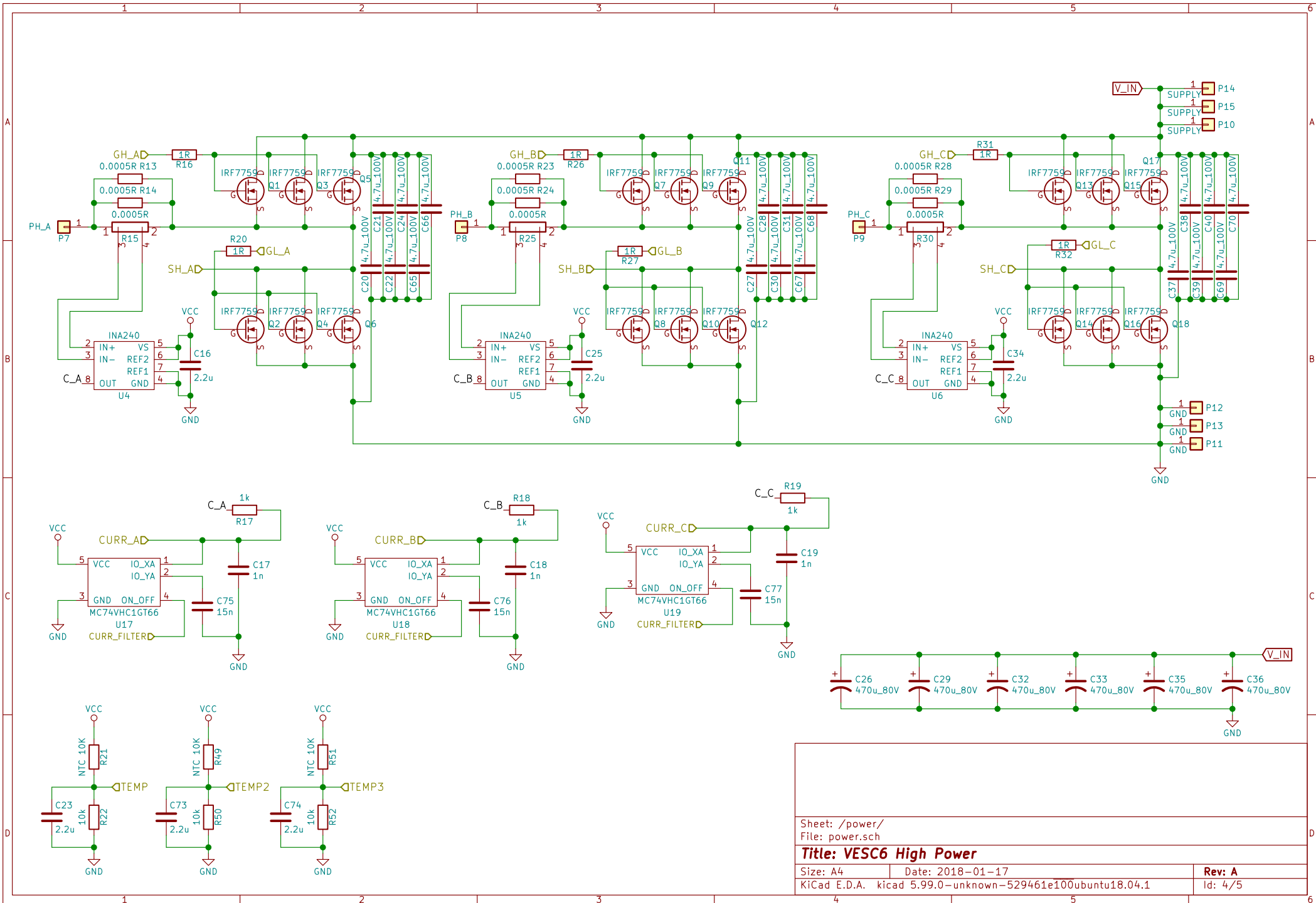
Id: 1/5

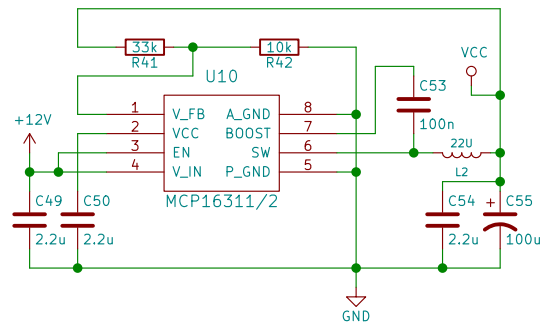
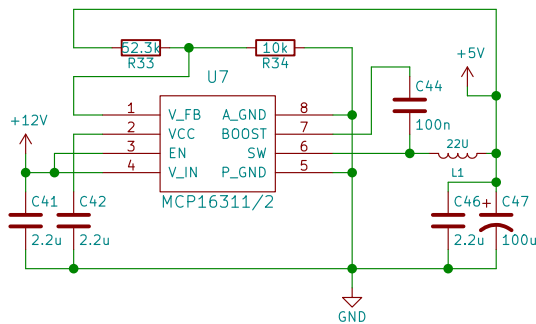
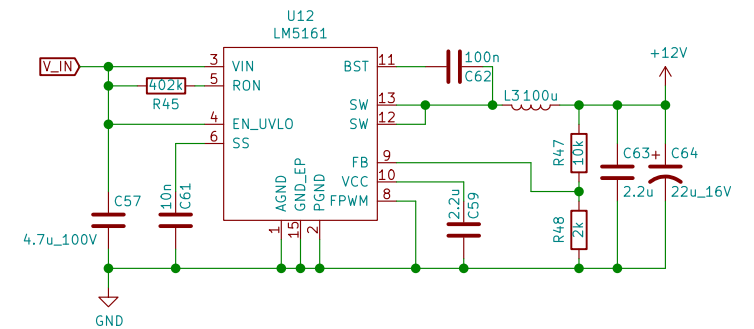
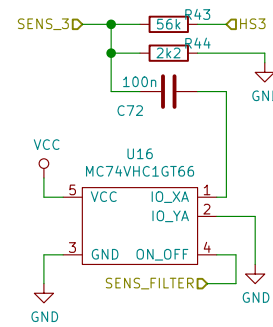
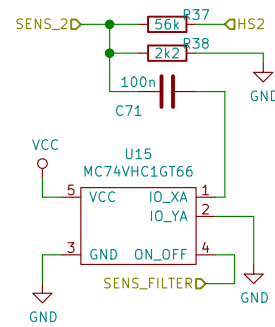
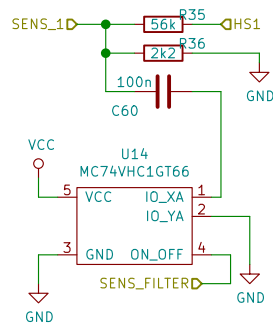
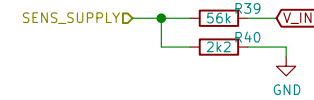
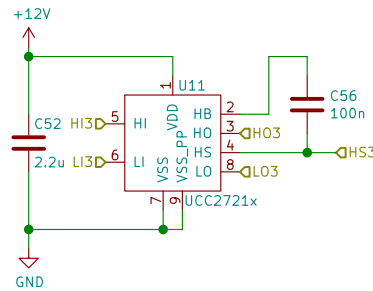
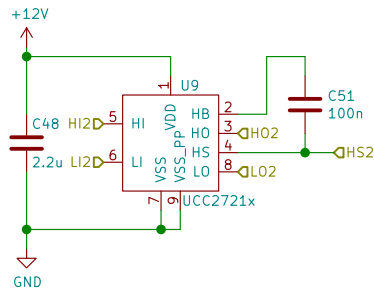
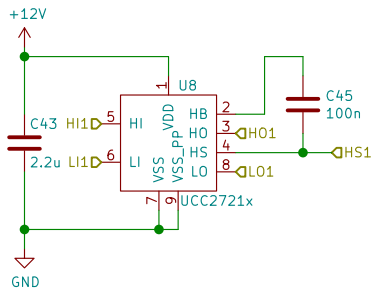


Benjamin Vedder	
Sheet: /mcu/	
File: mcu.sch	
Title: VESC6 High Power	
Size: A4	Date: 2018-01-17
KiCad E.D.A. kicad 5.99.0-unknown-529461e100ubuntu18.04.1	Rev: A
	Id: 2/5



Sheet: /CAN/		
File: file5A4C1B7F.sch		
Title: VESC6 High Power		
Size: A4	Date: 2018-01-17	Rev: A
KiCad E.D.A. kicad 5.99.0-unknown-529461e100ubuntu18.04.1		Id: 3/5





Sheet: /driver/ File: driver.sch	
Title: VESC6 High Power	
Size: A4	Date: 2018-01-17
KiCad E.D.A. kicad 5.99.0-unknown-529461e100ubuntu18.04.1	Rev: A
	Id: 5/5