

# Service Manual



Stereo Integrated DC Amplifier

## SU-V4A

[E], [EG], [XGH], [EB]

## SU-V4A(K)

[E], [EG], [XGH], [EB]

01170223 71070241  
EX-81114  
SERVICE MANUAL

\* The cabinet, front panel and knob are available in black color and silver types.  
The black type model is provided with (K) in the Service Manual.

Areas  
\* [E] and [EG] are available in Scandinavia and European except Belgium and Holland.  
\* [XGH] is available in Holland.  
\* [EB] is available in Belgium.

### CONTENTS

	Page
LOCATION OF CONTROLS . . . . .	3, 4
DISASSEMBLY INSTRUCTIONS . . . . .	4, 5
ADJUSTING INSTRUCTIONS (ENGLISH). . . . .	5, 6
EINSTELLUNGSANWEISUNGEN (DEUTSCH) . . . . .	7
INSTRUCTIONS DE REGLAGE (FRANÇAIS) . . . . .	7, 8
REPLACEMENT PARTS LIST (Electrical Parts) . . . . .	8
BLOCK DIAGRAM OF IC'S . . . . .	9, 20
BLOCK DIAGRAM. . . . .	10

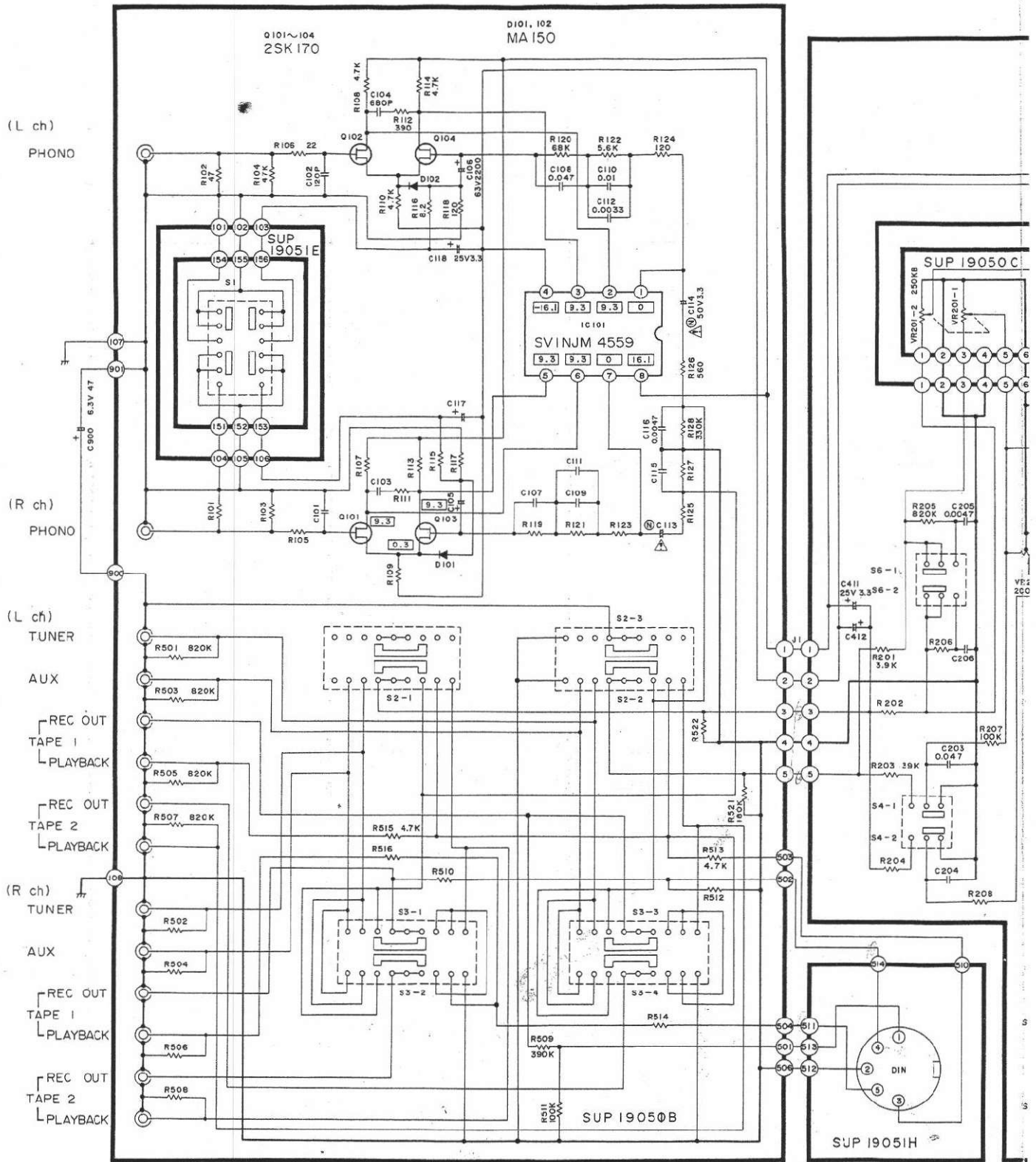
	Page
VARIABLE RESISTORS . . . . .	11
PRINTED CIRCUIT BOARD WIRING VIEW. . . . .	12 ~ 15
TERMINAL GUIDE OF TRANSISTORS AND IC'S. . . . .	15
SCHEMATIC DIAGRAM . . . . .	16 ~ 20
EXPLODED VIEWS . . . . .	21, 22
REPLACEMENT PARTS LIST (Cabinet, Chassis and Packing Parts) . . . . .	23
REPLACEMENT PARTS LIST (Resistors and Capacitors) . . . . .	23, 24

### TECHNICAL SPECIFICATIONS (DIN 45 500)

Specifications are subject to change without notice for further improvement.

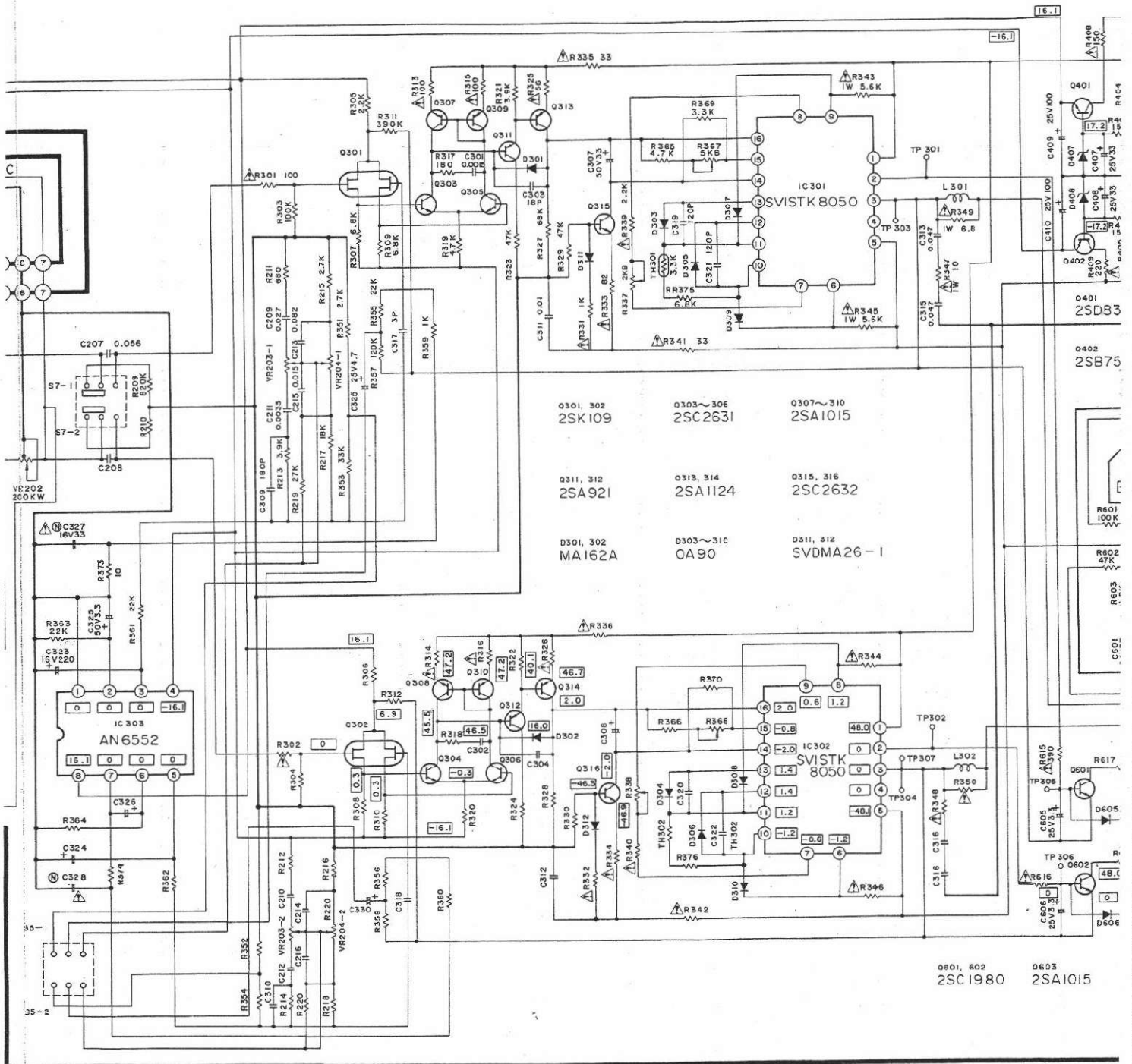
<b>AMPLIFIER SECTION</b>			
20 Hz~20 kHz continuous power output both channels driven	2 × 60W (4Ω) 2 × 55W (8Ω)	-26 dB power at 1 kHz	0.12% (4Ω)
40 Hz~16 kHz continuous power output both channels driven	2 × 60W (4Ω) 2 × 55W (8Ω)	50 mW power at 1 kHz	0.2% (4Ω)
1 kHz continuous power output both channels driven	2 × 75W (4Ω) 2 × 60W (8Ω)	Intermodulation distortion	
Total harmonic distortion		rated power at 250 Hz: 8 kHz=4:1, 4Ω	0.03%
rated power at 20 Hz~20 kHz	0.03% (4Ω) 0.02% (8Ω)	rated power at 60 Hz: 7 kHz=4:1, SMPTE, 8Ω	0.02%
rated power at 40 Hz~16 kHz	0.03% (4Ω) 0.02% (8Ω)	Power bandwidth	
rated power at 1 kHz	0.02% (4Ω) 0.02% (8Ω)	both channels driven, -3 dB	
half power at 20 Hz~20 kHz	0.015% (8Ω)	(THD 0.03%) 5 Hz~30 kHz (4Ω)	
half power at 1 kHz	0.005% (8Ω)	(THD 0.02%) 5 Hz~30 kHz (8Ω)	
		Residual hum and noise (straight DC)	0.65 mV
		Damping factor	25 (4Ω), 50 (8Ω)
		Input sensitivity and impedance	
		PHONO MM	2.5 mV/47kΩ
		MC	170 μV/47Ω
		TUNER, AUX	150 mV/27kΩ
		TAPE 1 REC/PLAY	180 mV/33kΩ
		TAPE 2	150 mV/27kΩ
		PHONO maximum input voltage (1 kHz, RMS)	
		MM	150 mV
		MC	10 mV

# Schematic Diagram ... Model SU-V4/SU-V4K (This schematic ...)



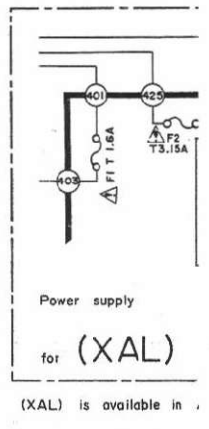
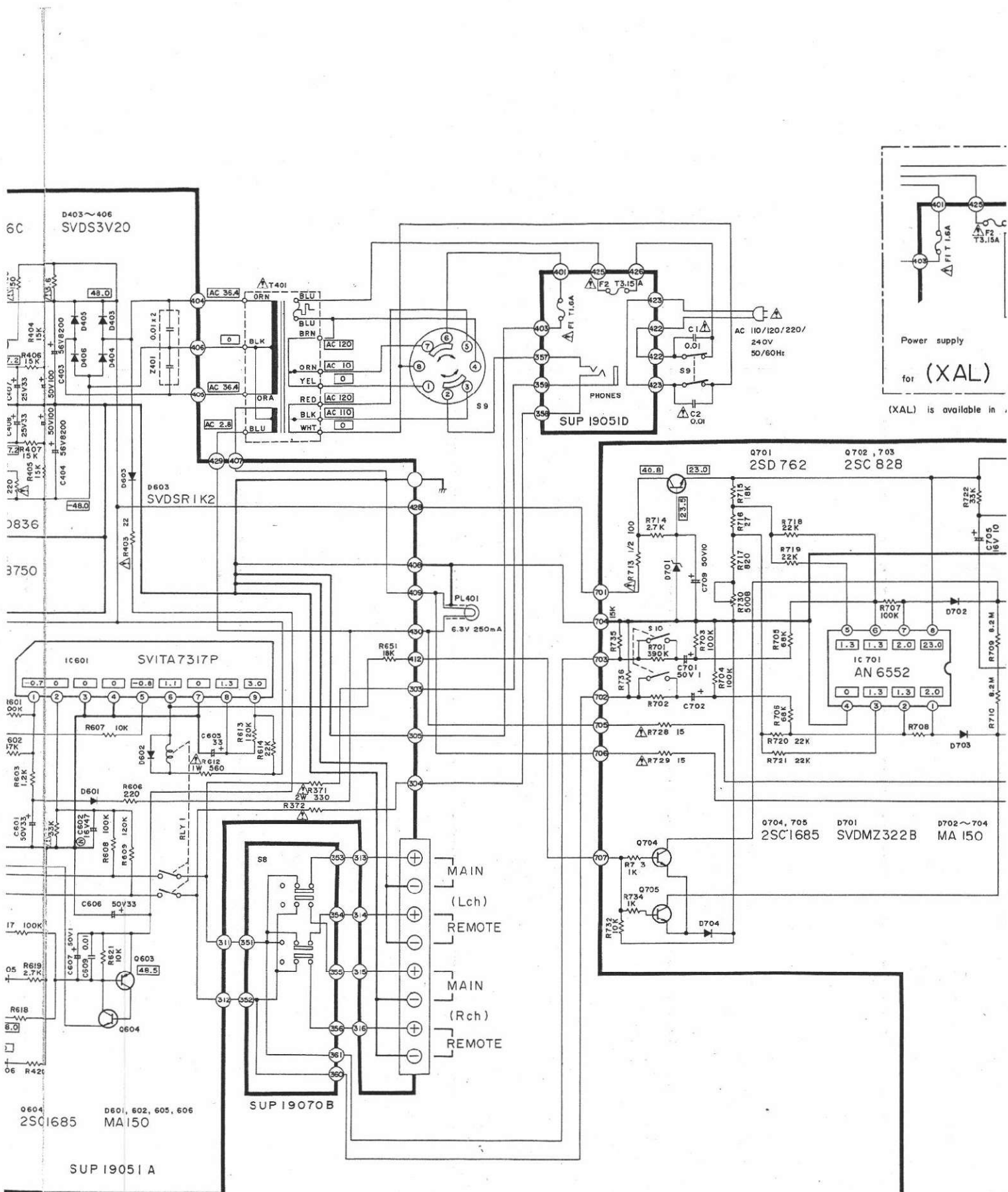
ic diagram may be modified at any time with the development of new technology)

D407, 408  
SVD MZ316 C



0601, 602 2SC1980  
0603 2SA1015

*Handwritten notes:*  
Not in  
to  
9  
10



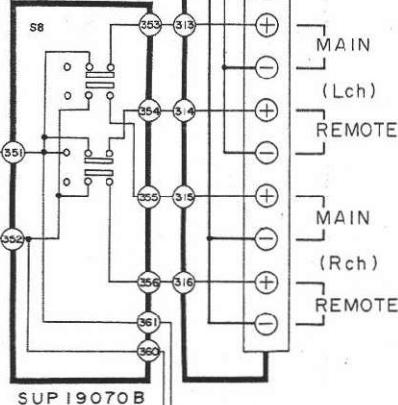
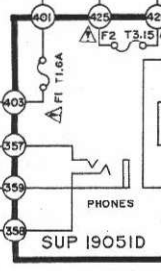
6C D403~406 SVDS3V20

D603 SVDSR1K2

IC601 SVITA7317P

O604 2SC1685 D601, 602, 605, 606 MA150

SUP19051A

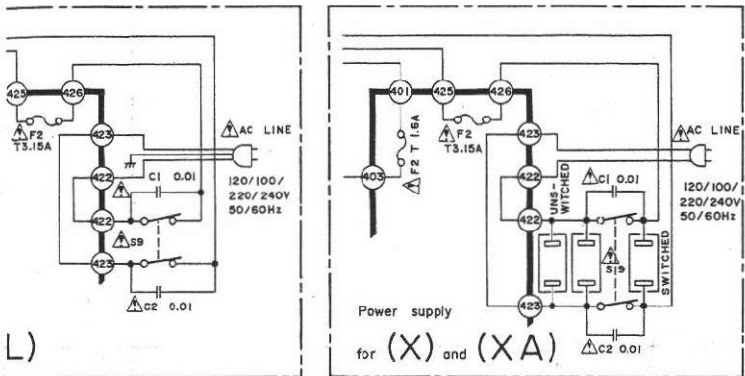


Q701 2SD762 Q702, 703 2SC828

O704, 705 2SC1685 D701 SVDMZ322B D702~704 MA150

IC701 AN6552

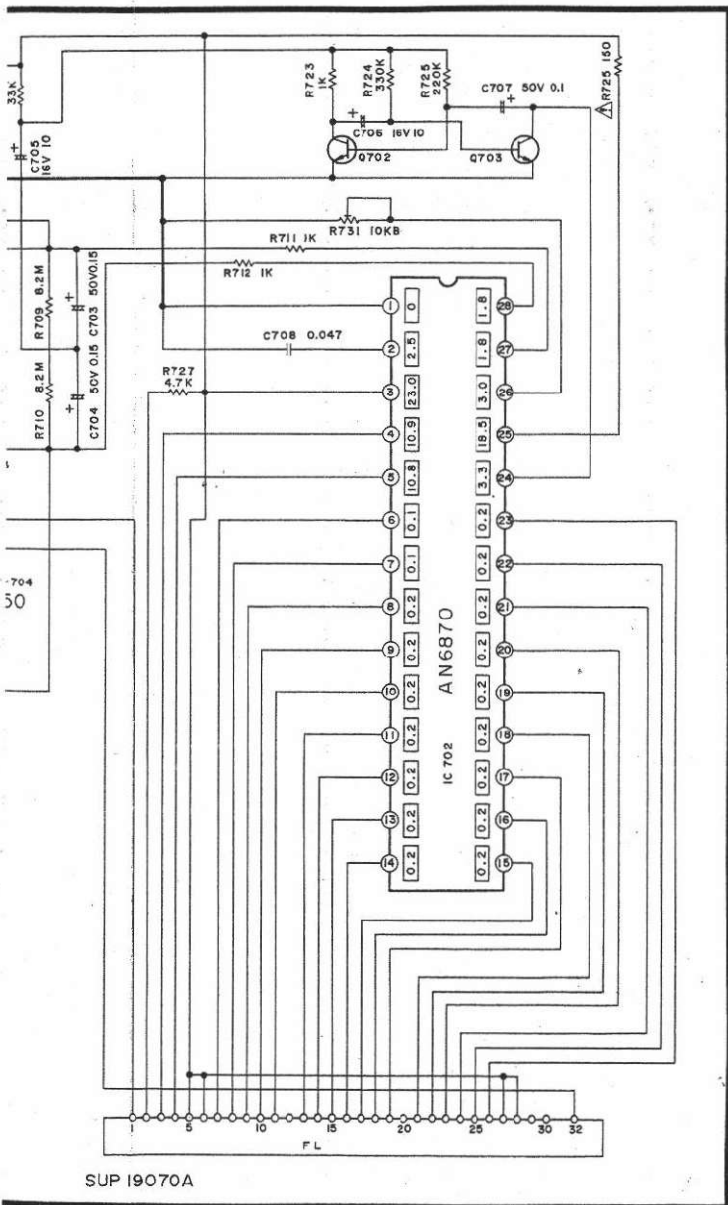
Handwritten signature or mark at the bottom center of the page.



L)

ble in Australia.

(X) and (XA) are available in Asia Latin America, Middle East and Africa.



SUP 19070A

### TERMINAL GUIDE

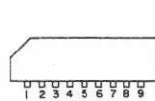


2SA921  
2SA1015  
2SA1124  
2SC1685

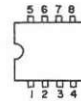
2SC980  
2SC1124  
2SC2631  
2SC828

2SK170

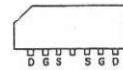
2SB750  
2SD836  
2SD762



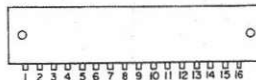
SVITA7317F



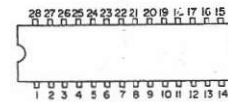
AN6552  
SVINJM4559



2SK109



SVISTK8050



AN6870

### NOTES

- S1 Phono selector switch in "MM" position.  
MM. → MC
- S2 Input selector switch in "phono" position.  
tape2 → tape1 → phono → tuner → aux
- S3 Rec serac switch in "phono" position.  
tape2 1 → tape1 2 → off → phono → tuner → aux
- S4 Loudness switch in "off" position.
- S5 Operator switch in "straight DC" position.
- S6 High filter switch in "off" position.
- S7 Subsonic filter switch in "off" position.
- S8 Speaker switch in "main" position.
- S9 Power switch in "on" position.
- S10 Master range selector switch in "X1" position.  
X1 → X0.01
- (XAL) is available in "Australia".  
(X) and (XA) are Asia, Latin America, Middle East and Africa.