

A

A

B

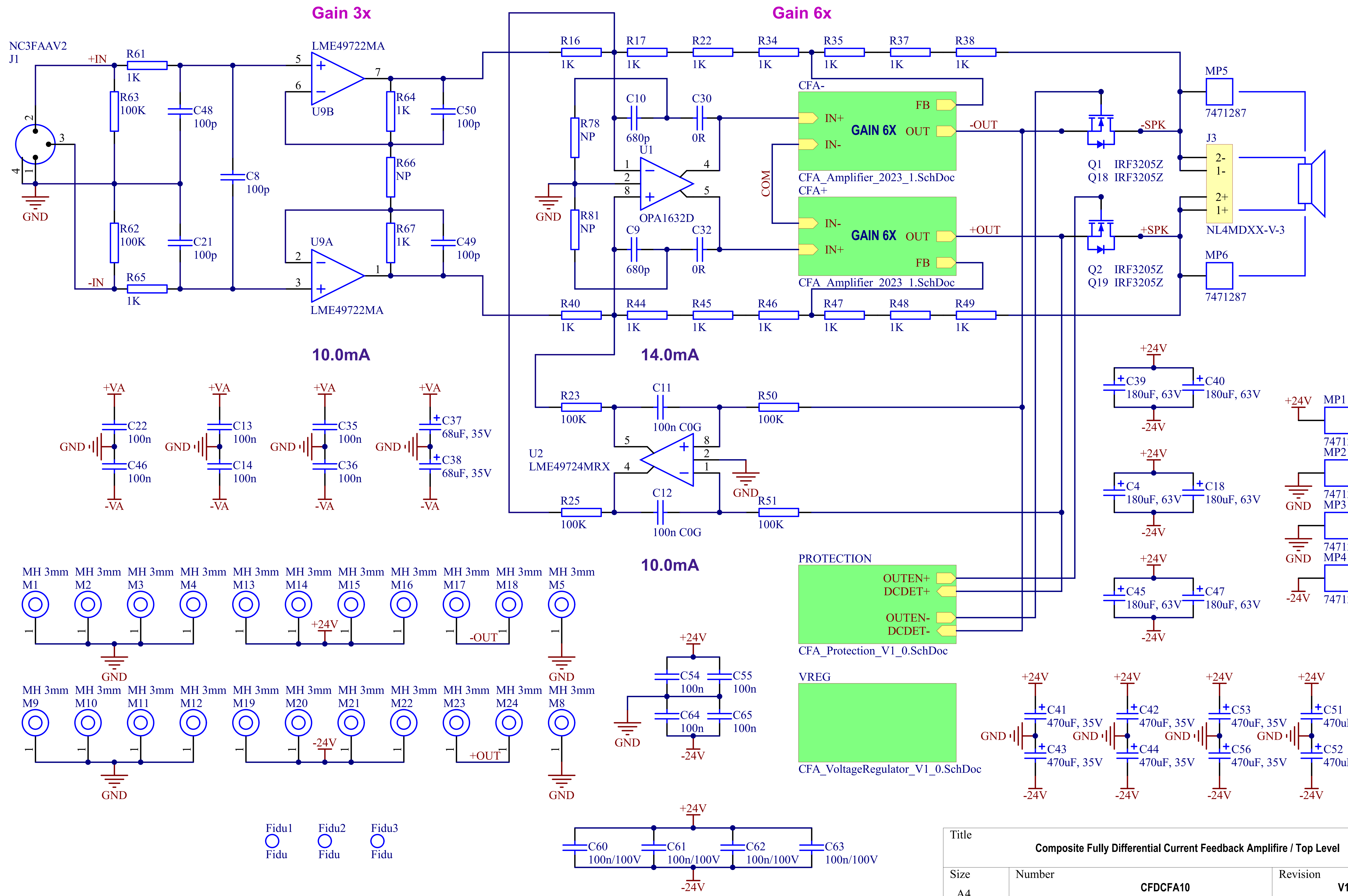
B

C

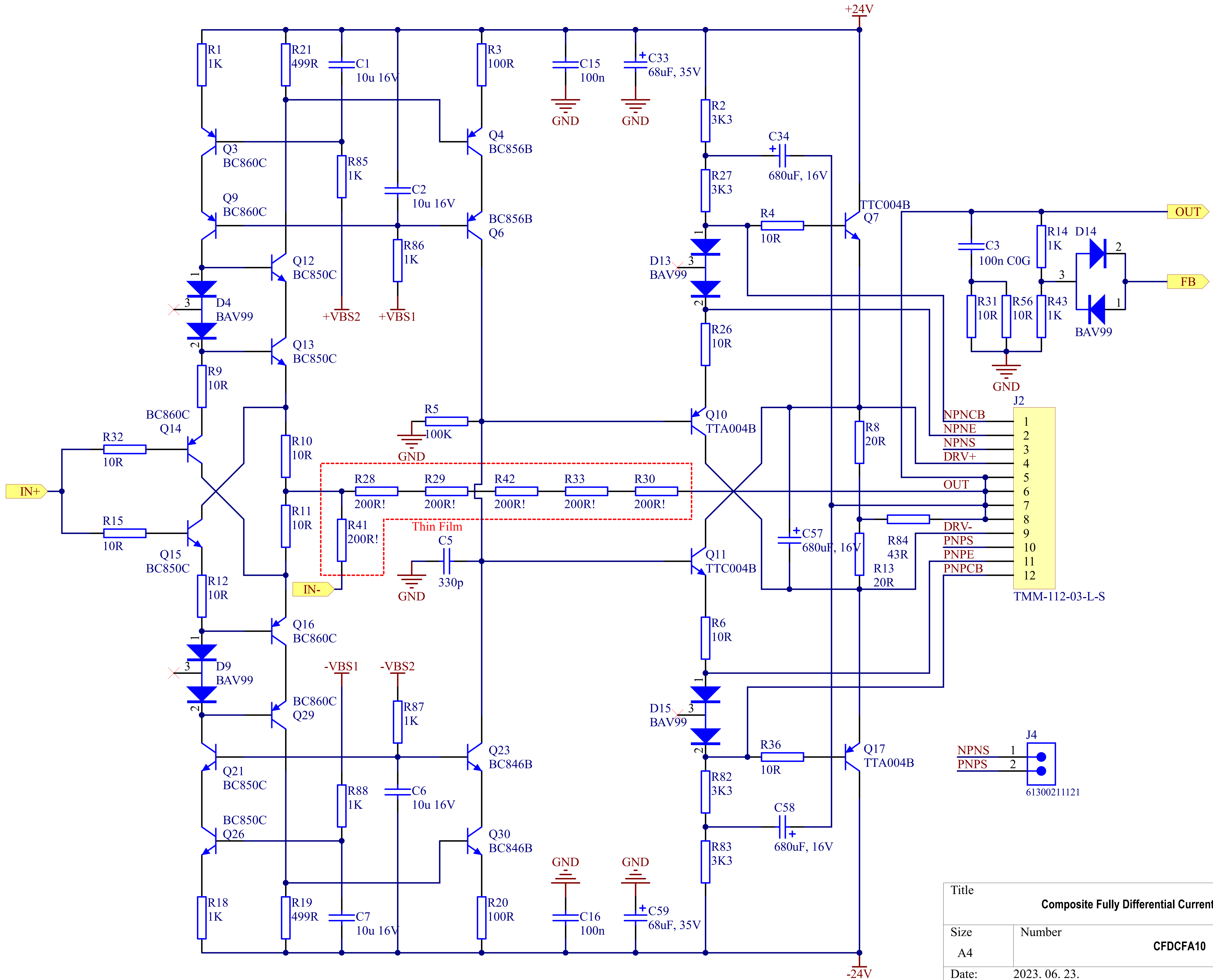
C

D

D

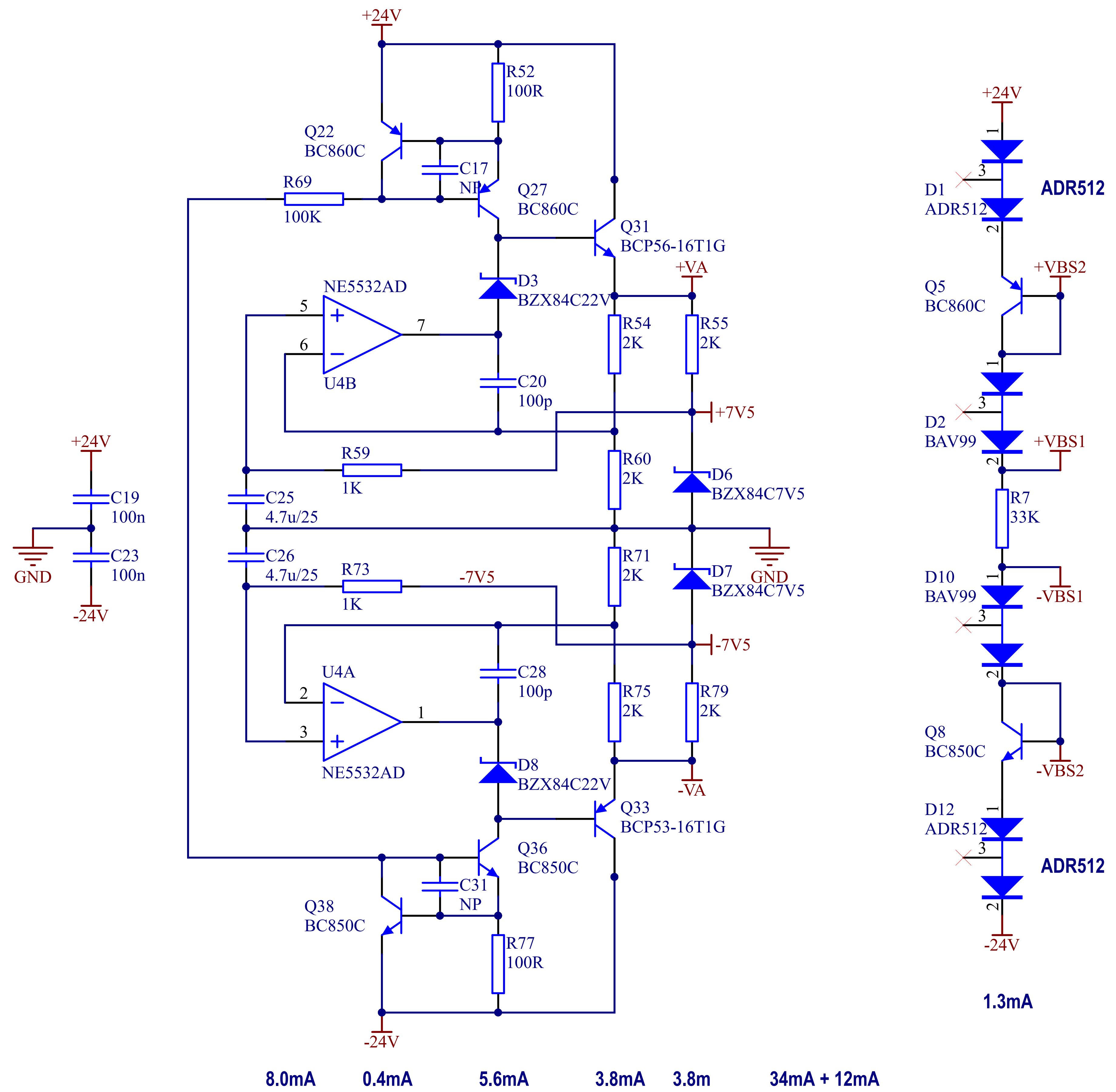


Title		Composite Fully Differential Current Feedback Amplifire / Top Level	
Size	Number	Revision	
A4	CFDCFA10	V1.0	
Date:	2023. 06. 23.	Sheet of	1/4
File:	C:\Users\...\CFA_Driver_V1_0.SchDoc	Drawn By:	Magari Zoltan (mz/x)



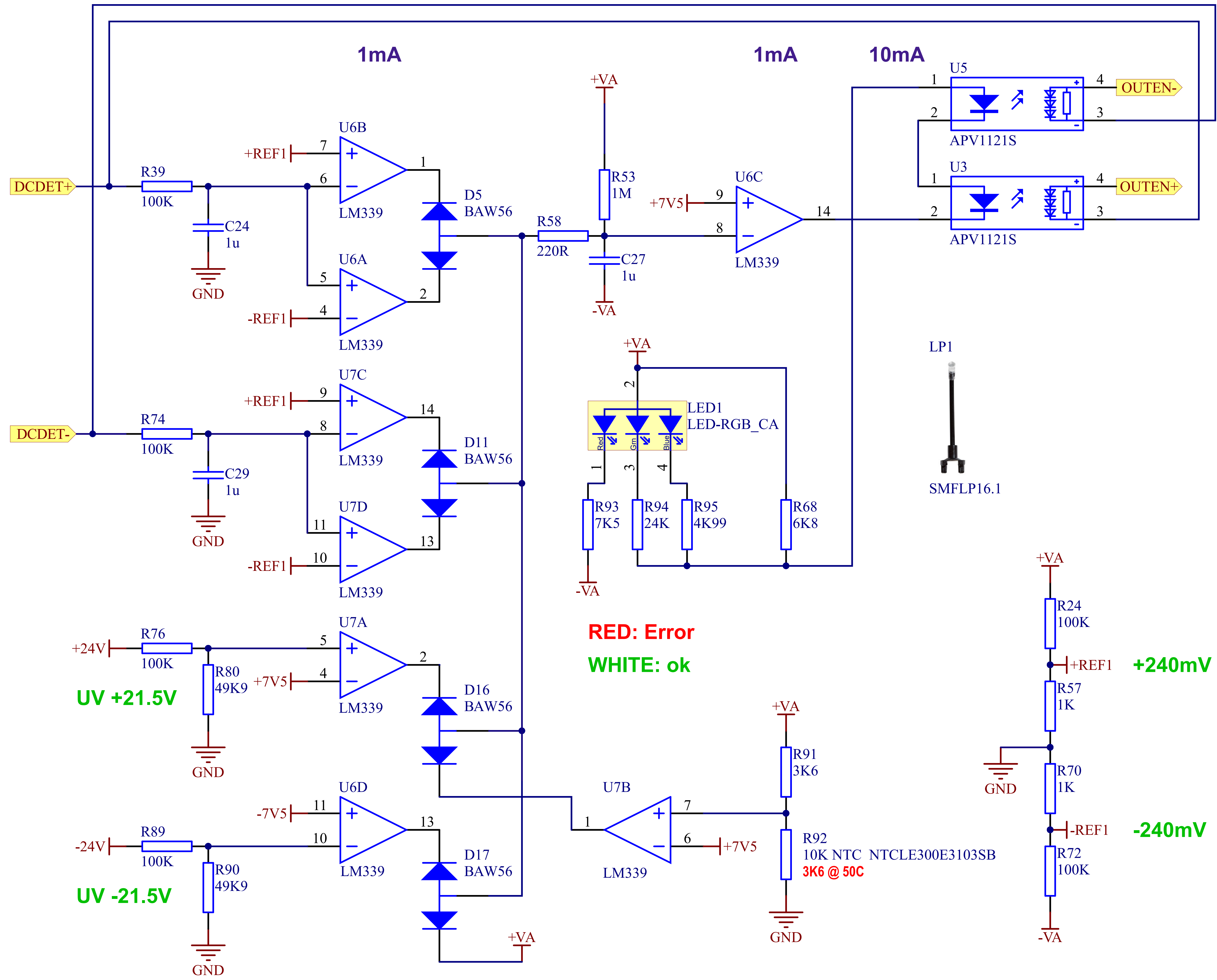
Title			
Composite Fully Differential Current Feedback Amplifre / CF Amp			
Size	Number	Revision	
A4	CFDCFA10	V1.0	
Date:	2023. 06. 23.	Sheet of	2/4
File:	C:\Users\...\CFA_Amplifier_2023_1.SchDo	Drawn By:	Magari Zoltan (mz/x)

+/- 15V



8.0mA 0.4mA 5.6mA 3.8mA 3.8m 34mA + 12mA

Title			
Composite Fully Differential Current Feedback Amplifire / SuperReg			
Size	Number	Revision	
A4	CFDCFA10	V1.0	
Date:	2023. 06. 23.	Sheet of	3/4
File:	C:\Users\...\CFA_VoltageRegulator_V1.0.SchDoc	Drawn By:	Magari Zoltan (mz/x)



RED: Error
WHITE: ok

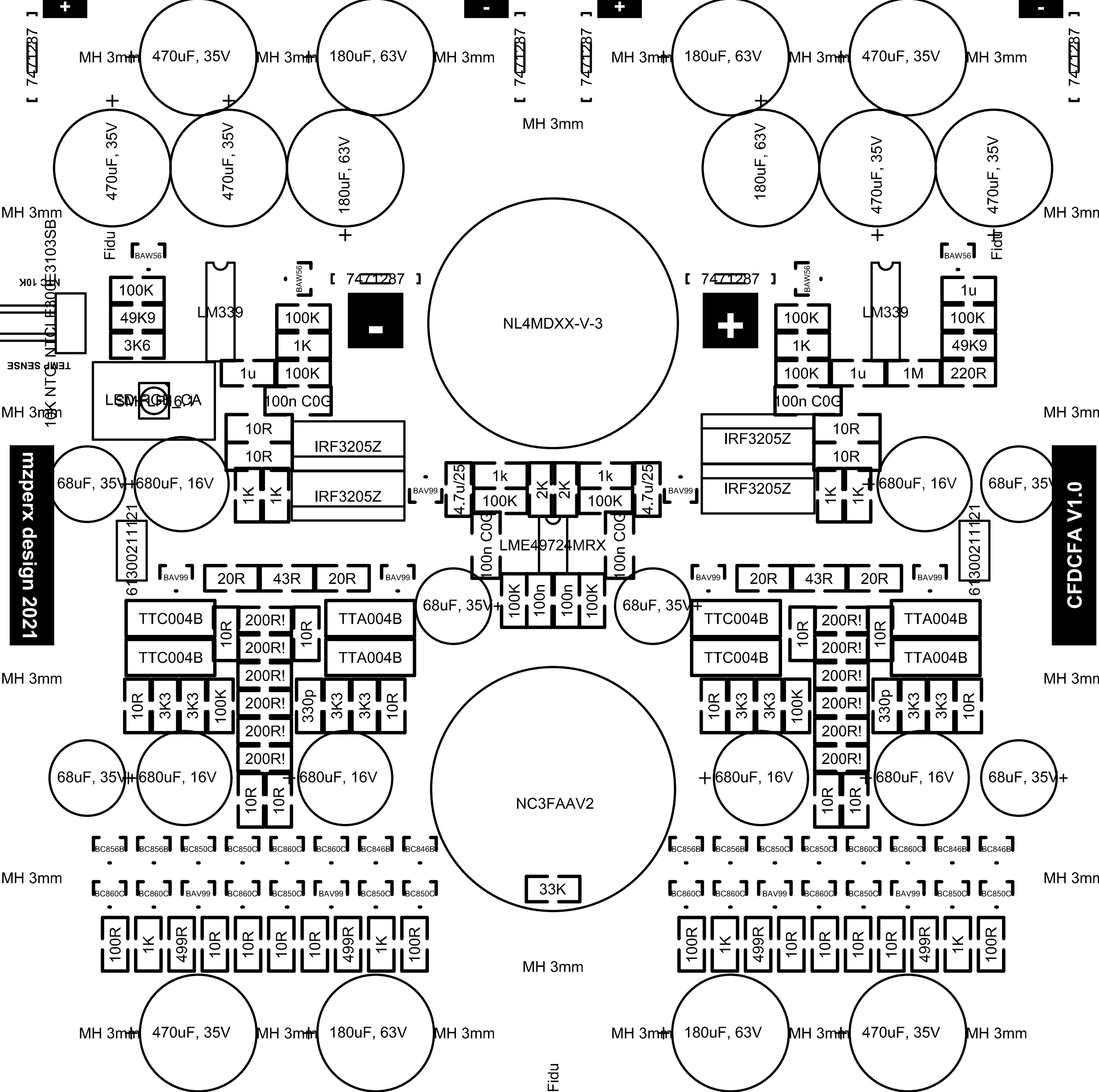
UV +21.5V

UV -21.5V

+240mV

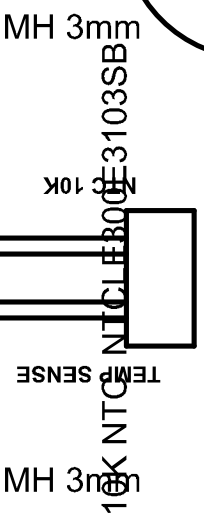
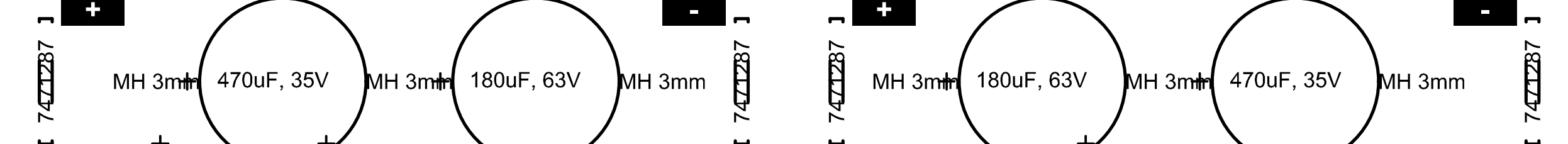
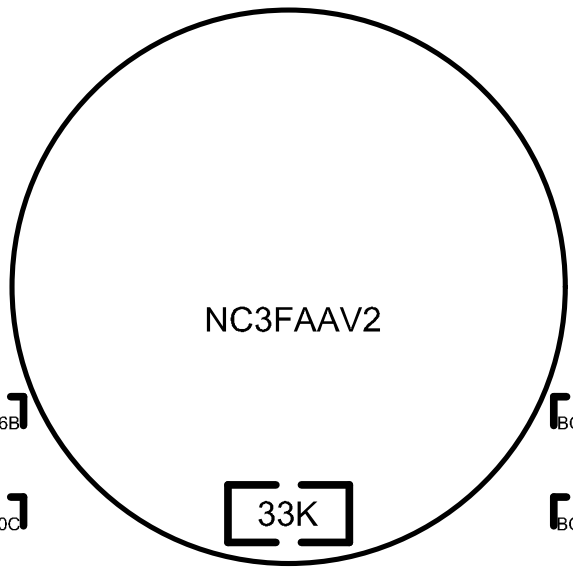
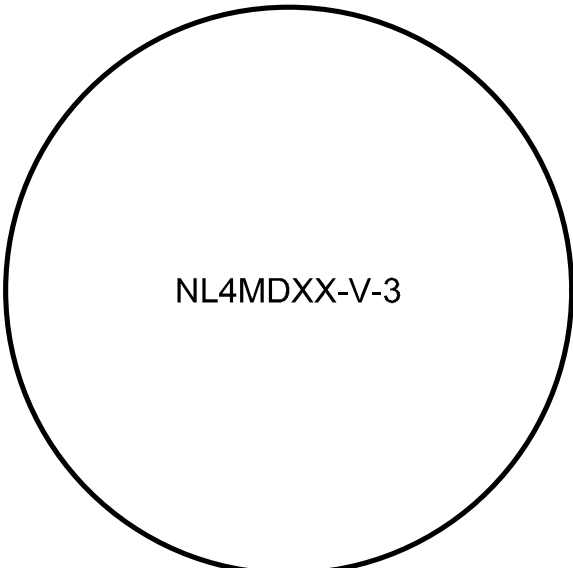
-240mV

Title			
Composite Fully Differential Current Feedback Amplifire / Protection			
Size	Number	Revision	
A4	CFDCFA10	V1.0	
Date:	2023. 06. 23.	Sheet of	4/4
File:	C:\Users\i...\CFA_Protection_V1_0.SchDoc		Drawn By: Magari Zoltan (mz/x)



mzper design 2021

CFDCFA V1.0

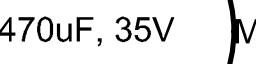
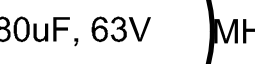
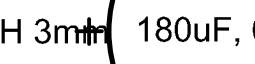
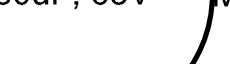
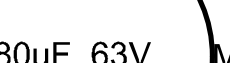
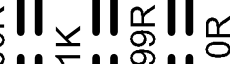
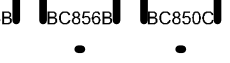
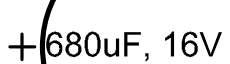
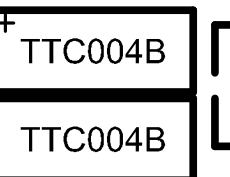
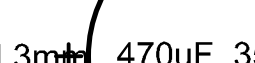
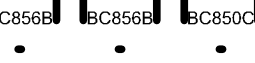
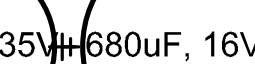
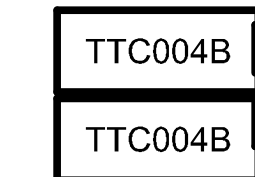
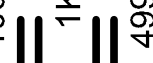
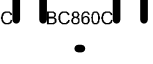
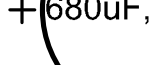
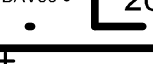
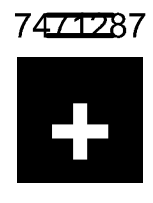
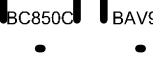
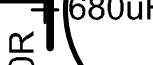
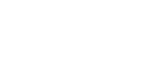
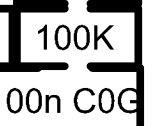
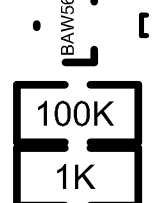
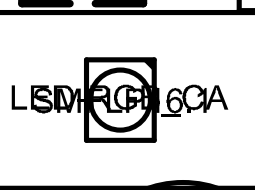
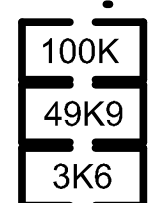


MH 3mm

MH 3mm

MH 3mm

Fiducial

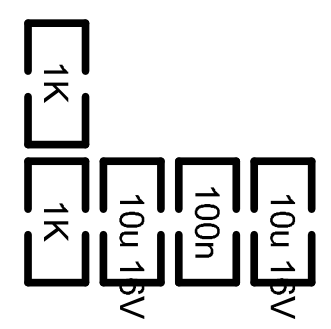
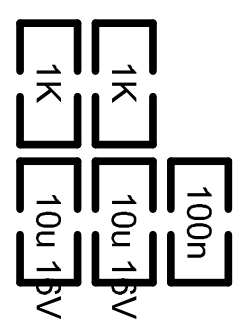
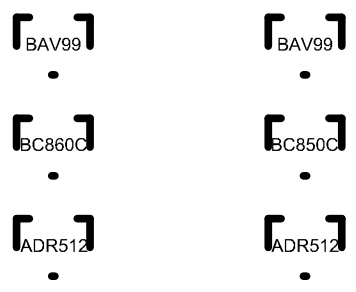
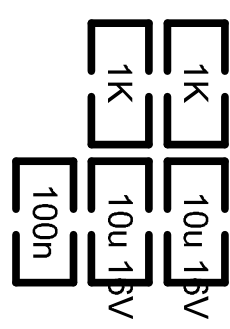
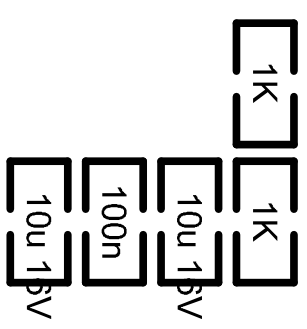
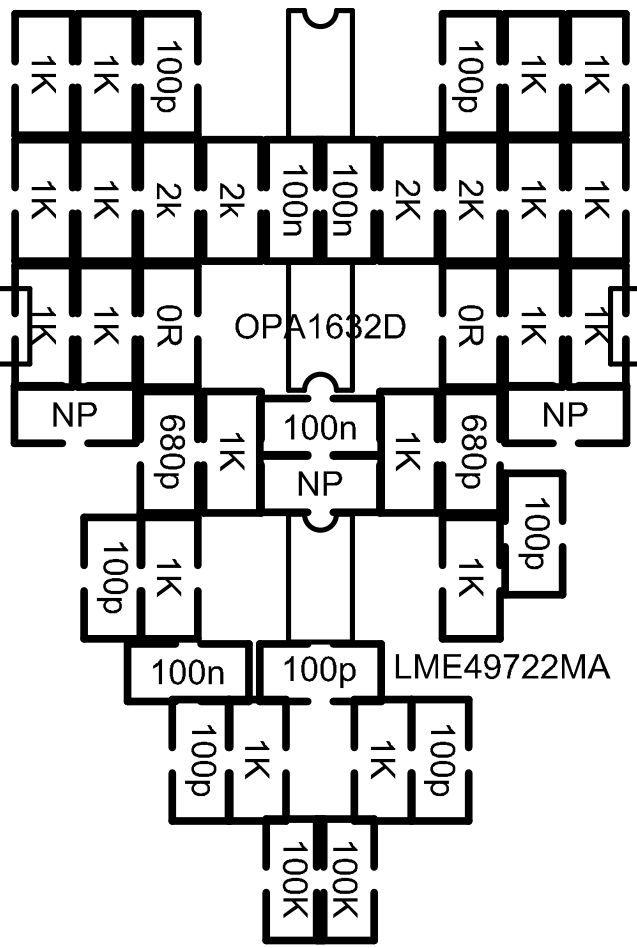
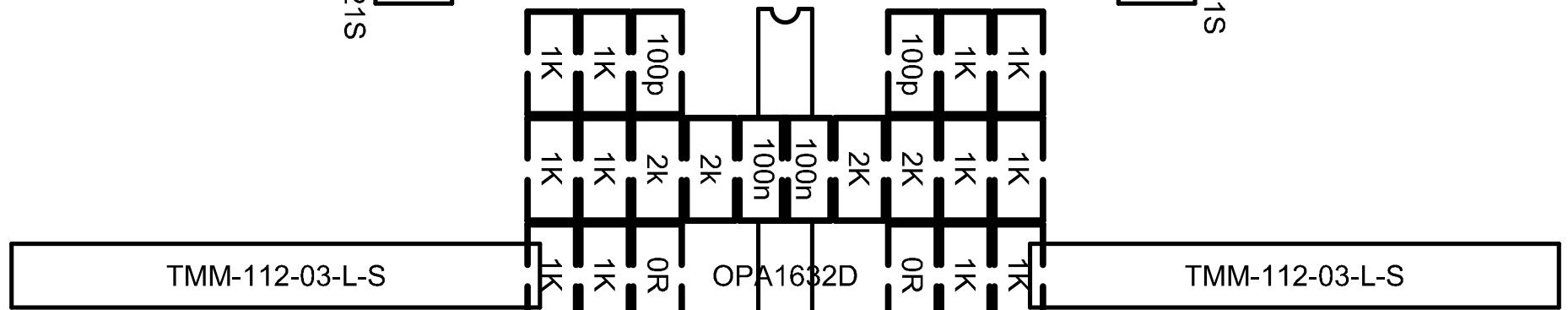
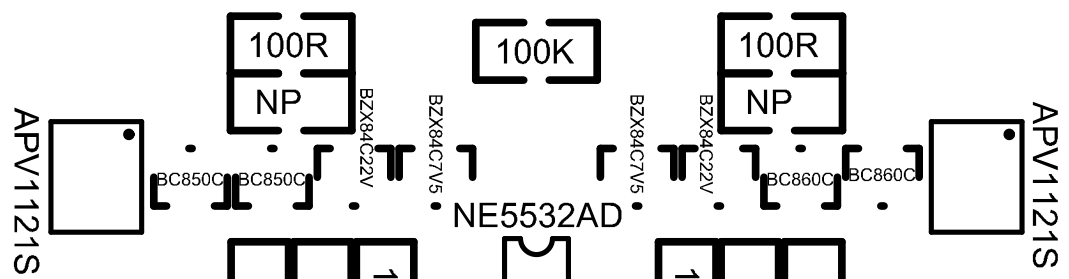
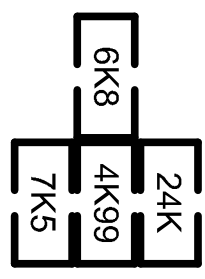
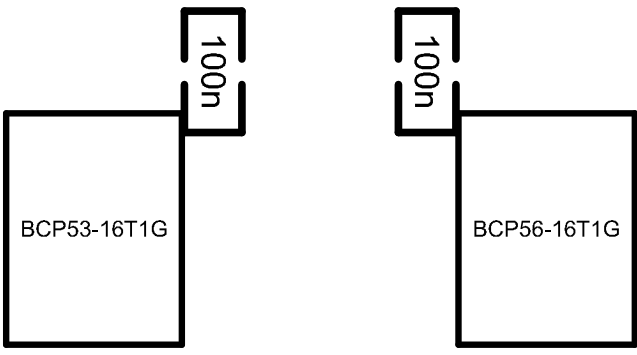


100n

00n/100V

00n/100V

100n



100n

00n/100V

00n/100V

100n

