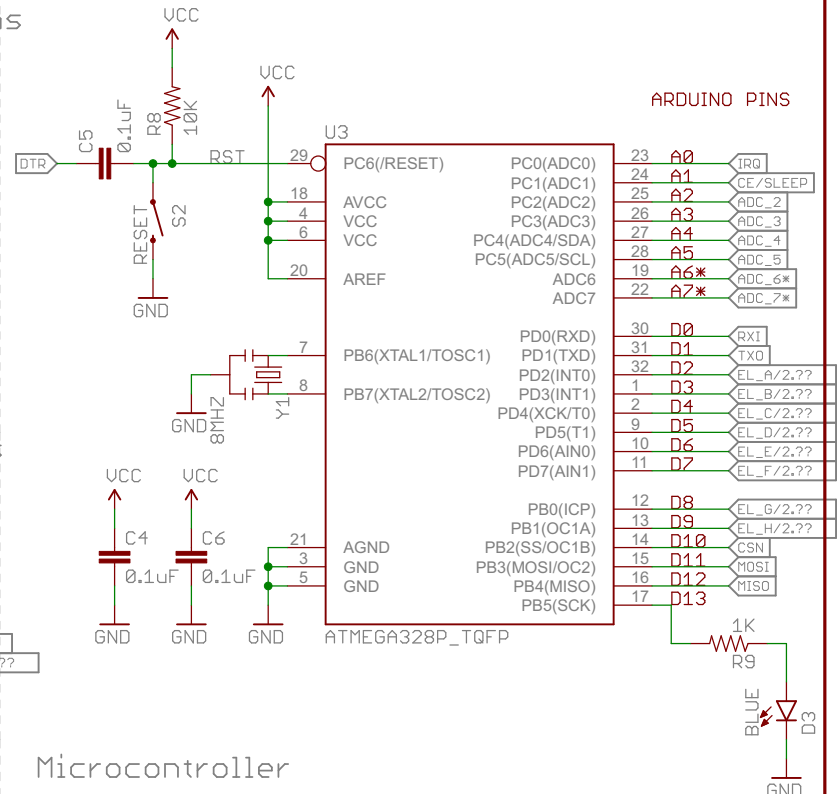
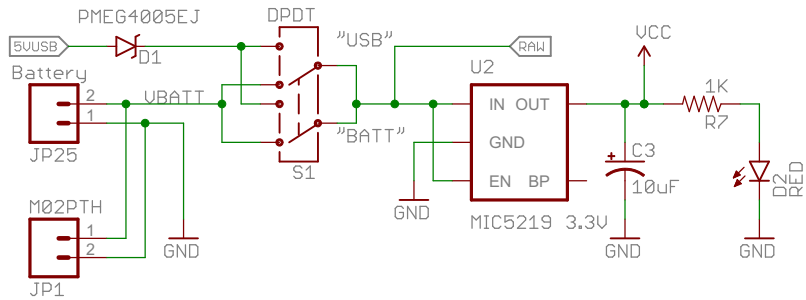
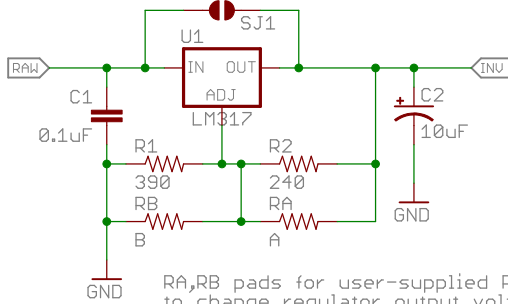


Input voltage (UBATT or 5UUSB):  
 3.5V - 16V to operate ATmega  
 > 4.8V if using LM317 regulator at default 3.3V DC output to inverter  
 > (DC to inverter + 1.5V) if using LM317 regulator at a custom voltage  
 Note that input voltage can be passed directly to inverter by closing SJ1

## Power Connections

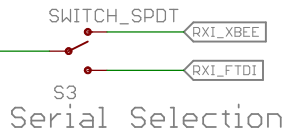
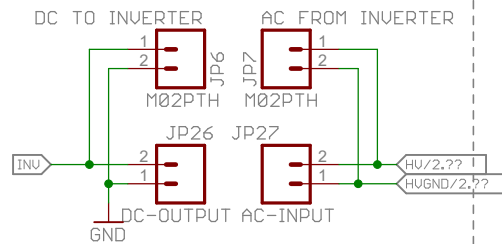


3.3V regulator for external inverter  
 Short SJ1 to bypass regulator

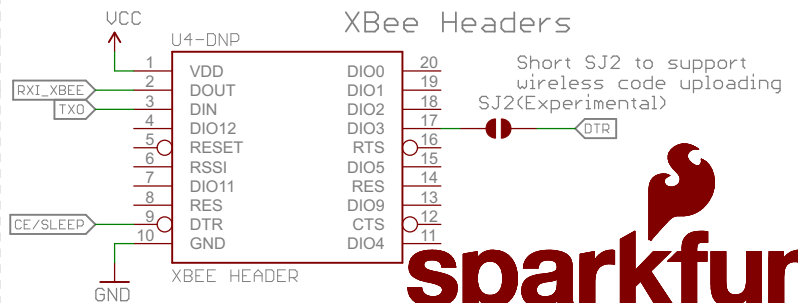


RA, RB pads for user-supplied PTH resistors to change regulator output voltage (remove SMD resistors R1, R2 first) See LM317 datasheet for values

## Inverter Connections



## Microcontroller



Released under the Creative Commons Attribution Share-Alike 4.0 License  
<https://creativecommons.org/licenses/by-sa/4.0/>

open hardware

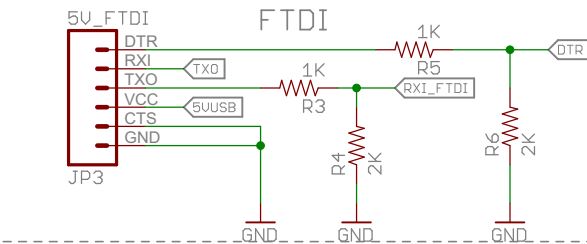
TITLE: SparkFun\_EL\_Sequencer\_v23

Design by: Nathan Seidle, Mike Grusin  
 Revision By: Toni Klopfenstein

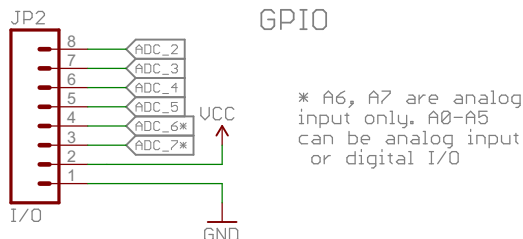
REV: v23

Date: 4/14/2015 1:38:38 PM

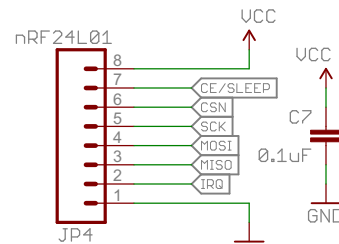
Sheet: 1/2



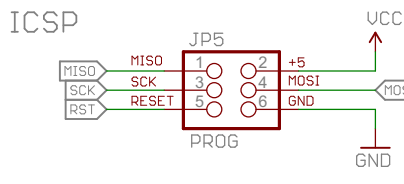
## GPIO



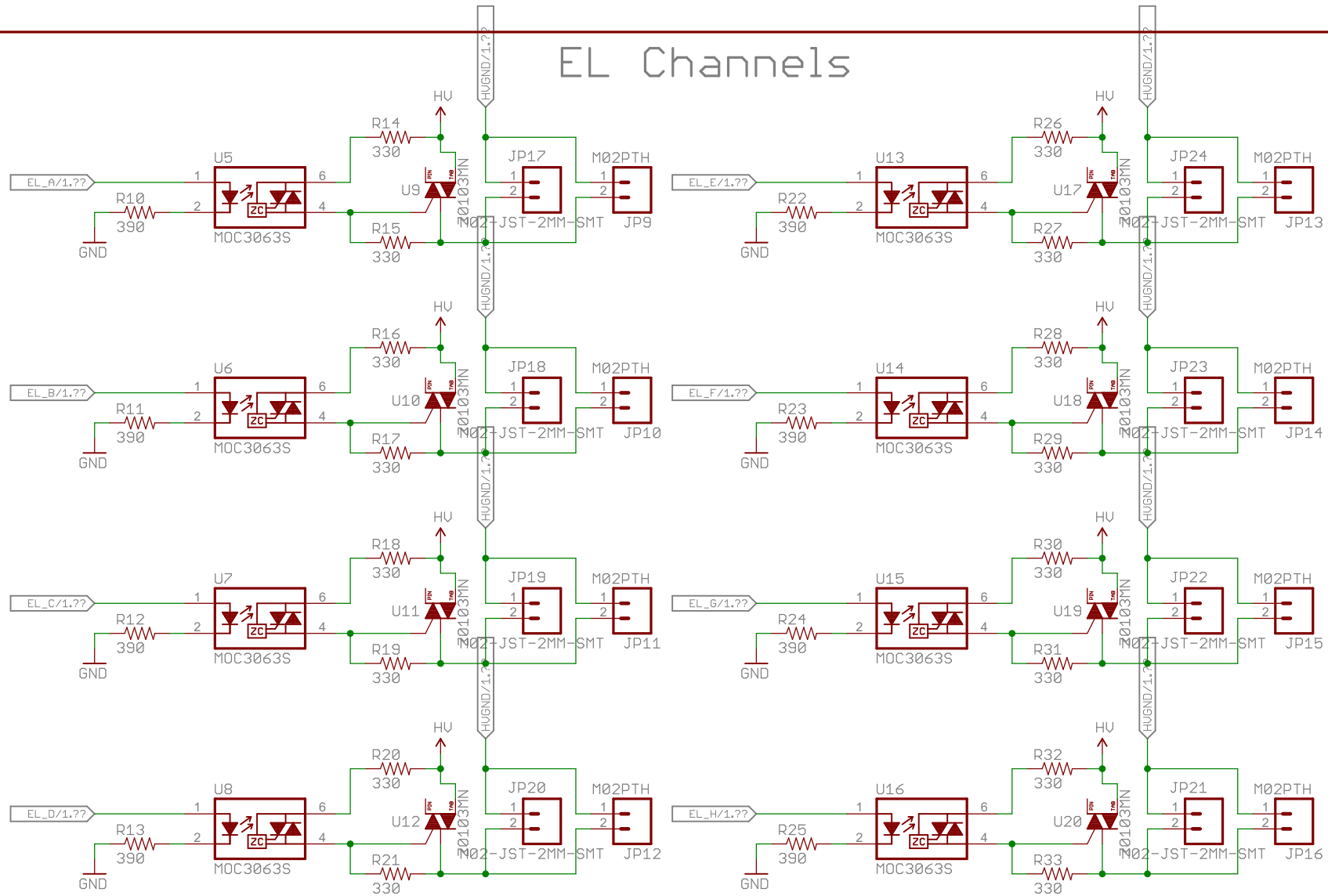
\* A6, A7 are analog input only. A0-A5 can be analog input or digital I/O



## nRF Headers



# EL Channels



Released under the Creative Commons  
 Attribution Share-Alike 4.0 License  
<https://creativecommons.org/licenses/by-sa/4.0/>

TITLE: SparkFun\_EL\_Sequencer\_v23

Design by: Seidle, M. Grusin  
 Revision by: Toni Klopfenstein

REV:  
 v23

Date: 4/14/2015 1:38:38 PM

Sheet: 2/2