

A

A

B

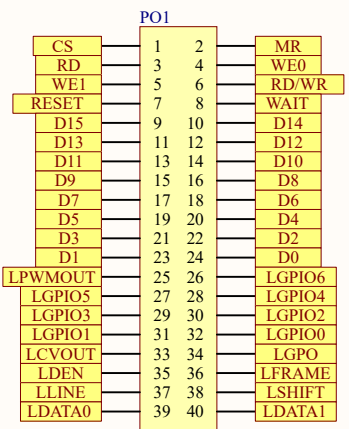
B

C

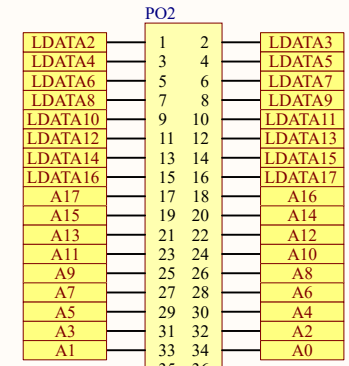
C

D

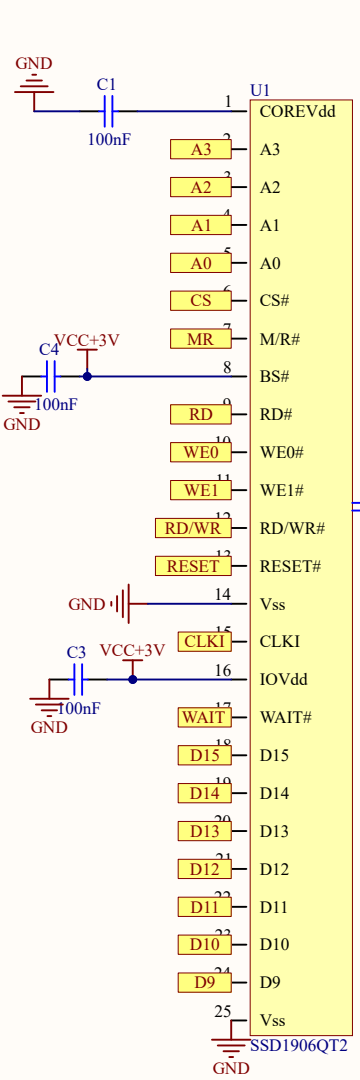
D



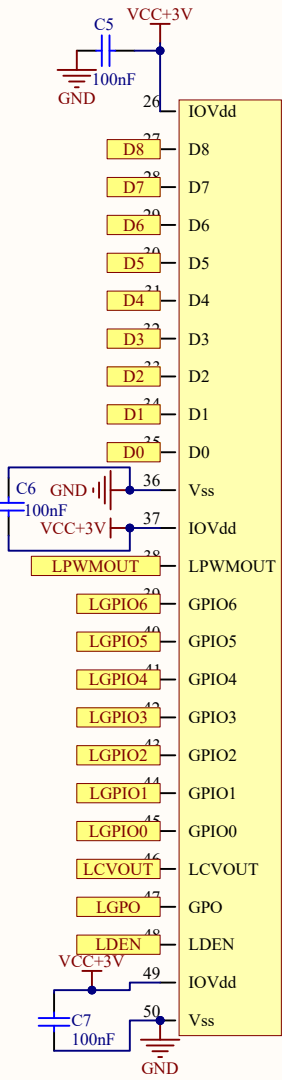
Header 20X2



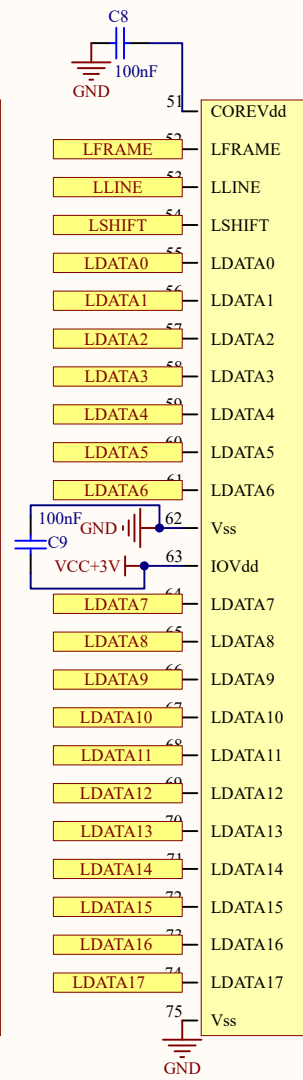
Header 20X2



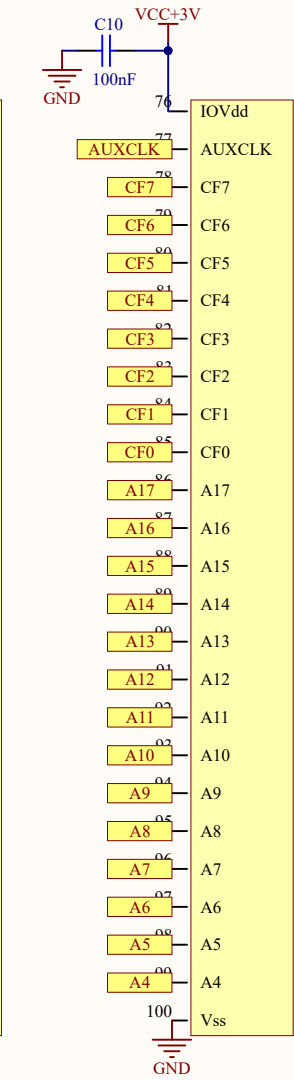
SSD1906QT2



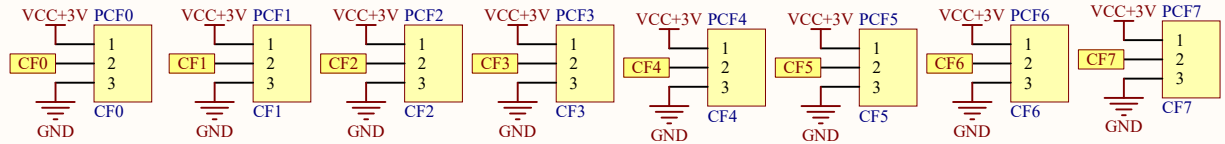
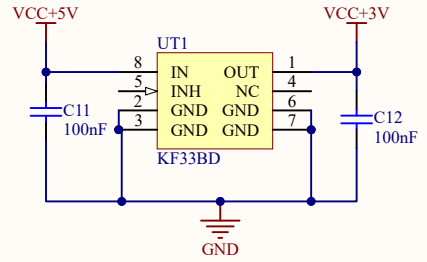
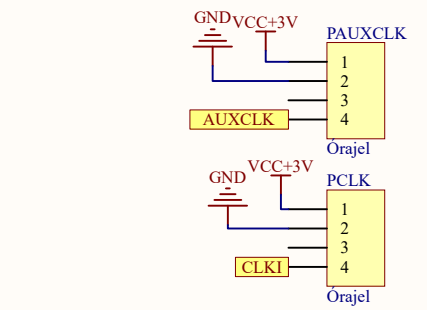
SSD1906QT2



SSD1906QT2



SSD1906QT2



Title		
SSD1906 modul		
Size	Number	Revision
A4		
Date:	10. 18. 2024	Sheet of
File:	D:\munka\...Sheet1.SchDoc	Drawn Bybbatka