

TA-FE230/FE330R/FE530R

SERVICE MANUAL

Ver 1.1 2001.02

AEP Model
UK Model



Photo: TA-FE530R (BLACK)

SPECIFICATIONS

Amplifier section

DIN power output

TA-FE530R: 110 W + 110 W (4 ohms at 1 kHz)
TA-FE330R: 70 W + 70 W (4 ohms at 1 kHz)
TA-FE230: 55 W + 55 W (8 ohms at 1 kHz)

Frequency response

PHONO (20 Hz - 20 kHz): RIAA equalization curve
±1.0 dB
TUNER, CD, AUX, TAPE1/DAT, TAPE2/MD:
7 Hz - 70 kHz ±0.5 dB

S/N (network A)

PHONO: 80 dB
TUNER, CD, AUX, TAPE1/DAT, TAPE2/MD: 105 dB

Output voltage/impedance

RECOUT: 200 mV, 1 kilohm
PHONES: 5 mW (at 8 ohms)

Speakers impedance

TA-FE530R/TA-FE330R: 4 - 16 ohms
TA-FE230: 8 - 16 ohms

Damping factor

80 (8 ohms, 1 kHz)

General

System

Power amplifier with all stages directly coupled
Preamplifier: Low-noise, equalizer amplifier

Power requirements

230 V AC, 50/60 Hz

Power consumption

TA-FE530R: 190 W
TA-FE330R: 160 W
TA-FE230: 120 W

Dimensions (approx.) (w/h/d)

430 × 130 × 310 mm
incl. projecting parts and controls

Mass (approx.)

TA-FE530R: 6.5 kg
TA-FE330R: 5.5 kg
TA-FE230: 5.2 kg

Supplied accessories (TA-FE530R/TA-FE330R only)

Remote commander (remote) RM-S325 (1)
Sony batteries R6 (size-AA) (2)

Design and specifications are subject to change without notice.

INTEGRATED STEREO AMPLIFIER

9-928-825-12
2001B0500-1
© 2001.2

Sony Corporation
Audio Entertainment Group
General Engineering Dept.

SONY®

TABLE OF CONTENTS

1. GENERAL	
Location of Controls	3
2. DISASSEMBLY	4
3. DIAGRAMS	
3-1. Note for Printed Wiring Boards and Schematic Diagrams	7
3-2. Printed Wiring Board – MAIN Section –	9
3-3. Schematic Diagram – MAIN Section –	11
3-4. Printed Wiring Boards – PANEL Section –	13
3-5. Schematic Diagram – PANEL Section –	15
3-6. Printed Wiring Boards – POWER Section –	17
3-7. Schematic Diagram – POWER Section –	19
3-8. IC Pin Function Description	22
4. EXPLODED VIEWS	23
5. ELECTRICAL PARTS LIST	26

SAFETY-RELATED COMPONENT WARNING!!

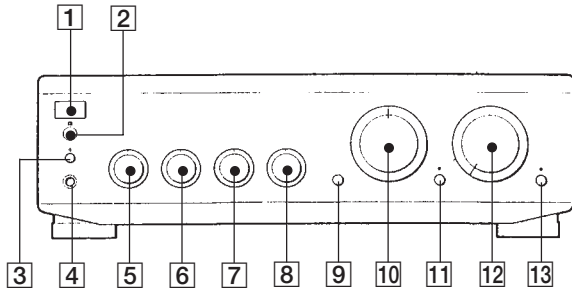
COMPONENTS IDENTIFIED BY MARK \triangle OR DOTTED LINE WITH MARK \triangle ON THE SCHEMATIC DIAGRAMS AND IN THE PARTS LIST ARE CRITICAL TO SAFE OPERATION. REPLACE THESE COMPONENTS WITH SONY PARTS WHOSE PART NUMBERS APPEAR AS SHOWN IN THIS MANUAL OR IN SUPPLEMENTS PUBLISHED BY SONY.

SECTION 1 GENERAL

This section is extracted from instruction manual.

LOCATION OF CONTROLS

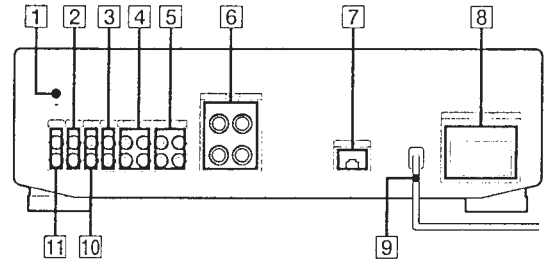
• Front View



- 1 I/⏻ button
- 2 Remote sensor (TA-FE330R/FE530R)
- 3 EON LINK button and indicator (TA-FE530R)
- 4 PHONES jack
- 5 SPEAKERS switch
- 6 BASS dial
- 7 TREBLE dial
- 8 BALANCE dial
- 9 LOUDNESS button
- 10 INPUT SELECTOR
- 11 SOURCE DIRECT button (TA-FE330R/FE530R)
- 12 VOLUME dial
- 13 TAPE1 MONITOR switch (TA-FE530R)

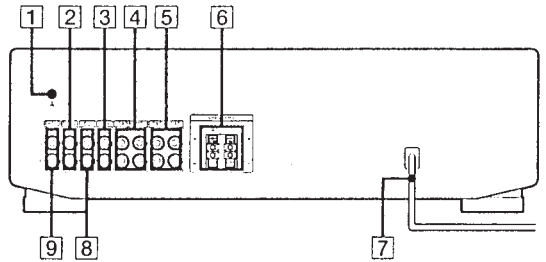
• Rear View

• TA-FE530R/TA-FE330R



- 1 ⏻ (SIGNAL GND)
- 2 TUNER
- 3 AUX
- 4 TAPE2/MD
- 5 TAPE1/DAT
- 6 SPEAKERS
- 7 EON CONTROL IN (TA-FE530R only)
- 8 AC OUTLET (unavailable on the TA-FE530R (U.K. model) and TA-FE330R (U.K. model))
- 9 Mains lead
- 10 CD
- 11 PHONO

• TA-FE230

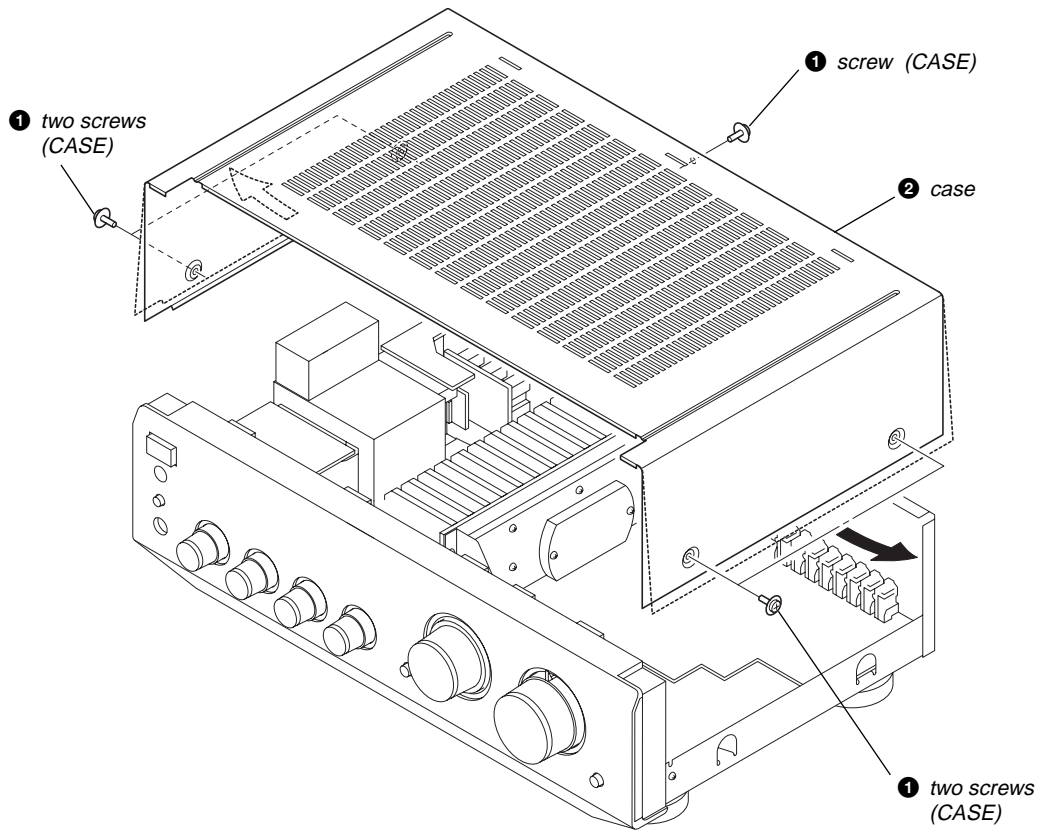


- 1 ⏻ (SIGNAL GND)
- 2 TUNER
- 3 AUX
- 4 TAPE2/MD
- 5 TAPE1/DAT
- 6 SPEAKERS
- 7 Mains lead
- 8 CD
- 9 PHONO

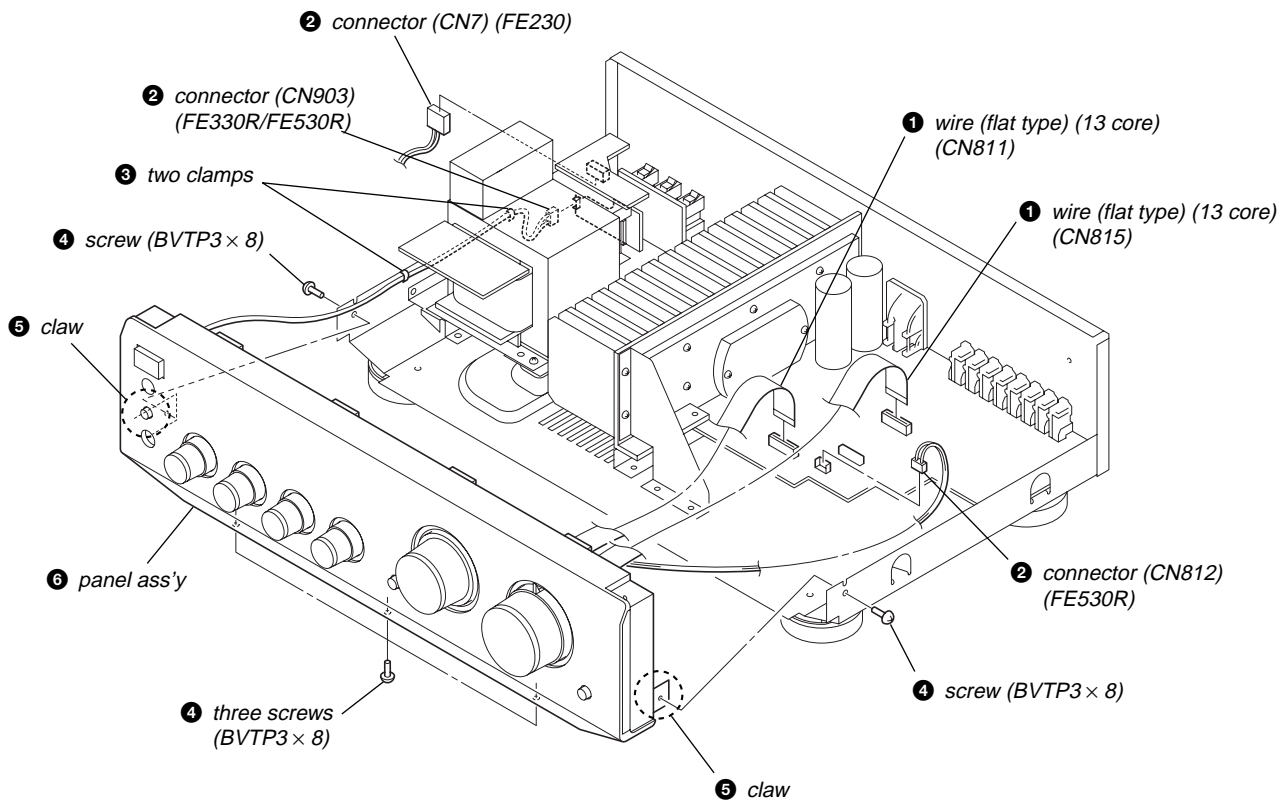
SECTION 2 DISASSEMBLY

Note: Follow the disassembly procedure in the numerical order given.

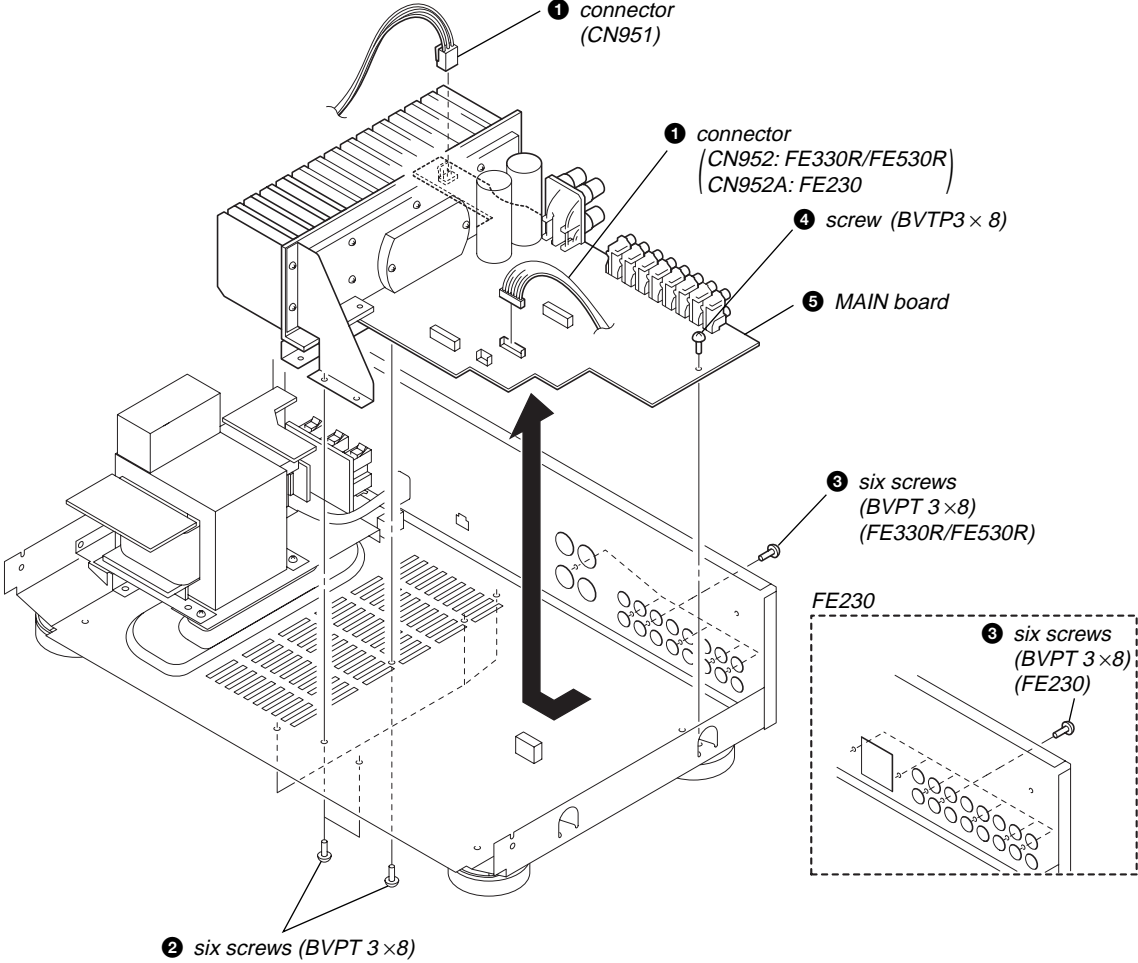
CASE



PANEL ASS'Y



MAIN BOARD



SECTION 3 DIAGRAMS

3-1. NOTE FOR PRINTED WIRING BOARDS AND SCHEMATIC DIAGRAMS

Note on Printed Wiring Boards:

- : parts extracted from the component side.
- : internal component.
- : Pattern from the side which enables seeing.
- Indication of diode



This marking side is cathode.

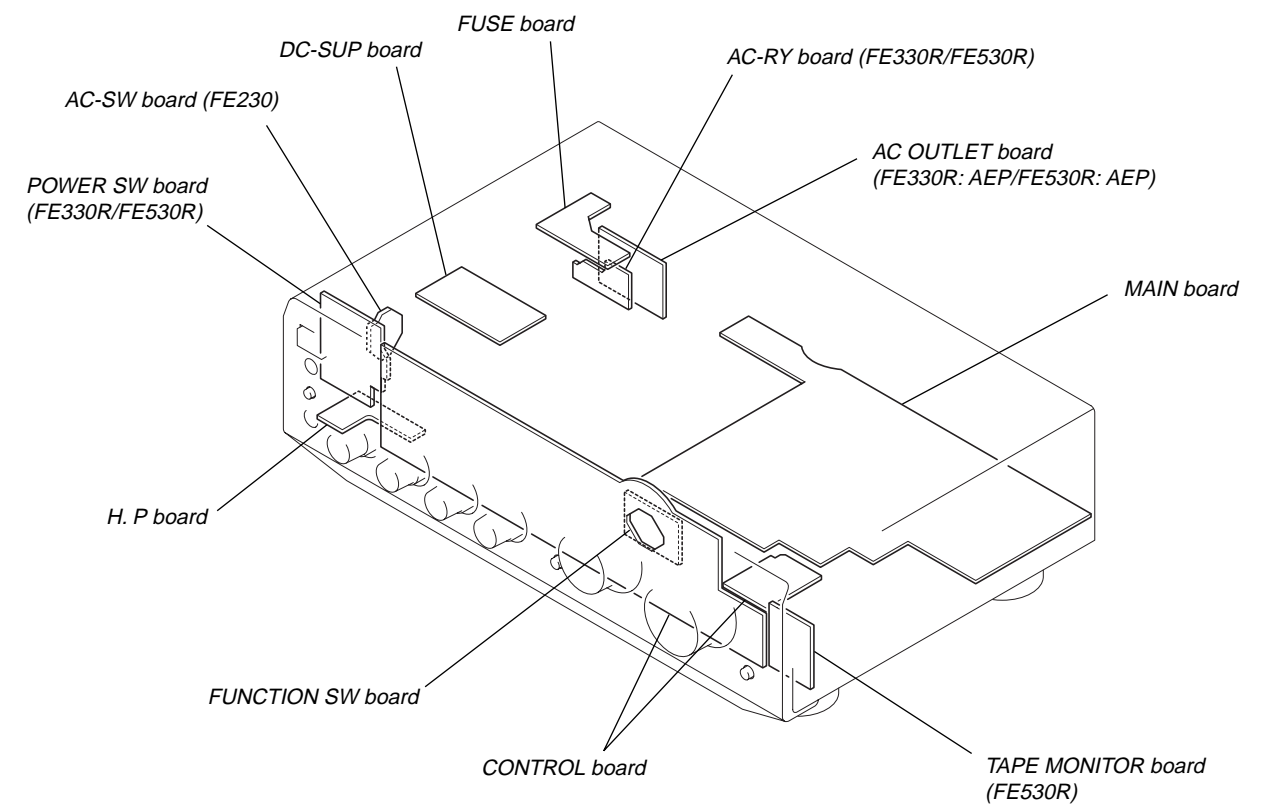
Note on Schematic Diagrams:

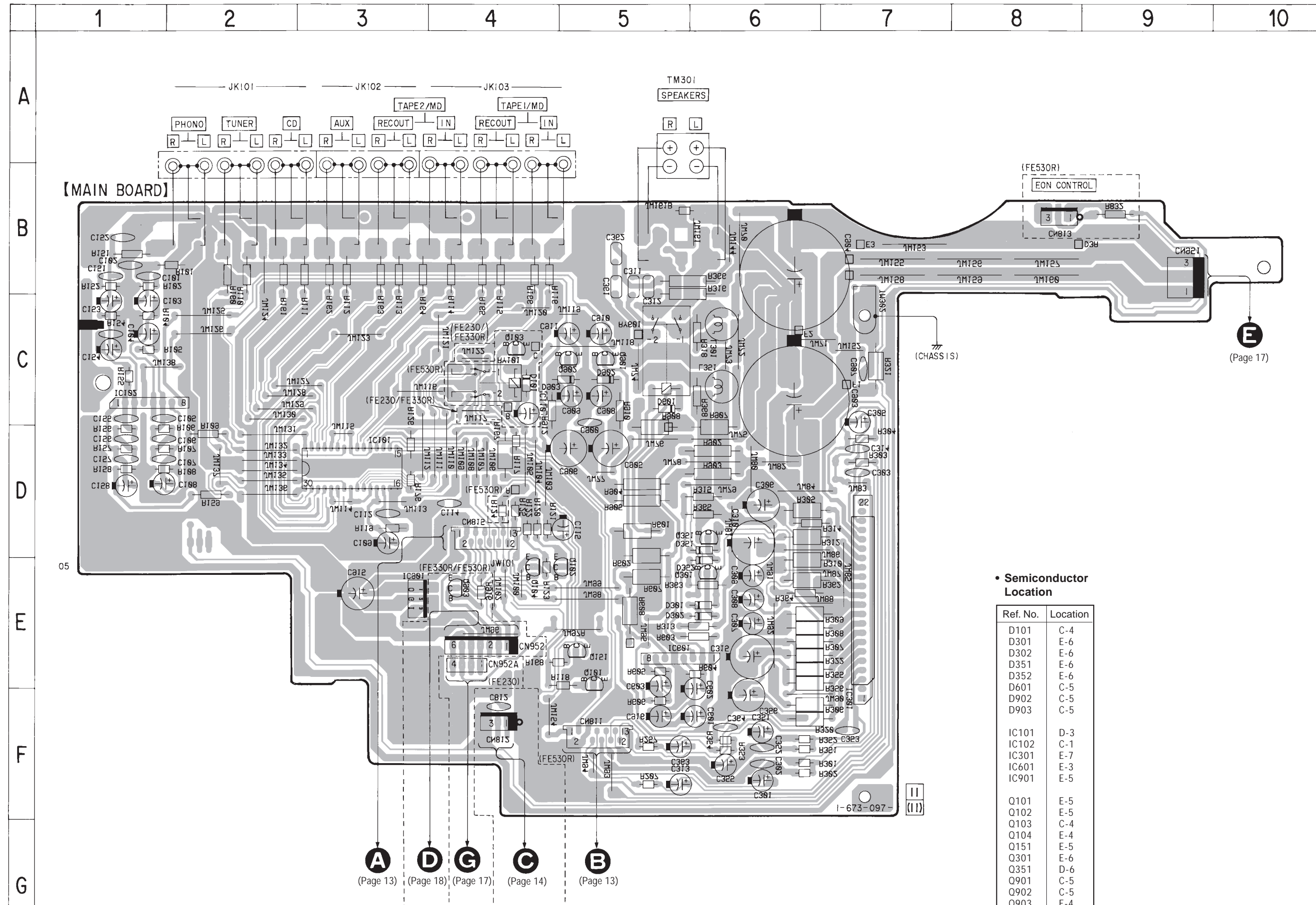
- All capacitors are in μF unless otherwise noted. pF: μpF
50 WV or less are not indicated except for electrolytics and tantalums.
- All resistors are in Ω and $1/4\text{W}$ or less unless otherwise specified.
- : internal component.
- : nonflammable resistor.
- : fusible resistor.
- : panel designation.

Note: The components identified by mark \triangle or dotted line with mark \triangle are critical for safety.
Replace only with part number specified.

- : B+ Line.
- : B- Line.
- Voltages are dc with respect to ground under no-signal conditions.
no mark : TUNER
- Voltages are taken with a VOM (Input impedance 10 M Ω).
Voltage variations may be noted due to normal production tolerances.
- Signal path.
 - : TUNER
 - : TAPE1/DAT IN
 - : REC OUT
 - : TAPE2/MD IN
 - : CD
 - : PHONO

• Circuit Boards Location





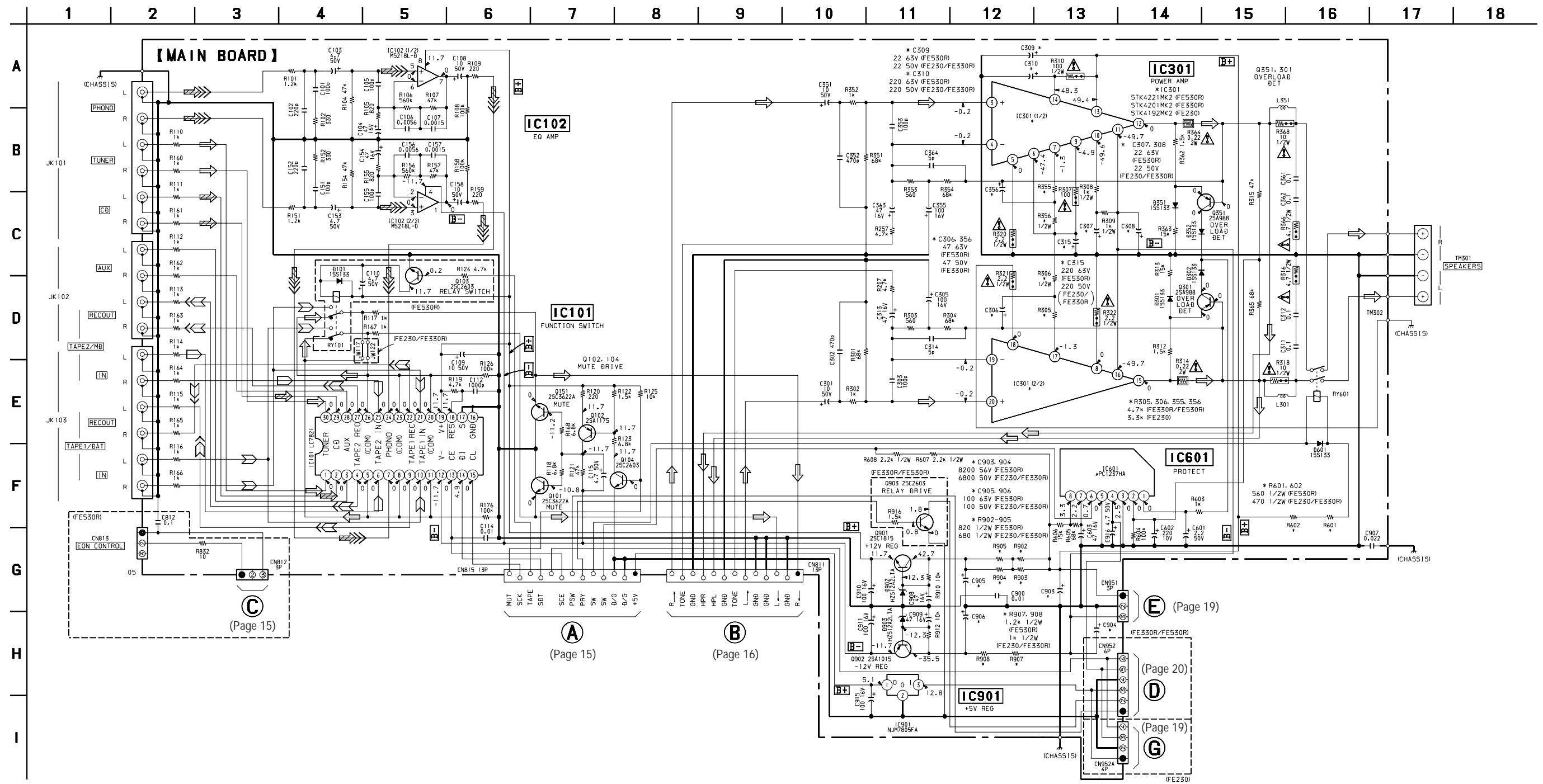
• Semiconductor Location

Ref. No.	Location
D101	C-4
D301	E-6
D302	E-6
D351	E-6
D352	E-6
D601	C-5
D902	C-5
D903	C-5
IC101	D-3
IC102	C-1
IC301	E-7
IC601	E-3
IC901	E-5
Q101	E-5
Q102	E-5
Q103	C-4
Q104	E-4
Q151	E-5
Q301	E-6
Q351	D-6
Q901	C-5
Q902	C-5
Q903	E-4

A (Page 13) **D** (Page 18) **G** (Page 17) **C** (Page 14) **B** (Page 13)

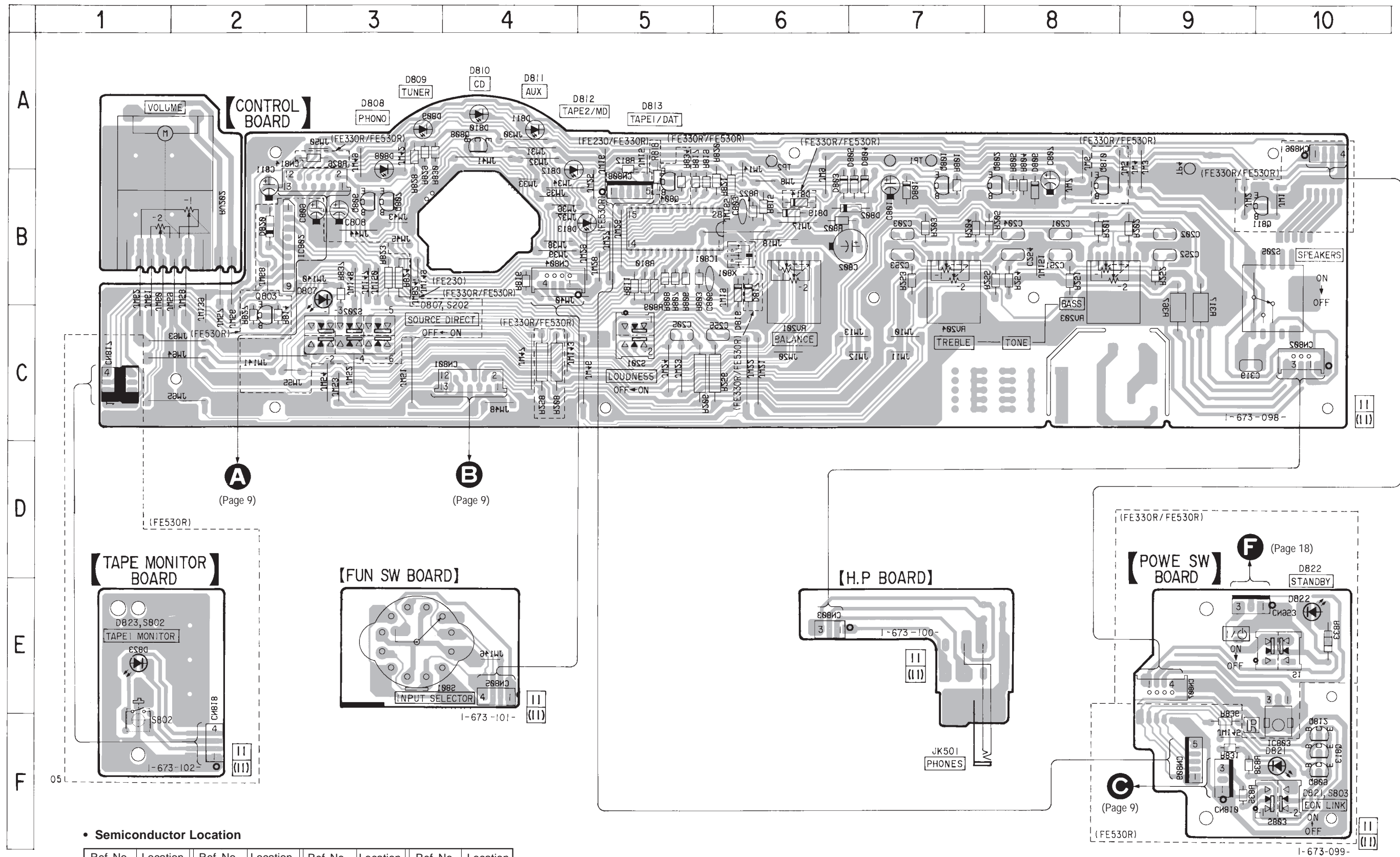
E (Page 17)

3-3. SCHEMATIC DIAGRAM – MAIN Section – • See page 21 for IC Block Diagrams.



The components identified by mark Δ or dotted line with mark Δ are critical for safety. Replace only with part number specified.

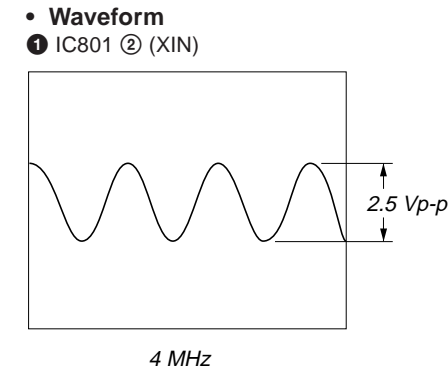
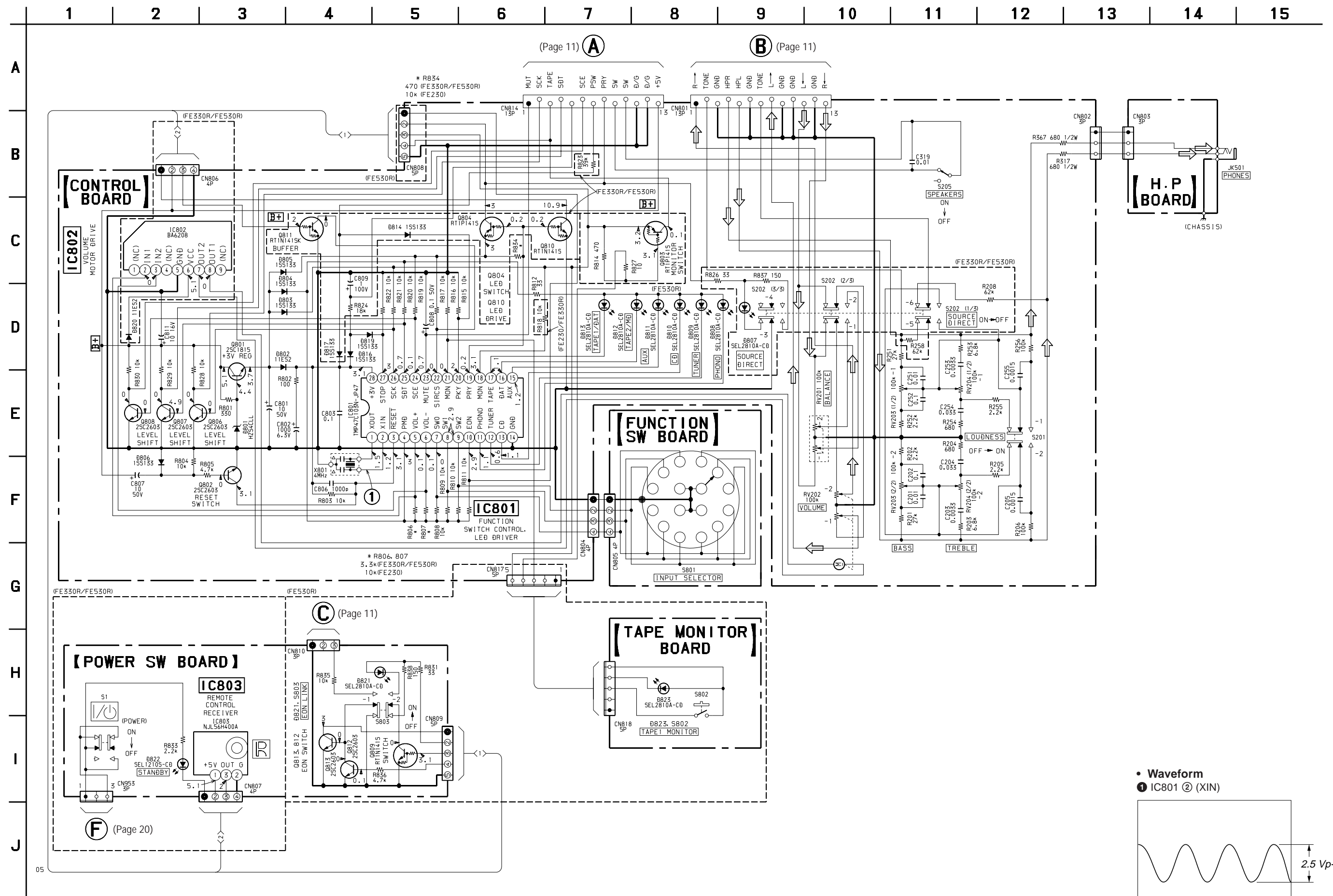
3-4. PRINTED WIRING BOARDS – PANEL Section – • See page 8 for Circuit Boards Location.



• Semiconductor Location

Ref. No.	Location	Ref. No.	Location	Ref. No.	Location	Ref. No.	Location
D801	B-7	D811	A-4	IC801	B-5	Q809	F-10
D802	B-7	D812	B-4	IC802	B-2	Q810	B-8
D803	B-6	D813	B-5	IC803	F-10	Q811	B-10
D804	B-7	D814	B-6			Q812	F-10
D805	B-7	D816	B-6	Q801	B-7	Q813	F-10
D806	B-8	D817	B-6	Q802	B-8		
D807	B-3	D819	B-6	Q803	C-2		
D808	A-3	D820	B-2	Q804	B-5		
D809	A-3	D821	F-10	Q806	B-3		
D810	A-4	D822	E-10	Q807	B-3		
		D823	E-1	Q808	A-4		

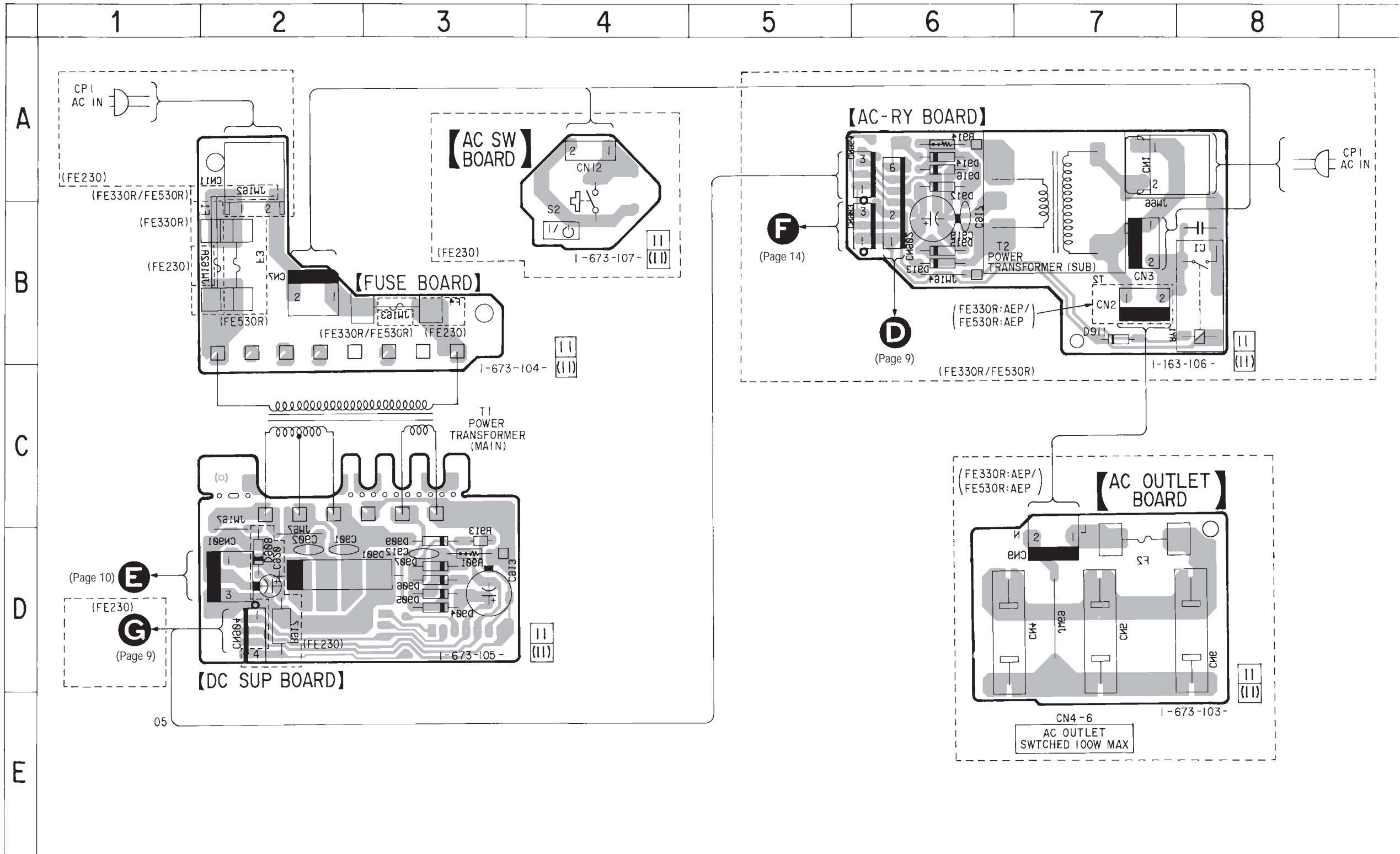
3-5. SCHEMATIC DIAGRAM – PANEL Section – • See page 21 for IC Block Diagrams.



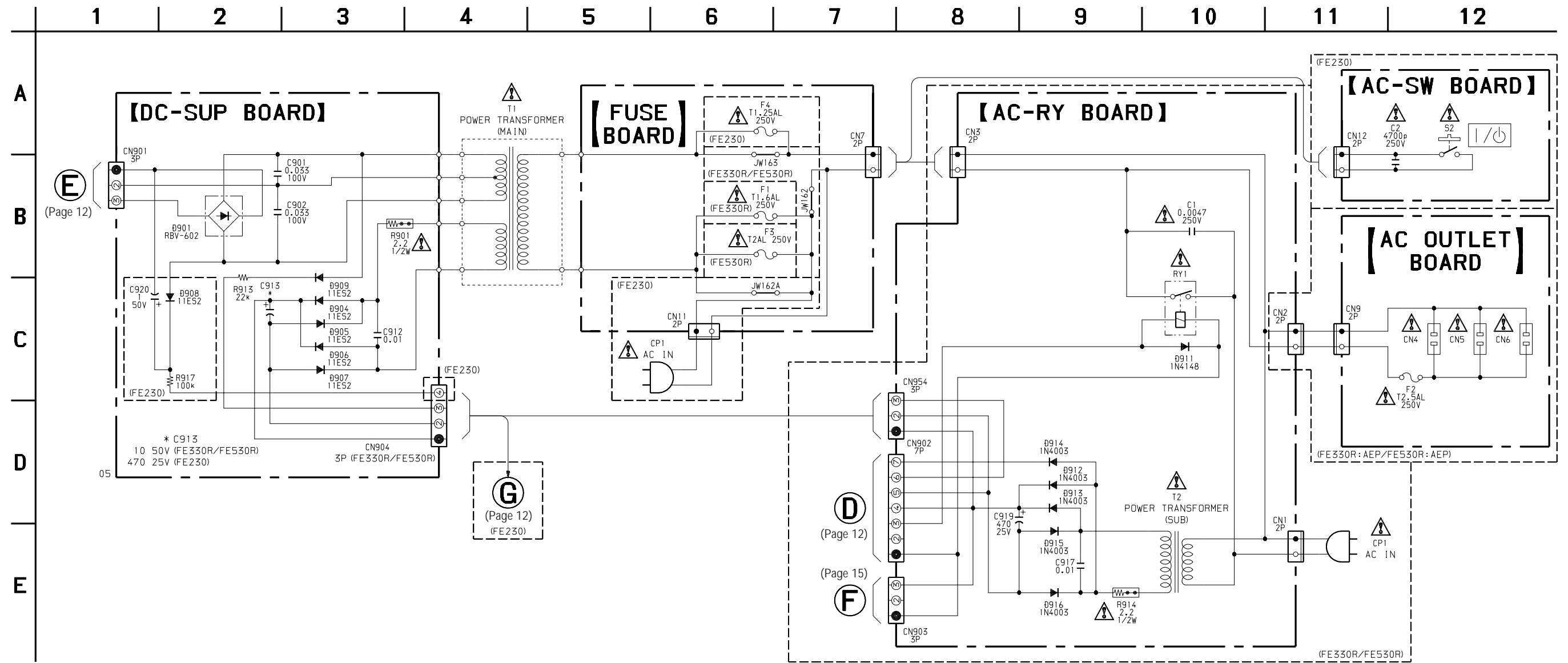
3-6. PRINTED WIRING BOARDS – POWER Section – • See page 8 for Circuit Boards Location.

• Semiconductor Location

Ref. No.	Location
D901	D-2
D904	D-3
D905	D-3
D906	D-3
D907	D-3
D908	D-2
D909	D-3
D911	B-7
D912	A-6
D913	B-6
D914	A-6
D915	B-6
D916	A-6



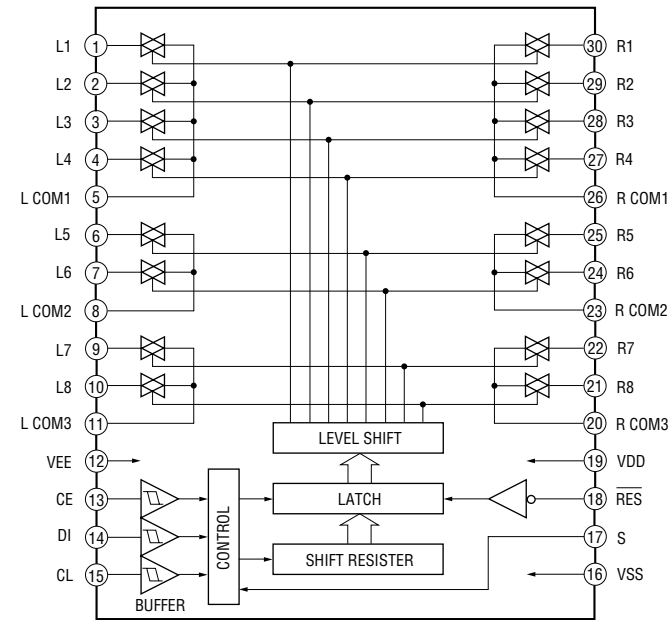
3-7. SCHEMATIC DIAGRAM – POWER Section –



The components identified by mark ⚠ or dotted line with mark ⚠ are critical for safety. Replace only with part number specified.

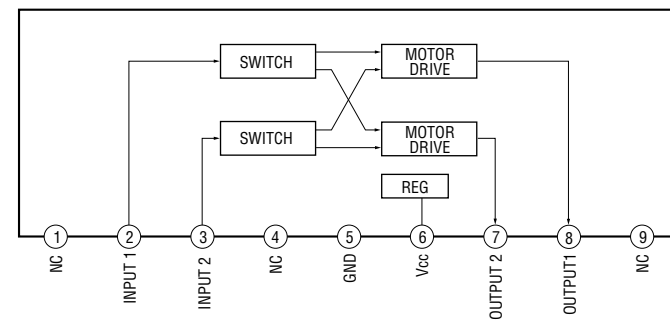
• IC Block Diagrams
– MAIN Board –

IC101 LC7821

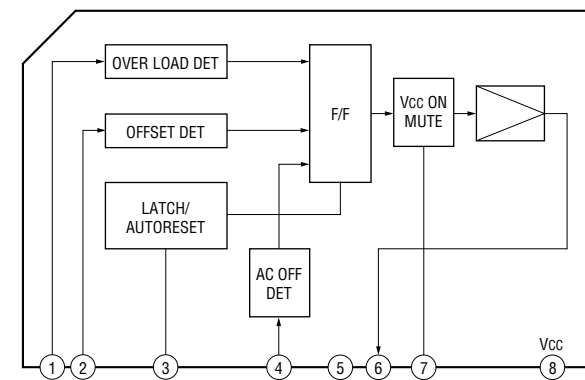


– CONTROL Board –

IC802 BA6208 (TA-FE330R/FE530R)



IC601 μ PC1237HA



3-8. IC PIN FUNCTION DESCRIPTION

• CONTROL BOARD IC801 TMP47C103N-JP47 (FUNCTION SWITCH CONTROL, LED DRIVER)

Pin No.	Pin Name	I/O	Description
1	XOUT	O	Main system clock output terminal (4 MHz)
2	XIN	I	Main system clock input terminal (4 MHz)
3	RESET	I	System reset signal input terminal "L": reset For several hundreds msec. after the power supply rises, "L" is input, then it changes to "H"
4	PMD	I	Setting terminal for the model TA-FE230: fixed at "L", TA-FE330R/FE530R: fixed at "H"
5	VOL+	O	Motor drive signal output to the volume motor drive (IC802) (volume up direction) Used for the TA-FE330R/FE530R only (TA-FE230: Not used (pull up))
6	VOL-	O	Motor drive signal output to the volume motor drive (IC802) (volume down direction) Used for the TA-FE330R/FE530R only (TA-FE230: Not used (pull up))
7	SW0	I	Rotary switch input of the INPUT SELECTOR (S801)
8	SW1	I	
9	SW2	I	
10	EON	I	Detection signal input of the enhanced other networks (EON) Used for the TA-FE530R only (TA-FE230/FE330R: Not used (fixed at "H"))
11	PHONO	O	LED drive signal output of the PHONO LED (D808) "L": LED on
12	TUNER	O	LED drive signal output of the TUNER LED (D809) "L": LED on
13	CD	O	LED drive signal output of the CD LED (D810) "L": LED on
14	GND	—	Ground terminal
15	AUX	O	LED drive signal output of the AUX LED (D811) "L": LED on
16	DAT	O	LED drive signal output of the TAPE2/MD LED (D812) "L": LED on
17	TAPE	O	LED drive signal output of the TAPE1/DAT LED (D813) "L": LED on
18	MON	O	Tape monitor on/off control signal output terminal "L": tape monitor on Used for the TA-FE530R only (TA-FE230/FE330R: Not used (pull up))
19	PRY	O	AC on/off relay drive signal output terminal "L": power on, "H": standby mode Used for the TA-FE330R/FE530R only (TA-FE230: Not used (pull up))
20	PKY	I	Power switch (S1; I \odot) input terminal "H": power on Used for the TA-FE330R/FE530R only (TA-FE230: Not used (fixed at "H"))
21	MON	I	TAPE1 MONITOR switch (S802) input terminal When pressing the key: "H" Used for the TA-FE530R only (TA-FE230/FE330R: Not used (fixed at "H"))
22	SIRCS	I	Sircs signal input from the remote control receiver (IC803) Used for the TA-FE330R/FE530R only (TA-FE230: Not used (pull up))
23	MUTE	O	Audio line muting on/off control signal output terminal "H": muting on
24	SCE	O	Chip enable signal output to the function switch (IC101)
25	SDT	O	Serial data output to the function switch (IC101)
26	SCK	O	Serial data transfer clock signal output to the function switch (IC101)
27	STOP	I	Detection signal input of the AC input
28	+3V	—	Power supply terminal (+3V)

SECTION 4 EXPLODED VIEWS

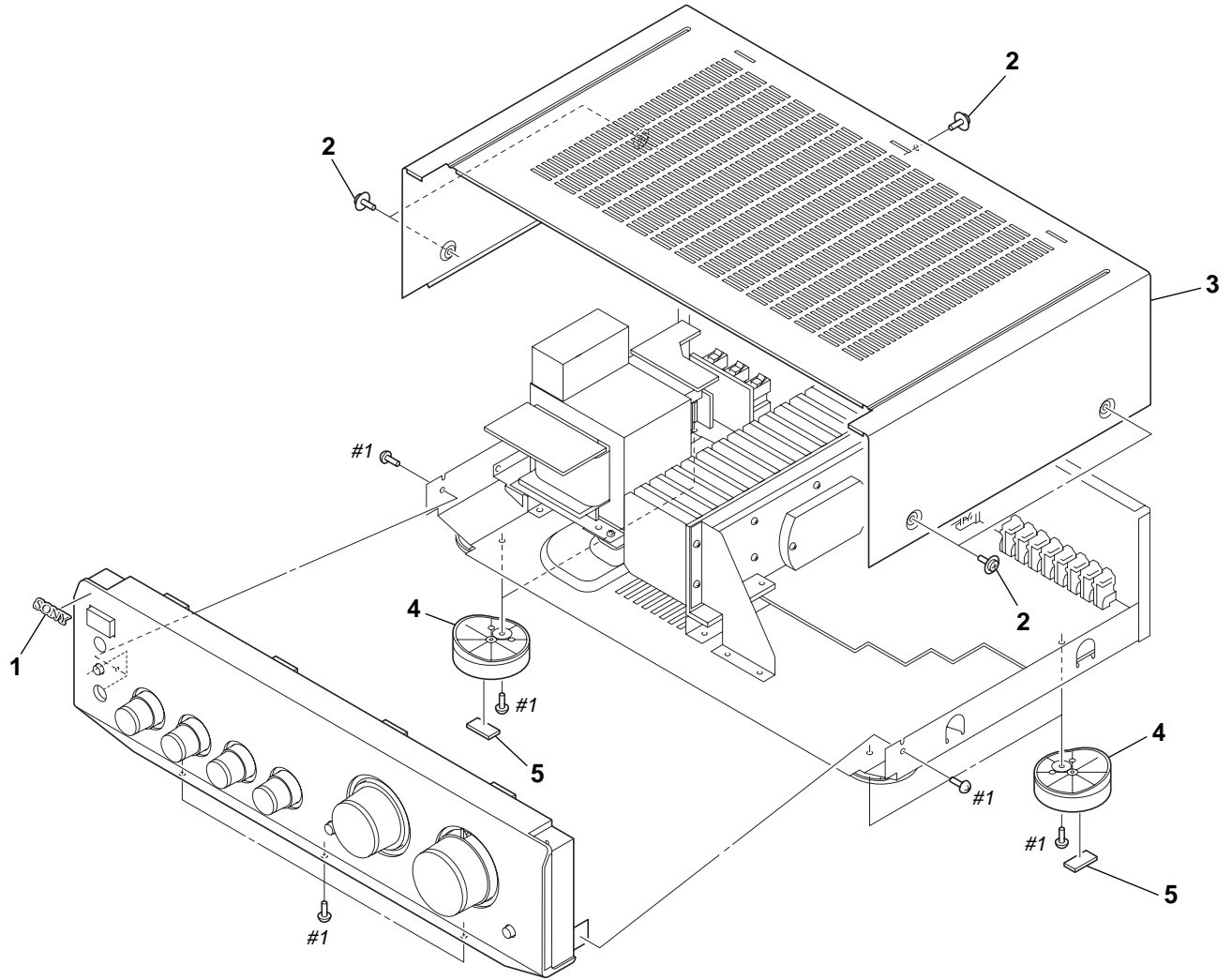
NOTE:

- -XX and -X mean standardized parts, so they may have some difference from the original one.
- Color Indication of Appearance Parts
Example:
KNOB, BALANCE (WHITE) . . . (RED)
 ↑ ↑
 Parts Color Cabinet's Color

- Items marked "*" are not stocked since they are seldom required for routine service. Some delay should be anticipated when ordering these items.
- The mechanical parts with no reference number in the exploded views are not supplied.
- Hardware (# mark) list and accessories and packing materials are given in the last of the electrical parts list.

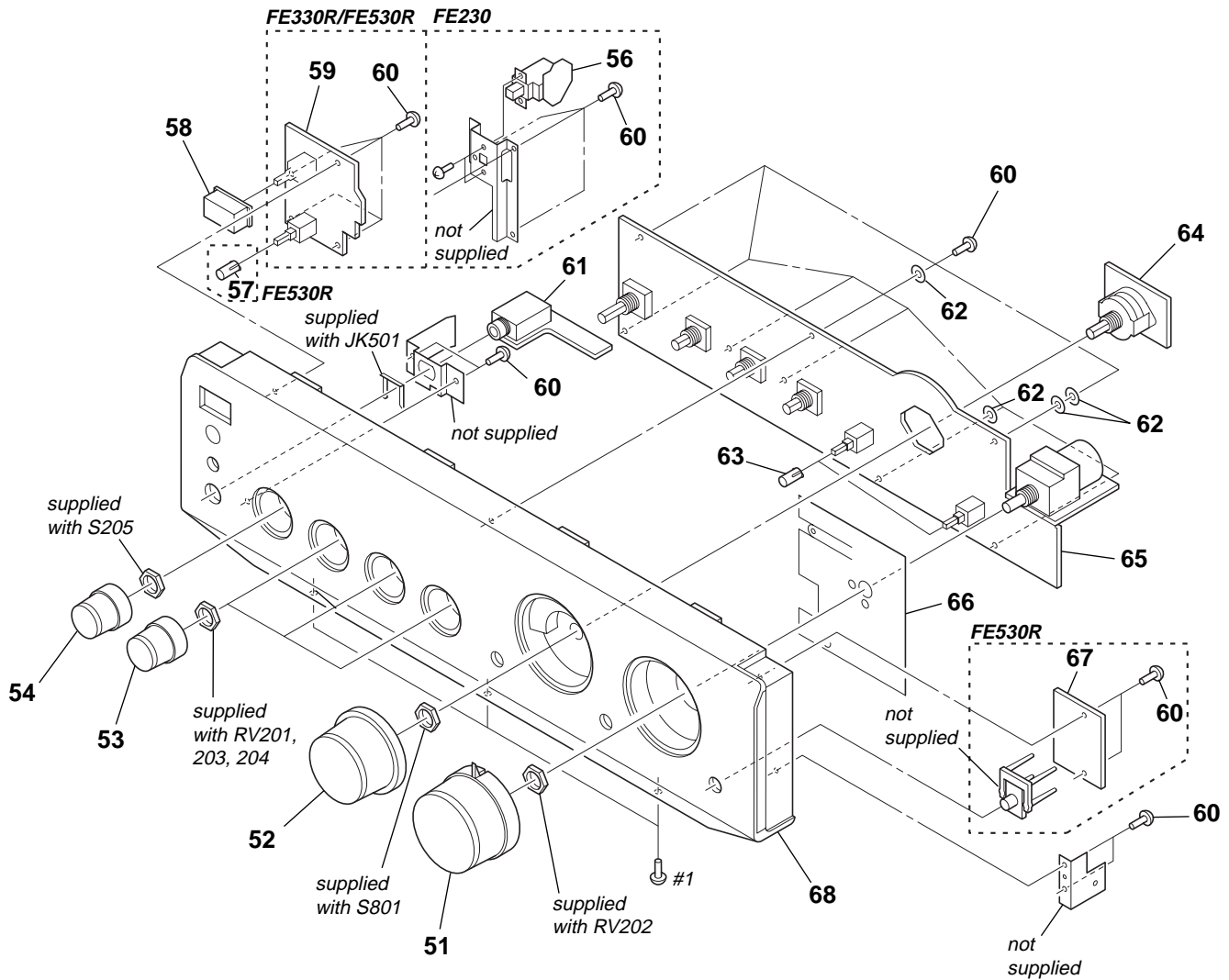
The components identified by mark Δ or dotted line with mark Δ are critical for safety. Replace only with part number specified.

(1) CASE SECTION



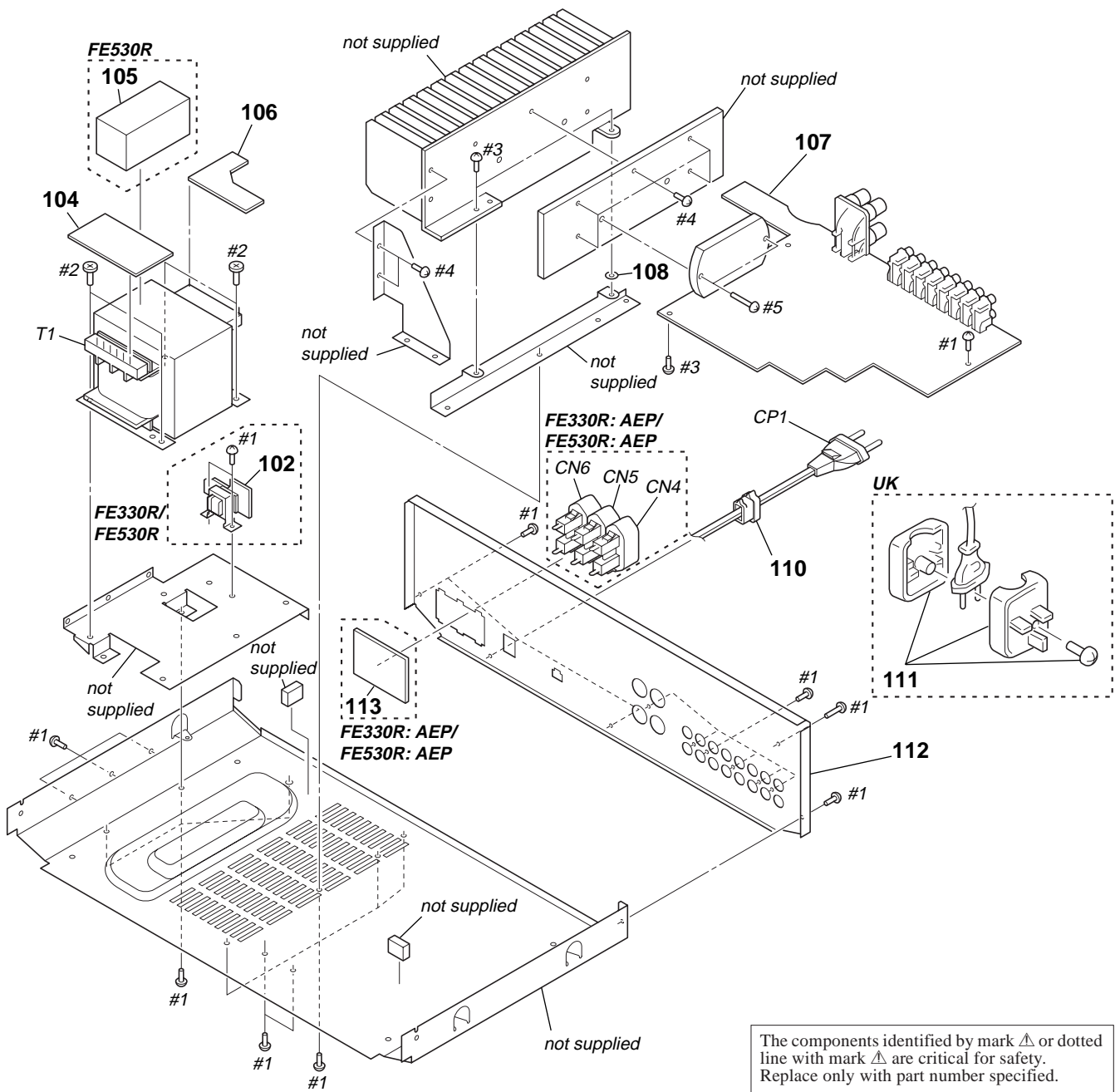
Ref. No.	Part No.	Description	Remark	Ref. No.	Part No.	Description	Remark
1	4-996-698-41	EMBLEM, SONY		* 3	4-211-940-31	CASE (SILVER)	
2	3-704-366-01	SCREW (CASE) (M3X8) (BLACK)		4	4-977-591-01	FOOT (F50150S) (BLACK)	
	3-704-366-71	SCREW (CASE) (SILVER)		4	4-977-591-31	FOOT (F50150S) (SILVER)	
* 3	4-211-940-21	CASE (BLACK)		* 5	4-978-398-21	CUSHION	

(2) FRONT PANEL SECTION



Ref. No.	Part No.	Description	Remark	Ref. No.	Part No.	Description	Remark
51	X-4950-306-1	KNOB ASSY, VOLUME (BLACK)		61	1-673-100-11	H. P BOARD	
51	X-4950-307-1	KNOB ASSY, VOLUME (SILVER)		62	4-211-951-01	WASHER (FIBER DIA. 8)	
52	4-211-947-01	KNOB (FUNCTION) (BLACK)		63	4-211-948-01	BUTTON (LOUDNESS) (BLACK)	
52	4-211-947-11	KNOB (FUNCTION) (SILVER)		63	4-211-948-11	BUTTON (LOUDNESS) (SILVER)	
53	4-211-945-01	KNOB (BALANCE) (BLACK)		* 64	1-673-101-11	FUN-SW BOARD	
53	4-211-945-11	KNOB (BALANCE) (SILVER)		* 65	A-4419-874-A	CONTROL BOARD, COMPLETE (FE230)	
54	4-211-950-01	KNOB (SPEAKER) (BLACK)		* 65	A-4419-881-A	CONTROL BOARD, COMPLETE (FE330R)	
54	4-211-950-11	KNOB (SPEAKER) (SILVER)		* 65	A-4419-892-A	CONTROL BOARD, COMPLETE (FE530R)	
* 56	1-673-107-11	AC-SW BOARD (FE230)		* 66	4-211-953-01	SHIELD (VOLUME)	
57	4-211-946-01	BUTTON (LINK) (BLACK)		* 67	1-673-102-11	TAPE MONITOR BOARD (FE530R)	
57	4-211-946-11	BUTTON (LINK) (SILVER)		68	X-4951-634-1	PANEL ASSY (BLACK)	
58	4-211-949-01	BUTTON, POWER (BLACK)		68	X-4951-635-1	PANEL ASSY (SILVER)	
58	4-211-949-11	BUTTON, POWER (SILVER)		68	X-4951-636-1	PANEL ASSY (FE330R)	
* 59	1-673-099-11	POWER SW BOARD (FE330R/FE530R)		68	X-4951-637-1	PANEL ASSY (FE230)	
60	4-951-620-01	SCREW (2.6X8), +BVTP					

(3) CHASSIS SECTION



The components identified by mark Δ or dotted line with mark Δ are critical for safety. Replace only with part number specified.

Ref. No.	Part No.	Description	Remark	Ref. No.	Part No.	Description	Remark
* 102	1-673-106-11	AC-RY BOARD (FE330R/FE530R)		* 112	4-211-938-71	PANEL, BACK (FE230: UK)	
* 104	1-673-105-11	DC-SUP BOARD		* 112	4-211-938-81	PANEL, BACK (FE530R: UK)	
105	4-221-642-01	CUSHION		* 113	1-673-103-11	AC OUTLET BOARD	
* 106	1-673-104-11	FUSE BOARD				(FE330R: AEP/FE530R: AEP)	
* 107	A-4419-873-A	MAIN BOARD, COMPLETE (FE230)		Δ CN4	1-526-794-11	OUTLET, AC (AC OUTLET, SWITCHED 100W MAX) (FE330R: AEP/FE530R: AEP)	
* 107	A-4419-880-A	MAIN BOARD, COMPLETE (FE330R)		Δ CN5	1-526-794-11	OUTLET, AC (AC OUTLET, SWITCHED 100W MAX) (FE330R: AEP/FE530R: AEP)	
* 107	A-4419-891-A	MAIN BOARD, COMPLETE (FE530R)		Δ CN6	1-526-794-11	OUTLET, AC (AC OUTLET, SWITCHED 100W MAX) (FE330R: AEP/FE530R: AEP)	
108	4-211-952-01	WASHER (FIBER DIA. 10)		Δ CP1	1-575-651-21	CORD, POWER	
* 110	3-703-244-00	BUSHING (2104), CORD		Δ T1	1-433-621-11	TRANSFORMER, POWER (FE230)	
Δ 111	1-770-019-11	ADAPTOR, CONVERSION PLUG 3P (UK)		Δ T1	1-431-802-11	TRANSFORMER, POWER (FE530R)	
* 112	4-211-938-31	PANEL, BACK (FE530R: AEP)		Δ T1	1-431-803-11	TRANSFORMER, POWER (FE330R)	
* 112	4-211-938-41	PANEL, BACK (FE330R: AEP)					
* 112	4-211-938-51	PANEL, BACK (FE330R: UK)					
* 112	4-211-938-61	PANEL, BACK (FE230: AEP)					

AC OUTLET**AC-RY****AC-SW****CONTROL****SECTION 5
ELECTRICAL PARTS LIST****NOTE:**

- Due to standardization, replacements in the parts list may be different from the parts specified in the diagrams or the components used on the set.
- -XX and -X mean standardized parts, so they may have some difference from the original one.
- RESISTORS
All resistors are in ohms.
METAL: Metal-film resistor.
METAL OXIDE: Metal oxide-film resistor.
F: nonflammable
- Abbreviation
EE : East European

- Items marked “*” are not stocked since they are seldom required for routine service. Some delay should be anticipated when ordering these items.
- SEMICONDUCTORS
In each case, u: μ , for example:
uA. . : μ A. . uPA. . : μ PA. .
uPB. . : μ PB. . uPC. . : μ PC. .
uPD. . : μ PD. .
- CAPACITORS
uF: μ F
- COILS
uH: μ H

The components identified by mark Δ or dotted line with mark Δ are critical for safety. Replace only with part number specified.

When indicating parts by reference number, please include the board.

Ref. No.	Part No.	Description	Remark	Ref. No.	Part No.	Description	Remark
*	1-673-103-11	AC OUTLET BOARD (FE330R: AEP/FE530R: AEP) *****				< RELAY >	
	1-533-293-11	FUSE HOLDER < AC OUTLET >		Δ RY1	1-755-018-11	RELAY	
						< TRANSFORMER >	
Δ CN4	1-526-794-11	OUTLET, AC (AC OUTLET, SWITCHED 100W MAX)		Δ T2	1-433-787-11	TRANSFORMER, POWER (SUB) *****	
Δ CN5	1-526-794-11	OUTLET, AC (AC OUTLET, SWITCHED 100W MAX)		*	1-673-107-11	AC-SW BOARD (FE230) *****	
Δ CN6	1-526-794-11	OUTLET, AC (AC OUTLET, SWITCHED 100W MAX) < FUSE >				< CAPACITOR >	
Δ F2	1-532-464-51	FUSE (T2.5AL/250V) *****		Δ C2	1-113-924-11	CERAMIC 0.0047uF 20% 250V < SWITCH >	
*	1-673-106-11	AC-RY BOARD (FE330R/FE530R) *****		Δ S2	1-554-920-11	SWITCH, PUSH (AC POWER) (1 KEY) (I/O) *****	
		< CAPACITOR >		*	A-4419-874-A	CONTROL BOARD, COMPLETE (FE230)	
Δ C1	1-113-924-11	CERAMIC 0.0047uF 20% 250V		*	A-4419-881-A	CONTROL BOARD, COMPLETE (FE330R)	
C917	1-136-153-00	FILM 0.01uF 5% 50V		*	A-4419-892-A	CONTROL BOARD, COMPLETE (FE530R) *****	
C919	1-126-941-11	ELECT 470uF 20% 25V		*	4-211-967-01	HOLDER (LED) < CAPACITOR >	
		< CONNECTOR >		C201	1-136-153-00	FILM 0.01uF 5% 50V	
* CN1	1-580-230-31	PIN, CONNECTOR (PC BOARD) 2P		C202	1-136-165-00	FILM 0.1uF 5% 50V	
CN2	1-564-321-00	PIN, CONNECTOR 2P (FE330R: AEP/FE530R: AEP)		C203	1-130-477-00	MYLAR 0.0033uF 5% 50V	
* CN903	1-564-506-11	PLUG, CONNECTOR 3P		C204	1-130-489-11	MYLAR 0.033uF 5% 50V	
* CN954	1-564-506-11	PLUG, CONNECTOR 3P < DIODE >		C205	1-130-473-00	MYLAR 0.0015uF 5% 50V	
D911	8-719-911-19	DIODE 1SS119		C251	1-136-153-00	FILM 0.01uF 5% 50V	
D912	8-719-200-82	DIODE 11ES2		C252	1-136-165-00	FILM 0.1uF 5% 50V	
D913	8-719-200-82	DIODE 11ES2		C253	1-130-477-00	MYLAR 0.0033uF 5% 50V	
D914	8-719-200-82	DIODE 11ES2		C254	1-130-489-11	MYLAR 0.033uF 5% 50V	
D915	8-719-200-82	DIODE 11ES2		C255	1-130-473-00	MYLAR 0.0015uF 5% 50V	
D916	8-719-200-82	DIODE 11ES2 < RESISTOR >		C319	1-136-153-00	FILM 0.01uF 5% 50V	
Δ R914	1-212-942-00	FUSIBLE 2.2 5% 1/2W F		C801	1-126-964-11	ELECT 10uF 20% 50V	
				C802	1-126-916-11	ELECT 1000uF 20% 6.3V	
				C803	1-164-159-11	CERAMIC 0.1uF 50V	
				C806	1-164-085-11	CERAMIC 0.001uF 10% 50V	
				C807	1-126-964-11	ELECT 10uF 20% 50V	
				C808	1-126-956-11	ELECT 0.1uF 20% 50V	
				C809	1-128-578-11	ELECT 1uF 20% 100V (FE330R/FE530R)	

CONTROL

Ref. No.	Part No.	Description	Remark	Ref. No.	Part No.	Description	Remark
C811	1-126-964-11	ELECT	10uF 20% 50V (FE330R/FE530R)	R208	1-247-874-11	CARBON	62K 5% 1/4W (FE330R/FE530R)
< CONNECTOR >				R251	1-249-434-11	CARBON	27K 5% 1/4W
* CN801	1-568-832-11	SOCKET, CONNECTOR 13P		R252	1-247-839-11	CARBON	2.2K 5% 1/4W
CN802	1-770-396-11	HOUSING, CONNECTOR (PC BOARD) 3P		R253	1-249-427-11	CARBON	6.8K 5% 1/4W
CN804	1-770-397-11	HOUSING, CONNECTOR (PC BOARD) 4P		R254	1-247-827-11	CARBON	680 5% 1/4W
CN808	1-564-707-11	PIN, CONNECTOR (SMALL TYPE) 5P (FE530R)		R255	1-247-839-11	CARBON	2.2K 5% 1/4W
* CN814	1-568-832-11	SOCKET, CONNECTOR 13P		R256	1-249-469-11	CARBON	100K 5% 1/4W
* CN817	1-565-970-11	SOCKET, CONNECTOR(PC BOARD) 5P (FE530R)		R258	1-247-874-11	CARBON	62K 5% 1/4W (FE330R/FE530R)
< DIODE >				R317	1-247-750-11	CARBON	680 5% 1/2W
D801	8-719-985-59	DIODE HZS4CLL-TA		R367	1-247-750-11	CARBON	680 5% 1/2W
D802	8-719-200-82	DIODE 11ES2		R801	1-249-411-11	CARBON	330 5% 1/4W
D803	8-719-911-19	DIODE 1SS119		R802	1-247-807-11	CARBON	100 5% 1/4W
D804	8-719-911-19	DIODE 1SS119		R803	1-247-855-11	CARBON	10K 5% 1/4W
D805	8-719-911-19	DIODE 1SS119		R804	1-247-855-11	CARBON	10K 5% 1/4W
D806	8-719-911-19	DIODE 1SS119		R805	1-247-847-11	CARBON	4.7K 5% 1/4W
D807	8-719-301-49	LED SEL2810A (SOURCE DIRECT) (FE330R/FE530R)		R806	1-247-843-11	CARBON	3.3K 5% 1/4W (FE330R/FE530R)
D808	8-719-301-49	LED SEL2810A (PHONO)		R806	1-247-855-11	CARBON	10K 5% 1/4W (FE230)
D809	8-719-301-49	LED SEL2810A (TUNER)		R807	1-247-843-11	CARBON	3.3K 5% 1/4W (FE330R/FE530R)
D810	8-719-301-49	LED SEL2810A (CD)		R807	1-247-855-11	CARBON	10K 5% 1/4W (FE230)
D811	8-719-301-49	LED SEL2810A (AUX)		R808	1-247-855-11	CARBON	10K 5% 1/4W
D812	8-719-301-49	LED SEL2810A (TAPE2/MD)		R809	1-247-855-11	CARBON	10K 5% 1/4W
D813	8-719-301-49	LED SEL2810A (TAPE1/DAT)		R810	1-247-855-11	CARBON	10K 5% 1/4W
D814	8-719-911-19	DIODE 1SS119 (FE330R/FE530R)		R811	1-247-855-11	CARBON	10K 5% 1/4W
D816	8-719-911-19	DIODE 1SS119		R812	1-249-399-11	CARBON	33 5% 1/4W
D817	8-719-911-19	DIODE 1SS119 (FE330R/FE530R)		R814	1-249-413-11	CARBON	470 5% 1/4W (FE530R)
D819	8-719-911-19	DIODE 1SS119		R815	1-247-855-11	CARBON	10K 5% 1/4W
D820	8-719-200-82	DIODE 11ES2 (FE330R/FE530R)		R816	1-247-855-11	CARBON	10K 5% 1/4W
< IC >				R817	1-247-855-11	CARBON	10K 5% 1/4W
IC801	8-759-392-41	IC TMP47C103N-JP47		R818	1-247-855-11	CARBON	10K 5% 1/4W (FE230/FE330R)
IC802	8-759-962-08	IC BA6208 (FE330R/FE530R)		R819	1-247-855-11	CARBON	10K 5% 1/4W
< TRANSISTOR >				R820	1-247-855-11	CARBON	10K 5% 1/4W
Q801	8-729-119-78	TRANSISTOR 2SC403SP-51		R821	1-247-855-11	CARBON	10K 5% 1/4W
Q802	8-729-620-05	TRANSISTOR 2SC2603-EF		R822	1-247-855-11	CARBON	10K 5% 1/4W
Q803	8-729-029-20	TRANSISTOR RT1P141S-TP (FE530R)		R823	1-249-436-11	CARBON	39K 5% 1/4W (FE330R/FE530R)
Q804	8-729-029-20	TRANSISTOR RT1P141S-TP (FE330R/FE530R)		R824	1-247-879-11	CARBON	100K 5% 1/4W (FE230)
Q806	8-729-620-05	TRANSISTOR 2SC2603-EF		R824	1-249-432-11	CARBON	18K 5% 1/4W (FE330R/FE530R)
Q807	8-729-620-05	TRANSISTOR 2SC2603-EF		R826	1-249-399-11	CARBON	33 5% 1/4W (FE330R/FE530R)
Q808	8-729-620-05	TRANSISTOR 2SC2603-EF		R827	1-249-393-11	CARBON	10 5% 1/4W (FE530R)
Q810	8-729-029-66	TRANSISTOR DTC114ESA (FE330R/FE530R)		R828	1-247-855-11	CARBON	10K 5% 1/4W
Q811	8-729-029-66	TRANSISTOR DTC114ESA (FE330R/FE530R)		R829	1-247-855-11	CARBON	10K 5% 1/4W
< RESISTOR >				R830	1-247-855-11	CARBON	10K 5% 1/4W
R201	1-249-434-11	CARBON	27K 5% 1/4W	R834	1-247-855-11	CARBON	10K 5% 1/4W (FE230)
R202	1-247-839-11	CARBON	2.2K 5% 1/4W	R834	1-249-413-11	CARBON	470 5% 1/4W (FE330R/FE530R)
R203	1-249-427-11	CARBON	6.8K 5% 1/4W	R837	1-249-407-11	CARBON	150 5% 1/4W (FE330R/FE530R)
R204	1-247-827-11	CARBON	680 5% 1/4W				
R205	1-247-839-11	CARBON	2.2K 5% 1/4W				
R206	1-249-469-11	CARBON	100K 5% 1/4W				

CONTROL **DC-SUP** **FUN-SW**
FUSE **H.P** **MAIN**

Ref. No.	Part No.	Description	Remark
		< VARIABLE RESISTOR >	
RV201	1-223-396-11	RES, VAR, CARBON 100K/100K (BALANCE)	
RV202	1-241-426-11	RES, VAR, CARBON 100KX2 (VOLUME) (FE330R/FE530R)	
RV202	1-241-408-11	RES, VAR, CARBON 100K/100K (VOLUME) (FE230)	
RV203	1-223-397-11	RES, VAR, CARBON 100K/100K (BASS)	
RV204	1-223-397-11	RES, VAR, CARBON 100K/100K (TREBLE)	
		< SWITCH >	
S201	1-571-112-21	SWITCH, PUSH (1 KEY) (LOUDNESS)	
S202	1-571-828-11	SWITCH, PUSH (1 KEY) (SOURCE DIRECT) (FE330R/FE530R)	
S205	1-771-369-11	SWITCH, ROTARY (SPEAKER)	
		< VIBRATOR >	
X801	1-577-358-21	VIBRATOR, CERAMIC (4MHz)	

*	1-673-105-11	DC-SUP BOARD *****	
		< CAPACITOR >	
C901	1-106-379-12	MYLAR 0.033uF 5% 200V	
C902	1-106-379-12	MYLAR 0.033uF 5% 200V	
C912	1-136-153-00	FILM 0.01uF 5% 50V	
C913	1-126-941-11	ELECT 470uF 20% 25V (FE230)	
C913	1-126-964-11	ELECT 10uF 20% 50V (FE330R/FE530R)	
C920	1-126-960-11	ELECT 1uF 20% 50V (FE230)	
		< CONNECTOR >	
* CN904	1-564-506-11	PLUG, CONNECTOR 3P (FE330R/FE530R)	
		< DIODE >	
D901	8-719-070-64	DIODE RBV-602L	
D904	8-719-200-82	DIODE 11ES2	
D905	8-719-200-82	DIODE 11ES2	
D906	8-719-200-82	DIODE 11ES2	
D907	8-719-200-82	DIODE 11ES2	
D908	8-719-200-82	DIODE 11ES2 (FE230)	
D909	8-719-200-82	DIODE 11ES2	
		< RESISTOR >	
△ R901	1-212-942-00	FUSIBLE 2.2 5% 1/2W F	
R913	1-247-863-11	CARBON 22K 5% 1/4W	
R917	1-249-469-11	CARBON 100K 5% 1/4W (FE230)	

*	1-673-101-11	FUN-SW BOARD *****	
		< SWITCH >	
S801	1-692-974-11	SWITCH, ROTARY (INPUT SELECTOR)	

Ref. No.	Part No.	Description	Remark
*	1-673-104-11	FUSE BOARD *****	
	1-533-293-11	FUSE HOLDER < CONNECTOR >	
CN7	1-564-321-00	PIN, CONNECTOR 2P	
* CN11	1-580-230-31	PIN, CONNECTOR (PC BOARD) 2P (FE230) < FUSE >	
△ F1	1-532-503-51	FUSE (T1.6AL/250V) (FE330R)	
△ F3	1-532-388-51	FUSE (T2AL/250V) (FE530R)	
△ F4	1-532-502-51	FUSE (T1.25AL/250V) (FE230)	

*	1-673-100-11	H. P BOARD *****	
		< JACK >	
JK501	1-785-094-11	JACK (LARGE TYPE) (PHONES)	

*	A-4419-873-A	MAIN BOARD, COMPLETE (FE230)	
*	A-4419-880-A	MAIN BOARD, COMPLETE (FE330R)	
*	A-4419-891-A	MAIN BOARD, COMPLETE (FE530R) *****	
		< CAPACITOR >	
C101	1-102-106-00	CERAMIC 100PF 10% 50V	
C102	1-164-077-11	CERAMIC 220PF 10% 50V	
C103	1-126-963-11	ELECT 4.7uF 20% 50V	
C104	1-104-664-11	ELECT 47uF 20% 16V	
C105	1-102-106-00	CERAMIC 100PF 10% 50V	
C106	1-130-480-00	MYLAR 0.0056uF 5% 50V	
C107	1-130-473-00	MYLAR 0.0015uF 5% 50V	
C108	1-126-964-11	ELECT 10uF 20% 50V	
C109	1-126-964-11	ELECT 10uF 20% 50V	
C110	1-126-963-11	ELECT 4.7uF 20% 50V (FE530R)	
C112	1-164-085-11	CERAMIC 0.001uF 10% 50V	
C114	1-164-096-11	CERAMIC 0.01uF 10% 50V	
C115	1-126-963-11	ELECT 4.7uF 20% 50V	
C151	1-102-106-00	CERAMIC 100PF 10% 50V	
C152	1-164-077-11	CERAMIC 220PF 10% 50V	
C153	1-126-963-11	ELECT 4.7uF 20% 50V	
C154	1-104-664-11	ELECT 47uF 20% 16V	
C155	1-102-106-00	CERAMIC 100PF 10% 50V	
C156	1-130-480-00	MYLAR 0.0056uF 5% 50V	
C157	1-130-473-00	MYLAR 0.0015uF 5% 50V	
C158	1-126-964-11	ELECT 10uF 20% 50V	
C301	1-126-964-11	ELECT 10uF 20% 50V	
C302	1-164-081-11	CERAMIC 470PF 10% 50V	
C303	1-102-106-00	CERAMIC 100PF 10% 50V	
C305	1-126-933-11	ELECT 100uF 20% 16V	
C306	1-126-967-11	ELECT 47uF 20% 50V (FE230/FE330R)	
C306	1-128-552-11	ELECT 47uF 20% 63V (FE530R)	

The components identified by mark △ or dotted line with mark △ are critical for safety. Replace only with part number specified.

Ref. No.	Part No.	Description	Remark	Ref. No.	Part No.	Description	Remark
C307	1-126-965-11	ELECT	22uF 20% 50V (FE230/FE330R)	C910	1-126-933-11	ELECT	100uF 20% 16V
C307	1-128-551-11	ELECT	22uF 20% 63V (FE530R)	C911	1-126-933-11	ELECT	100uF 20% 16V
C308	1-126-965-11	ELECT	22uF 20% 50V (FE230/FE330R)	C915	1-126-933-11	ELECT	100uF 20% 16V
C308	1-128-551-11	ELECT	22uF 20% 63V (FE530R)	C916	1-126-963-11	ELECT	4.7uF 20% 50V
C309	1-126-965-11	ELECT	22uF 20% 50V (FE230/FE330R)	< CONNECTOR >			
C309	1-128-551-11	ELECT	22uF 20% 63V (FE530R)	* CN811	1-568-832-11	SOCKET, CONNECTOR 13P	
C310	1-126-969-11	ELECT	220uF 20% 50V (FE230/FE330R)	* CN815	1-568-832-11	SOCKET, CONNECTOR 13P	
C310	1-128-553-11	ELECT	220uF 20% 63V (FE530R)	* CN812	1-564-506-11	PLUG, CONNECTOR 3P (FE530R)	
C311	1-136-165-00	FILM	0.1uF 5% 50V	CN813	1-566-212-11	PIN, CONNECTOR 3P (EON CONTROL)	(FE530R)
C312	1-136-165-00	FILM	0.1uF 5% 50V	* CN951	1-564-104-00	PIN, CONNECTOR (B3P-VH) 3P	
C313	1-104-664-11	ELECT	47uF 20% 16V	CN952	1-691-768-11	PLUG (MICRO CONNECTOR) 6P	(FE330R/FE530R)
C314	1-164-014-11	CERAMIC	5PF 0.25PF 50V	CN952A	1-691-766-11	PLUG (MICRO CONNECTOR) 4P (FE230)	
C315	1-126-969-11	ELECT	220uF 20% 50V (FE230/FE330R)	< DIODE >			
C315	1-128-553-11	ELECT	220uF 20% 63V (FE530R)	D101	8-719-911-19	DIODE 1SS119 (FE530R)	
C351	1-126-964-11	ELECT	10uF 20% 50V	D301	8-719-911-19	DIODE 1SS119	
C352	1-164-081-11	CERAMIC	470PF 10% 50V	D302	8-719-911-19	DIODE 1SS119	
C353	1-102-106-00	CERAMIC	100PF 10% 50V	D351	8-719-911-19	DIODE 1SS119	
C355	1-126-933-11	ELECT	100uF 20% 16V	D352	8-719-911-19	DIODE 1SS119	
C356	1-126-967-11	ELECT	47uF 20% 50V (FE230/FE330R)	D601	8-719-911-19	DIODE 1SS119	
C356	1-128-552-11	ELECT	47uF 20% 63V (FE530R)	D902	8-719-986-25	DIODE HZS12A2LTA	
C361	1-136-165-00	FILM	0.1uF 5% 50V	D903	8-719-986-25	DIODE HZS12A2LTA	
C362	1-136-165-00	FILM	0.1uF 5% 50V	< IC >			
C363	1-104-664-11	ELECT	47uF 20% 16V	IC101	8-759-805-13	IC LC7821	
C364	1-164-014-11	CERAMIC	5PF 0.25PF 50V	IC102	8-759-184-02	IC NJM2068L-D	
C601	1-126-961-11	ELECT	2.2uF 20% 50V	IC301	8-749-900-78	IC STK-4192MK2 (FE230)	
C602	1-126-934-11	ELECT	220uF 20% 10V	IC301	8-749-920-90	IC STK-4201MK2 (FE330R)	
C603	1-104-664-11	ELECT	47uF 20% 16V	IC301	8-749-922-65	IC STK-4221MK2 (FE530R)	
C812	1-136-165-00	FILM	0.1uF 5% 50V (FE530R)	IC601	8-759-111-68	IC uPC1237HA	
C900	1-136-153-00	FILM	0.01uF 5% 50V	IC901	8-759-701-75	IC NJM7805FA	
C903	1-125-793-11	ELECT	8200uF 20% 56V (FE530R)	< JACK >			
C903	1-125-815-11	ELECT	6800uF 20% 50V (FE230/FE330R)	JK101	1-774-411-11	JACK, PIN 6P (PHONO, TUNER, CD)	
C904	1-125-793-11	ELECT	8200uF 20% 56V (FE530R)	JK102	1-573-028-31	JACK, PIN 4P (AUX, TAPE2/MD (RECOU))	
C904	1-125-815-11	ELECT	6800uF 20% 50V (FE230/FE330R)	JK103	1-770-015-11	JACK, PIN 6P (TAPE2/MD (IN), TAPE1/DAT)	
C905	1-126-968-11	ELECT	100uF 20% 50V (FE230/FE330R)	< COIL >			
C905	1-128-576-11	ELECT	100uF 20% 63V (FE530R)	L301	1-420-872-00	COIL, AIR-CORE	
C906	1-126-968-11	ELECT	100uF 20% 50V (FE230/FE330R)	L351	1-420-872-00	COIL, AIR-CORE	
C906	1-128-576-11	ELECT	100uF 20% 63V (FE530R)	< TRANSISTOR >			
C907	1-164-097-11	CERAMIC	0.022uF 50V	Q101	8-729-141-26	TRANSISTOR 2SC3622A-LK	
C908	1-104-664-11	ELECT	47uF 20% 16V	Q102	8-729-119-77	TRANSISTOR 2SA1175-FEK	
C909	1-104-664-11	ELECT	47uF 20% 16V	Q103	8-729-620-05	TRANSISTOR 2SC2603-EF (FE530R)	
				Q104	8-729-620-05	TRANSISTOR 2SC2603-EF	
				Q151	8-729-141-26	TRANSISTOR 2SC3622A-LK	
				Q301	8-729-140-82	TRANSISTOR 2SA988-PAFAEA	
				Q351	8-729-140-82	TRANSISTOR 2SA988-PAFAEA	
				Q901	8-729-119-78	TRANSISTOR 2SC403SP-51	
				Q902	8-729-201-53	TRANSISTOR 2SA1015-GR	
				Q903	8-729-620-05	TRANSISTOR 2SC2603-EF	(FE330R/FE530R)

MAIN

Ref. No.	Part No.	Description	Remark	Ref. No.	Part No.	Description	Remark
		< RESISTOR >		R306	1-260-334-11	CARBON	3.3K 5% 1/2W (FE230)
R101	1-249-418-11	CARBON	1.2K 5% 1/4W	△R307	1-212-881-11	FUSIBLE	100 5% 1/4W F
R102	1-249-411-11	CARBON	330 5% 1/4W	R308	1-247-752-11	CARBON	1K 5% 1/2W
R104	1-247-871-11	CARBON	47K 5% 1/4W	R309	1-247-752-11	CARBON	1K 5% 1/2W
R105	1-249-416-11	CARBON	820 5% 1/4W	△R310	1-212-982-00	FUSIBLE	100 5% 1/2W F
R106	1-247-897-11	CARBON	560K 5% 1/4W	R312	1-247-715-11	CARBON	1.5K 5% 1/4W
R107	1-247-871-11	CARBON	47K 5% 1/4W	R313	1-249-460-11	CARBON	15K 5% 1/4W
R108	1-247-879-11	CARBON	100K 5% 1/4W	△R314	1-217-151-00	METAL	0.22 10% 2W F
R109	1-249-409-11	CARBON	220 5% 1/4W	R315	1-249-465-11	CARBON	47K 5% 1/4W
R110	1-249-417-11	CARBON	1K 5% 1/4W	△R316	1-212-950-00	FUSIBLE	4.7 5% 1/2W F
R111	1-249-417-11	CARBON	1K 5% 1/4W	△R318	1-212-958-00	FUSIBLE	10 5% 1/2W F
R112	1-249-417-11	CARBON	1K 5% 1/4W	△R320	1-212-942-00	FUSIBLE	2.2 5% 1/2W F
R113	1-249-417-11	CARBON	1K 5% 1/4W	△R321	1-212-942-00	FUSIBLE	2.2 5% 1/2W F
R114	1-249-417-11	CARBON	1K 5% 1/4W	△R322	1-212-942-00	FUSIBLE	2.2 5% 1/2W F
R115	1-249-417-11	CARBON	1K 5% 1/4W	R351	1-249-439-11	CARBON	68K 5% 1/4W
R116	1-249-417-11	CARBON	1K 5% 1/4W	R352	1-249-417-11	CARBON	1K 5% 1/4W
R117	1-249-417-11	CARBON	1K 5% 1/4W	R353	1-247-825-11	CARBON	560 5% 1/4W
R118	1-249-427-11	CARBON	6.8K 5% 1/4W	R354	1-249-439-11	CARBON	68K 5% 1/4W
R119	1-247-847-11	CARBON	4.7K 5% 1/4W	R355	1-247-719-11	CARBON	3.3K 5% 1/4W (FE230)
R120	1-249-409-11	CARBON	220 5% 1/4W	R355	1-247-721-11	CARBON	4.7K 5% 1/4W (FE330R/FE530R)
R121	1-247-871-11	CARBON	47K 5% 1/4W	R356	1-247-760-11	CARBON	4.7K 5% 1/2W (FE330R/FE530R)
R122	1-247-835-11	CARBON	1.5K 5% 1/4W	R356	1-260-334-11	CARBON	3.3K 5% 1/2W (FE230)
R123	1-249-427-11	CARBON	6.8K 5% 1/4W	R362	1-247-715-11	CARBON	1.5K 5% 1/4W
R124	1-247-847-11	CARBON	4.7K 5% 1/4W (FE530R)	R363	1-249-460-11	CARBON	15K 5% 1/4W
R125	1-247-855-11	CARBON	10K 5% 1/4W	△R364	1-217-151-00	METAL	0.22 10% 2W F
R126	1-247-879-11	CARBON	100K 5% 1/4W	R365	1-249-467-11	CARBON	68K 5% 1/4W
R151	1-249-418-11	CARBON	1.2K 5% 1/4W	△R366	1-212-950-00	FUSIBLE	4.7 5% 1/2W F
R152	1-249-411-11	CARBON	330 5% 1/4W	△R368	1-212-958-00	FUSIBLE	10 5% 1/2W F
R154	1-247-871-11	CARBON	47K 5% 1/4W	R601	1-247-747-11	CARBON	470 5% 1/2W (FE230/FE330R)
R155	1-249-416-11	CARBON	820 5% 1/4W	R601	1-247-749-11	CARBON	560 5% 1/2W (FE530R)
R156	1-247-897-11	CARBON	560K 5% 1/4W	R602	1-247-747-11	CARBON	470 5% 1/2W (FE230/FE330R)
R157	1-247-871-11	CARBON	47K 5% 1/4W	R602	1-247-749-11	CARBON	560 5% 1/2W (FE530R)
R158	1-247-879-11	CARBON	100K 5% 1/4W	R603	1-249-417-11	CARBON	1K 5% 1/4W
R159	1-249-409-11	CARBON	220 5% 1/4W	R604	1-247-879-11	CARBON	100K 5% 1/4W
R160	1-249-417-11	CARBON	1K 5% 1/4W	R605	1-249-439-11	CARBON	68K 5% 1/4W
R161	1-249-417-11	CARBON	1K 5% 1/4W	R606	1-249-431-11	CARBON	15K 5% 1/4W
R162	1-249-417-11	CARBON	1K 5% 1/4W	R607	1-247-756-11	CARBON	2.2K 5% 1/2W
R163	1-249-417-11	CARBON	1K 5% 1/4W	R608	1-247-756-11	CARBON	2.2K 5% 1/2W
R164	1-249-417-11	CARBON	1K 5% 1/4W	R832	1-249-393-11	CARBON	10 5% 1/4W (FE530R)
R165	1-249-417-11	CARBON	1K 5% 1/4W	R902	1-247-750-11	CARBON	680 5% 1/2W (FE230/FE330R)
R166	1-249-417-11	CARBON	1K 5% 1/4W	R902	1-247-751-11	CARBON	820 5% 1/2W (FE530R)
R167	1-249-417-11	CARBON	1K 5% 1/4W	R903	1-247-750-11	CARBON	680 5% 1/2W (FE230/FE330R)
R168	1-249-427-11	CARBON	6.8K 5% 1/4W	R903	1-247-751-11	CARBON	820 5% 1/2W (FE530R)
R176	1-247-879-11	CARBON	100K 5% 1/4W	R904	1-247-750-11	CARBON	680 5% 1/2W (FE230/FE330R)
R207	1-247-847-11	CARBON	4.7K 5% 1/4W				
R257	1-247-847-11	CARBON	4.7K 5% 1/4W				
R301	1-249-439-11	CARBON	68K 5% 1/4W				
R302	1-249-417-11	CARBON	1K 5% 1/4W				
R303	1-247-825-11	CARBON	560 5% 1/4W				
R304	1-249-439-11	CARBON	68K 5% 1/4W				
R305	1-247-719-11	CARBON	3.3K 5% 1/4W (FE230)				
R305	1-247-721-11	CARBON	4.7K 5% 1/4W (FE330R/FE530R)				
R306	1-247-760-11	CARBON	4.7K 5% 1/2W (FE330R/FE530R)				

The components identified by mark △ or dotted line with mark △ are critical for safety. Replace only with part number specified.

MAIN

POWER SW

TAPE MONITOR

Ref. No.	Part No.	Description	Remark
R904	1-247-751-11	CARBON	820 5% 1/2W (FE530R)
R905	1-247-750-11	CARBON	680 5% 1/2W (FE230/FE330R)
R905	1-247-751-11	CARBON	820 5% 1/2W (FE530R)
R907	1-247-752-11	CARBON	1K 5% 1/2W (FE230/FE330R)
R907	1-247-753-11	CARBON	1.2K 5% 1/2W (FE530R)
R908	1-247-752-11	CARBON	1K 5% 1/2W (FE230/FE330R)
R908	1-247-753-11	CARBON	1.2K 5% 1/2W (FE530R)
R910	1-247-725-11	CARBON	10K 5% 1/4W
R912	1-247-725-11	CARBON	10K 5% 1/4W
R916	1-247-835-11	CARBON	1.5K 5% 1/4W (FE330R/FE530R)
		< RELAY >	
RY101	1-515-614-11	RELAY (FE530R)	
RY601	1-515-920-11	RELAY (24V)	
		< TERMINAL >	
TM301	1-537-894-11	TERMINAL BOARD (SP) (SPEAKERS) (FE330R/FE530R)	
TM301	1-694-593-11	TERMINAL BOARD (SP) (SPEAKERS) (FE230)	
* TM302	1-537-738-21	TERMINAL, EARTH	

*	1-673-099-11	POWER SW BOARD (FE330R/FE530R)	*****
*	4-211-967-01	HOLDER (LED)	
		< CONNECTOR >	
CN807	1-770-397-11	HOUSING, CONNECTOR(PC BOARD)4P	
		< LED >	
D821	8-719-301-49	LED SEL2810A (EON LINK) (FE530R)	
D822	8-719-302-45	LED SEL1210S (STANDBY)	
		< IC >	
IC803	8-749-014-66	IC NJL56H400A (B)	
		< TRANSISTOR >	
Q809	8-729-029-66	TRANSISTOR DTC114ESA (FE530R)	
Q812	8-729-620-05	TRANSISTOR 2SC2603-EF (FE530R)	
Q813	8-729-620-05	TRANSISTOR 2SC2603-EF (FE530R)	
		< RESISTOR >	
R831	1-249-399-11	CARBON	33 5% 1/4W (FE530R)
R833	1-247-839-11	CARBON	2.2K 5% 1/4W
R835	1-247-855-11	CARBON	10K 5% 1/4W (FE530R)
R836	1-247-847-11	CARBON	4.7K 5% 1/4W (FE530R)
R838	1-249-407-11	CARBON	150 5% 1/4W (FE530R)

Ref. No.	Part No.	Description	Remark
		< SWITCH >	
S1	1-571-112-21	SWITCH, PUSH (1 KEY) (I/Ⓞ)	
S803	1-571-112-21	SWITCH, PUSH (1 KEY) (EON LINK) (FE530R)	

*	1-673-102-11	TAPE MONITOR BOARD (FE530R)	*****
		< LED >	
D823	8-719-301-49	LED SEL2810A (TAPE1 MONITOR)	
		< SWITCH >	
S802	1-554-303-21	SWITCH, TACTILE (TAPE1 MONITOR)	

		MISCELLANEOUS	*****
△ 111	1-770-019-11	ADAPTOR, CONVERSION PLUG 3P (UK)	
△ CP1	1-575-651-21	CORD, POWER	
△ T1	1-433-621-11	TRANSFORMER, POWER (FE230)	
△ T1	1-431-802-11	TRANSFORMER, POWER (FE530R)	
△ T1	1-431-803-11	TRANSFORMER, POWER (FE330R)	

		HARDWARE LIST	*****
#1	7-685-646-79	SCREW +BVTP 3X8 TYPE2 N-S	
#2	7-685-880-09	SCREW +BVTT 4X6 (S)	
#3	7-685-647-79	SCREW +BVTP 3X10 TYPE2 N-S	
#4	7-685-648-79	SCREW +BVTP 3X12 TYPE2 N-S	
#5	7-685-650-79	SCREW +BVTP 3X16 TYPE2 N-S	

		ACCESSORIES & PACKING MATERIALS	*****
	1-473-655-31	REMOTE COMMANDER (RM-S325) (FE330R/FE530R)	
	3-862-730-11	MANUAL, INSTRUCTION (ENGLISH) (FE330R: UK/FE530R: UK)	
	3-866-240-11	MANUAL, INSTRUCTION (ENGLISH, FRENCH, SPANISH, PORTUGUESE) (FE230/FE330R: AEP/FE530R: AEP)	
	3-866-240-21	MANUAL, INSTRUCTION (GERMAN, DUTCH, SWEDISH, ITALIAN) (FE230/FE330R: AEP/FE530R: AEP)	
	3-866-240-41	MANUAL, INSTRUCTION (ENGLISH, POLISH, RUSSIAN) (FE330R: EE/FE530R: EE)	
	4-981-643-01	COVER, BATTERY (for RM-S325) (FE330R/FE530R)	

The components identified by mark △ or dotted line with mark △ are critical for safety. Replace only with part number specified.

