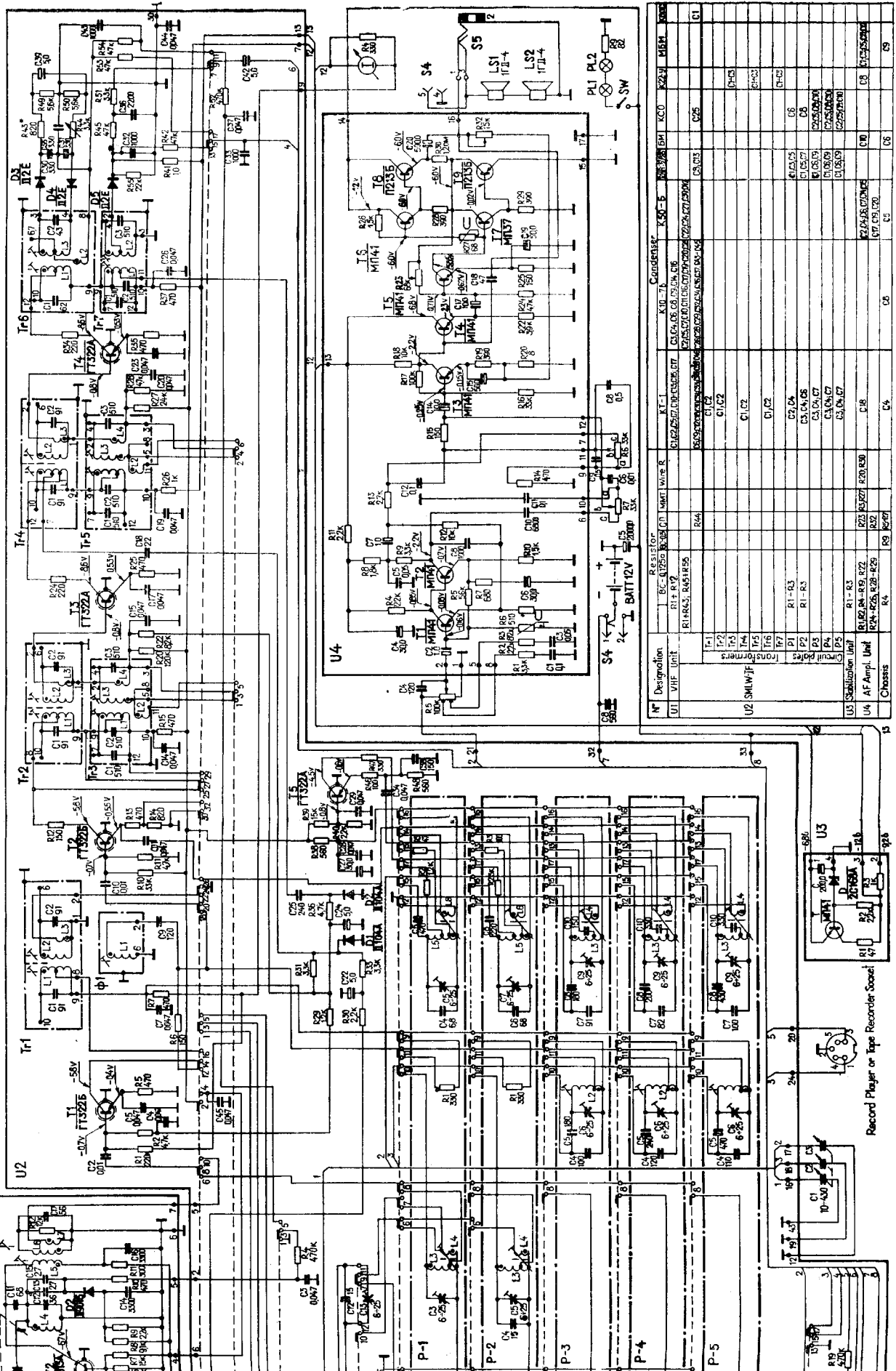


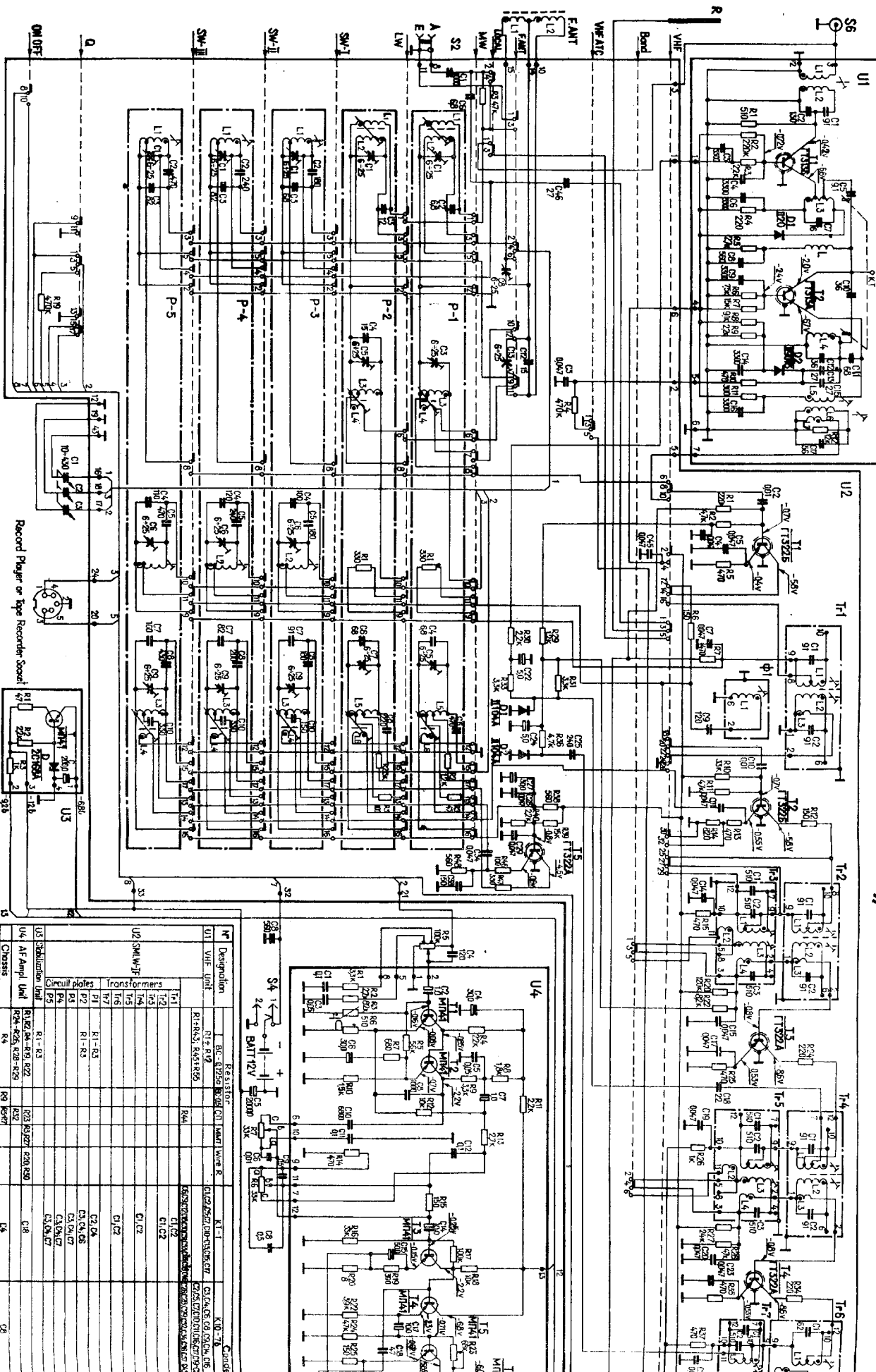
RADIO RECEIVER "RIGA-103"



3. Resistor values marked by *M* are expressed in megs. by *K* - in Kohms, and without letter - in ohms.
4. Capacitor values marked by whole numbers in pF, and by decimal - in μ F.
5. Operating conditions in U1; U2 are measured by d.c. valve voltmeter and those in U3; U4 by universal tester. Operating conditions of all transistors measured relative to chassis.

* may differ from those

RADIO RECEIVER „RIGA-103“



1. Range Switch in position MW
2. Resistors and Capacitors marked by * may differ from those shown in circuit.
3. Resistor values marked by *M* are expressed in megs, by *K* in Kilohms, and without letter - in ohms.
4. Capacitor values marked by whole numbers in pF, and by decimal - in μF .
5. Operating conditions in U1; U2 are measured by d.c. voltmeter and those in U3; U4 by universal tester. Operating conditions of all transformers measured relative to chassis.