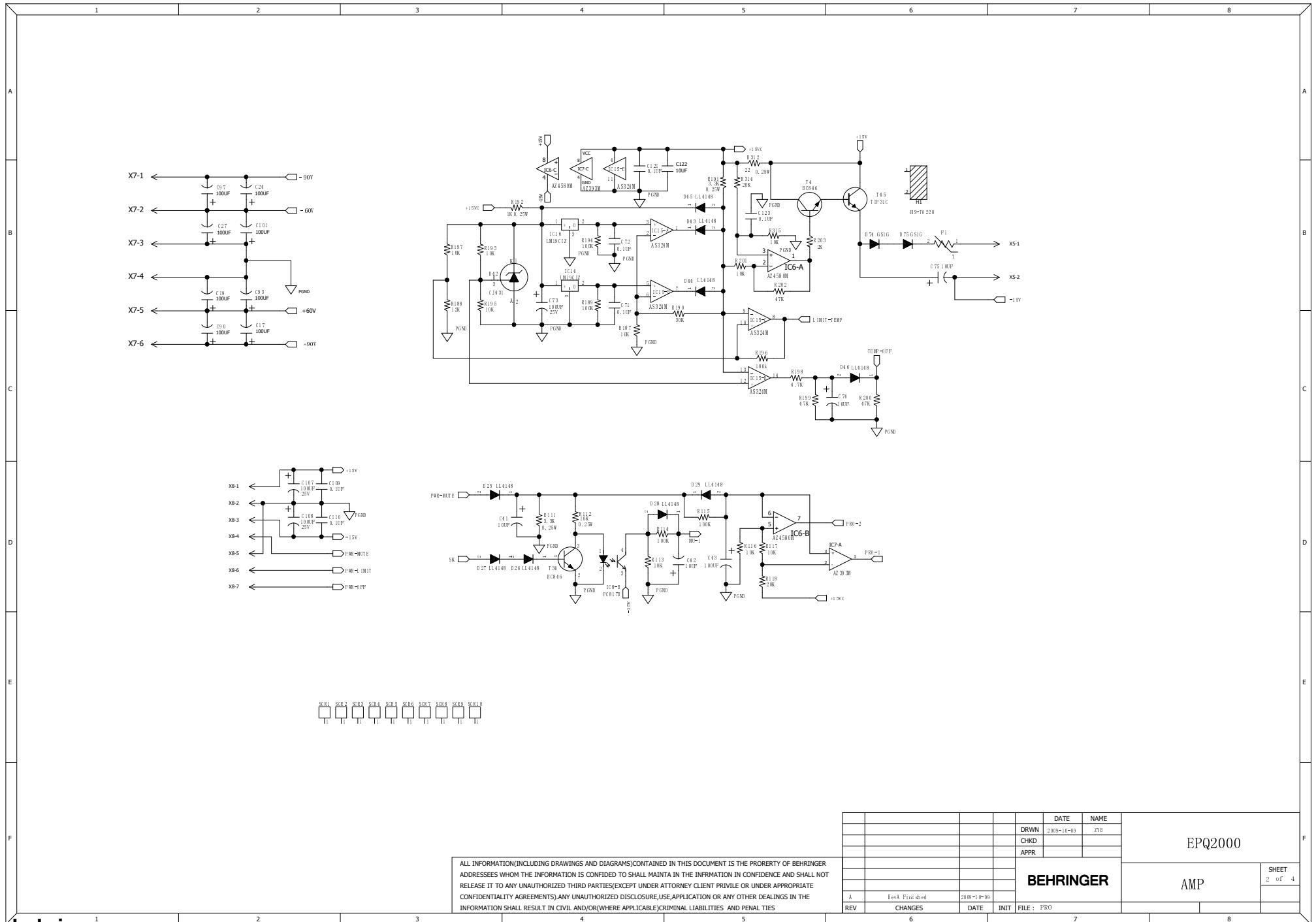


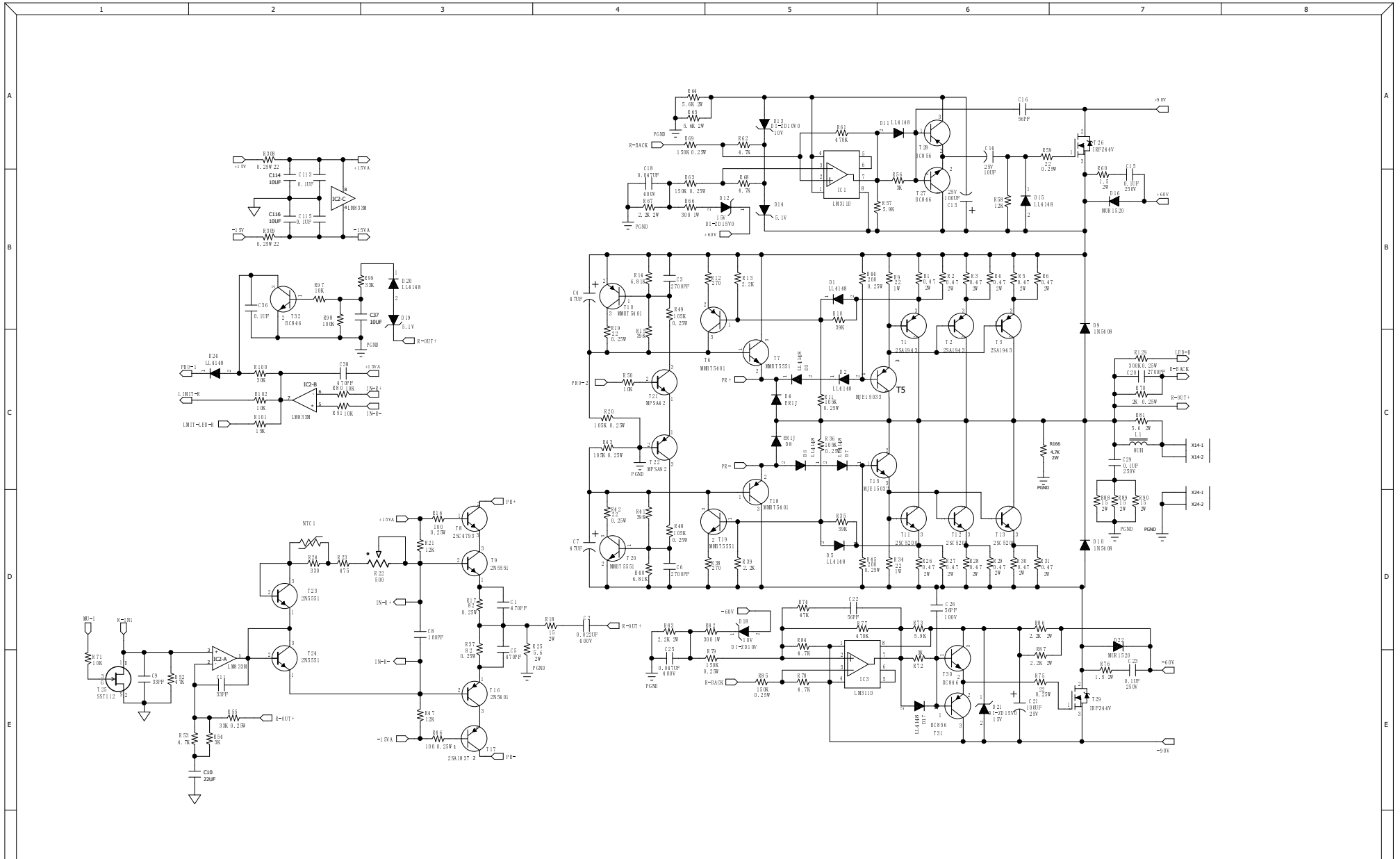
ALL INFORMATION (INCLUDING DRAWINGS AND DIAGRAMS) CONTAINED IN THIS DOCUMENT IS THE PROPERTY OF BEHRINGER ADDRESSES WHOM THE INFORMATION IS CONFIDED TO SHALL MAINTAIN THE INFORMATION IN CONFIDENCE AND SHALL NOT RELEASE IT TO ANY UNAUTHORIZED THIRD PARTIES (EXCEPT UNDER ATTORNEY CLIENT PRIVILEGE OR UNDER APPROPRIATE CONFIDENTIALITY AGREEMENTS). ANY UNAUTHORIZED DISCLOSURE, USE, APPLICATION OR ANY OTHER DEALINGS IN THE INFORMATION SHALL RESULT IN CIVIL AND/OR (WHERE APPLICABLE) CRIMINAL LIABILITIES AND PENAL TIES

DATE	NAME	EPQ2000	SHEET 1 of 4	
DRWN 2009-10-09	ZTB			
CHKD				
APPR		AMP		
BEHRINGER				
REV	CHANGES	DATE	INIT	FILE: PRE



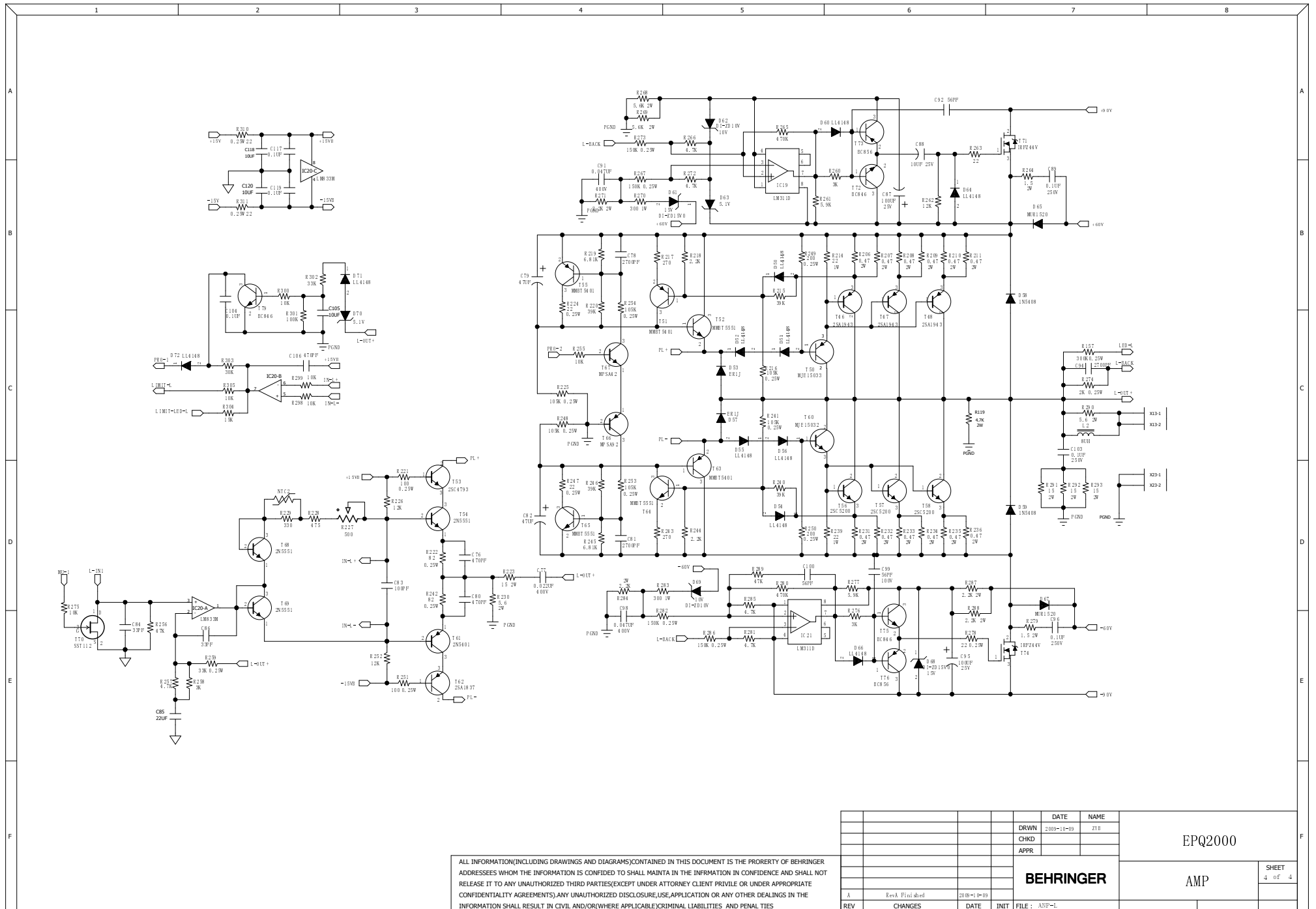
ALL INFORMATION (INCLUDING DRAWINGS AND DIAGRAMS) CONTAINED IN THIS DOCUMENT IS THE PROPERTY OF BEHRINGER ADDRESSES WHOM THE INFORMATION IS CONFIDED TO SHALL MAINTAIN THE INFORMATION IN CONFIDENCE AND SHALL NOT RELEASE IT TO ANY UNAUTHORIZED THIRD PARTIES (EXCEPT UNDER ATTORNEY CLIENT PRIVILEGE OR UNDER APPROPRIATE CONFIDENTIALITY AGREEMENTS). ANY UNAUTHORIZED DISCLOSURE, USE, APPLICATION OR ANY OTHER DEALINGS IN THE INFORMATION SHALL RESULT IN CIVIL AND/OR (WHERE APPLICABLE) CRIMINAL LIABILITIES AND PENAL TIES

DRWN	2009-10-09	ZIB	EPQ2000	SHEET 2 of 4
CHKD				
APPR				
BEHRINGER			AMP	
REV	CHANGES	DATE	INIT	FILE: PRO



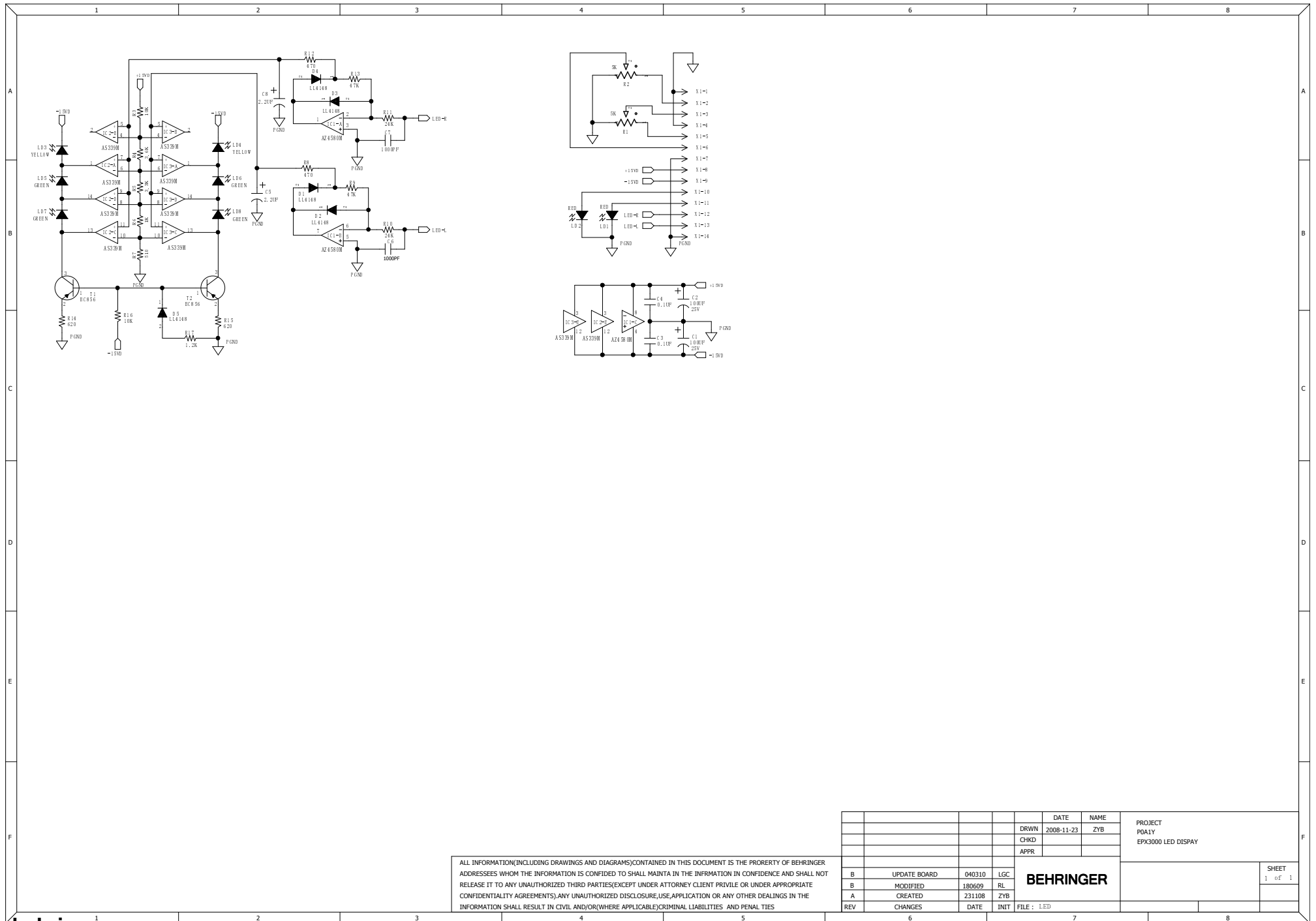
ALL INFORMATION (INCLUDING DRAWINGS AND DIAGRAMS) CONTAINED IN THIS DOCUMENT IS THE PROPERTY OF BEHRINGER ADDRESSES WHOM THE INFORMATION IS CONFIDED TO SHALL MAINTAIN THE INFORMATION IN CONFIDENCE AND SHALL NOT RELEASE IT TO ANY UNAUTHORIZED THIRD PARTIES (EXCEPT UNDER ATTORNEY CLIENT PRIVILEGE OR UNDER APPROPRIATE CONFIDENTIALITY AGREEMENTS). ANY UNAUTHORIZED DISCLOSURE, USE, APPLICATION OR ANY OTHER DEALINGS IN THE INFORMATION SHALL RESULT IN CIVIL AND/OR (WHERE APPLICABLE) CRIMINAL LIABILITIES AND PENAL TIES

		DATE		NAME	
DRWN	2009-10-09			ZFB	
CHKD					
APPR					
BEHRINGER				AMP	
				SHEET 3 of 4	
REV	CHANGES	DATE	INIT	FILE	AMP-R



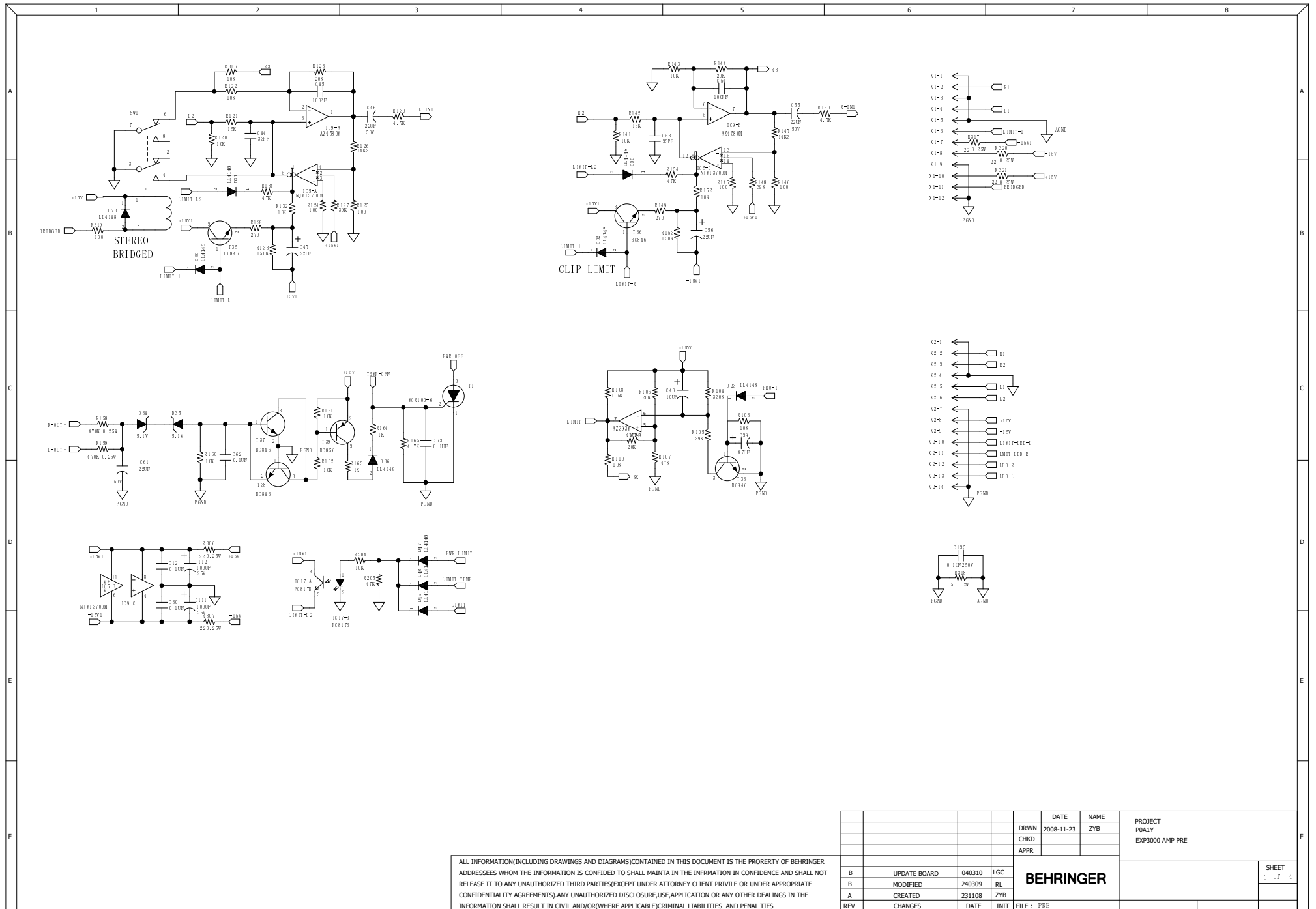
ALL INFORMATION (INCLUDING DRAWINGS AND DIAGRAMS) CONTAINED IN THIS DOCUMENT IS THE PROPERTY OF BEHRINGER ADDRESSES WHOM THE INFORMATION IS CONFIDED TO SHALL MAINTAIN THE INFORMATION IN CONFIDENCE AND SHALL NOT RELEASE IT TO ANY UNAUTHORIZED THIRD PARTIES (EXCEPT UNDER ATTORNEY CLIENT PRIVILEGE OR UNDER APPROPRIATE CONFIDENTIALITY AGREEMENTS). ANY UNAUTHORIZED DISCLOSURE, USE, APPLICATION OR ANY OTHER DEALINGS IN THE INFORMATION SHALL RESULT IN CIVIL AND/OR (WHERE APPLICABLE) CRIMINAL LIABILITIES AND PENAL TIES

DRWN	2009-10-09	ZFB	EPQ2000	AMP	SHEET 4 of 4
CHKD					
APPR					
BEHRINGER					
REV	CHANGES	DATE	INIT	FILE: ANP-L	



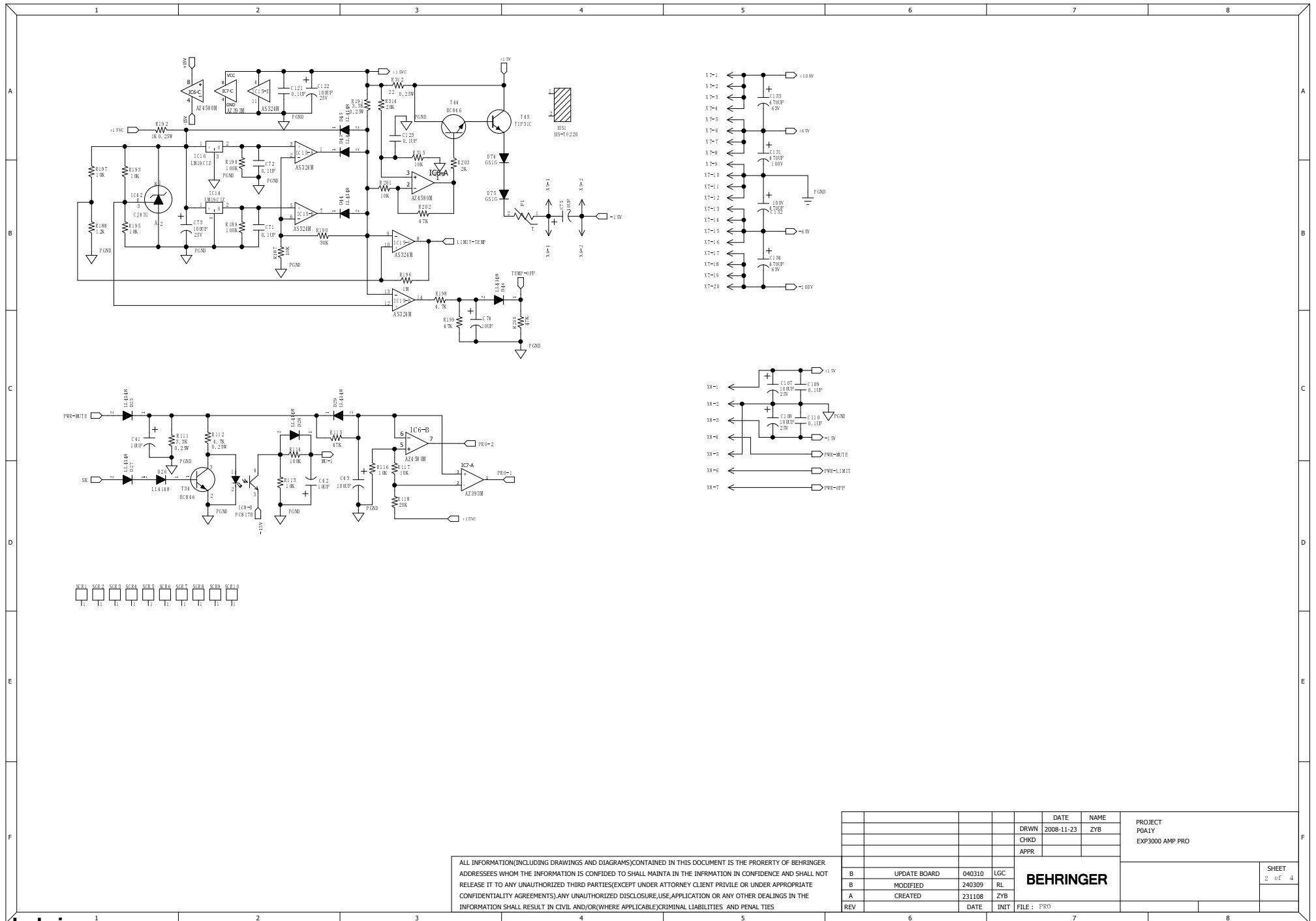
ALL INFORMATION (INCLUDING DRAWINGS AND DIAGRAMS) CONTAINED IN THIS DOCUMENT IS THE PROPERTY OF BEHRINGER ADDRESSEES WHOM THE INFORMATION IS CONFIDED TO SHALL MAINTAIN THE INFORMATION IN CONFIDENCE AND SHALL NOT RELEASE IT TO ANY UNAUTHORIZED THIRD PARTIES (EXCEPT UNDER ATTORNEY CLIENT PRIVILEGE OR UNDER APPROPRIATE CONFIDENTIALITY AGREEMENTS). ANY UNAUTHORIZED DISCLOSURE, USE, APPLICATION OR ANY OTHER DEALINGS IN THE INFORMATION SHALL RESULT IN CIVIL AND/OR (WHERE APPLICABLE) CRIMINAL LIABILITIES AND PENAL TIES

				DATE	NAME	PROJECT	
			DRWN	2008-11-23	ZYB	POA1Y	
			CHKD			EPK3000 LED DISPLAY	
			APPR				
B	UPDATE BOARD	040310	LGC	BEHRINGER			SHEET
B	MODIFIED	180609	RL				1 of 1
A	CREATED	231108	ZYB				
REV	CHANGES	DATE	INIT				FILE : LED



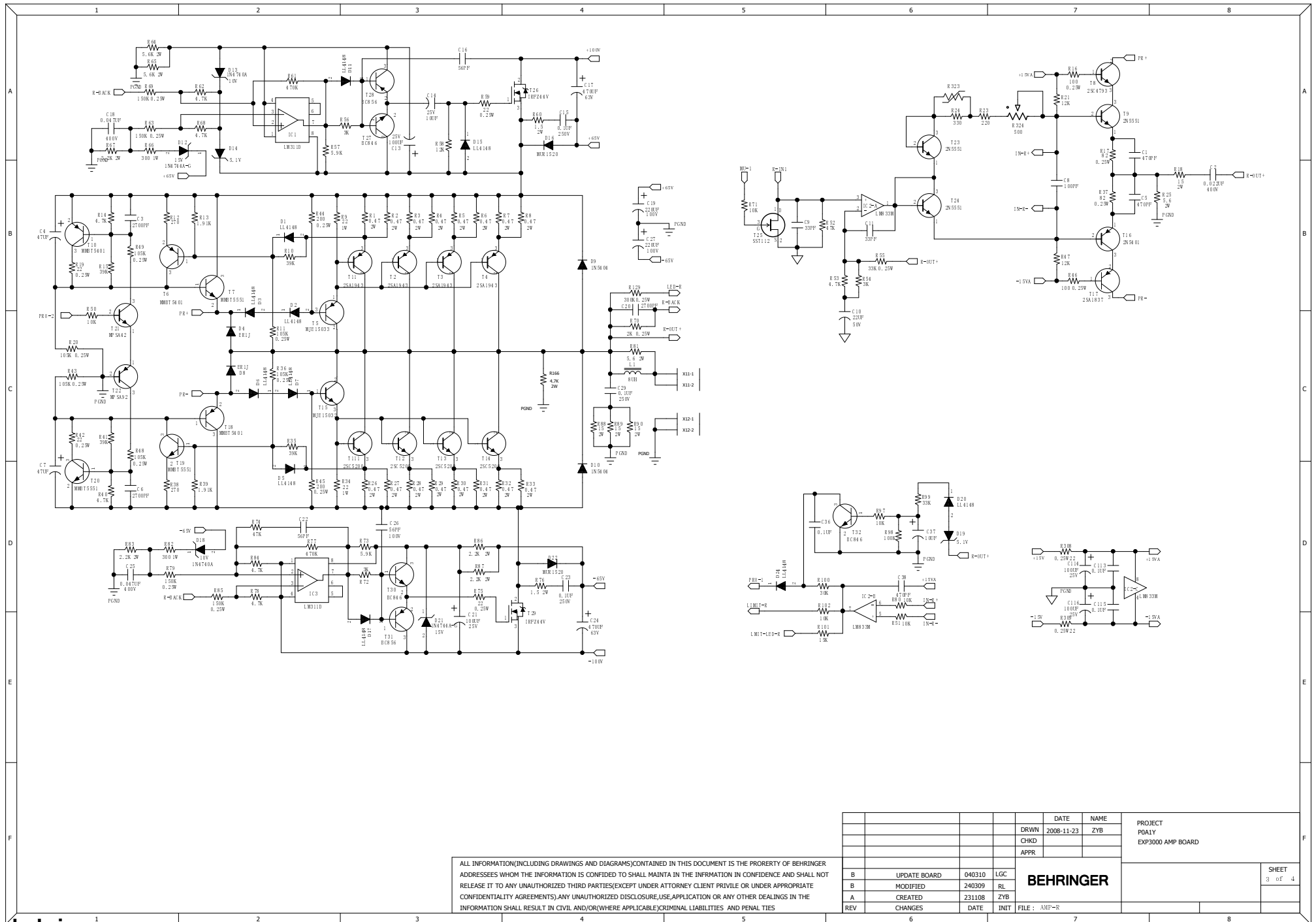
ALL INFORMATION (INCLUDING DRAWINGS AND DIAGRAMS) CONTAINED IN THIS DOCUMENT IS THE PROPERTY OF BEHRINGER. ADDRESSES WHOM THE INFORMATION IS CONFIDED TO SHALL MAINTAIN THE INFORMATION IN CONFIDENCE AND SHALL NOT RELEASE IT TO ANY UNAUTHORIZED THIRD PARTIES (EXCEPT UNDER ATTORNEY CLIENT PRIVILEGE OR UNDER APPROPRIATE CONFIDENTIALITY AGREEMENTS). ANY UNAUTHORIZED DISCLOSURE, USE, APPLICATION OR ANY OTHER DEALINGS IN THE INFORMATION SHALL RESULT IN CIVIL AND/OR (WHERE APPLICABLE) CRIMINAL LIABILITIES AND PENAL TIES.

				DATE	NAME	PROJECT POLY EXP3000 AMP PRE	SHEET 1 of 4
			DRWN	2008-11-23	ZYB		
			CHKD				
			APPR				
B	UPDATE BOARD	040310	LGC	BEHRINGER			
B	MODIFIED	240309	RL				
A	CREATED	231108	ZYB				
REV	CHANGES	DATE	INIT	FILE: PRE			



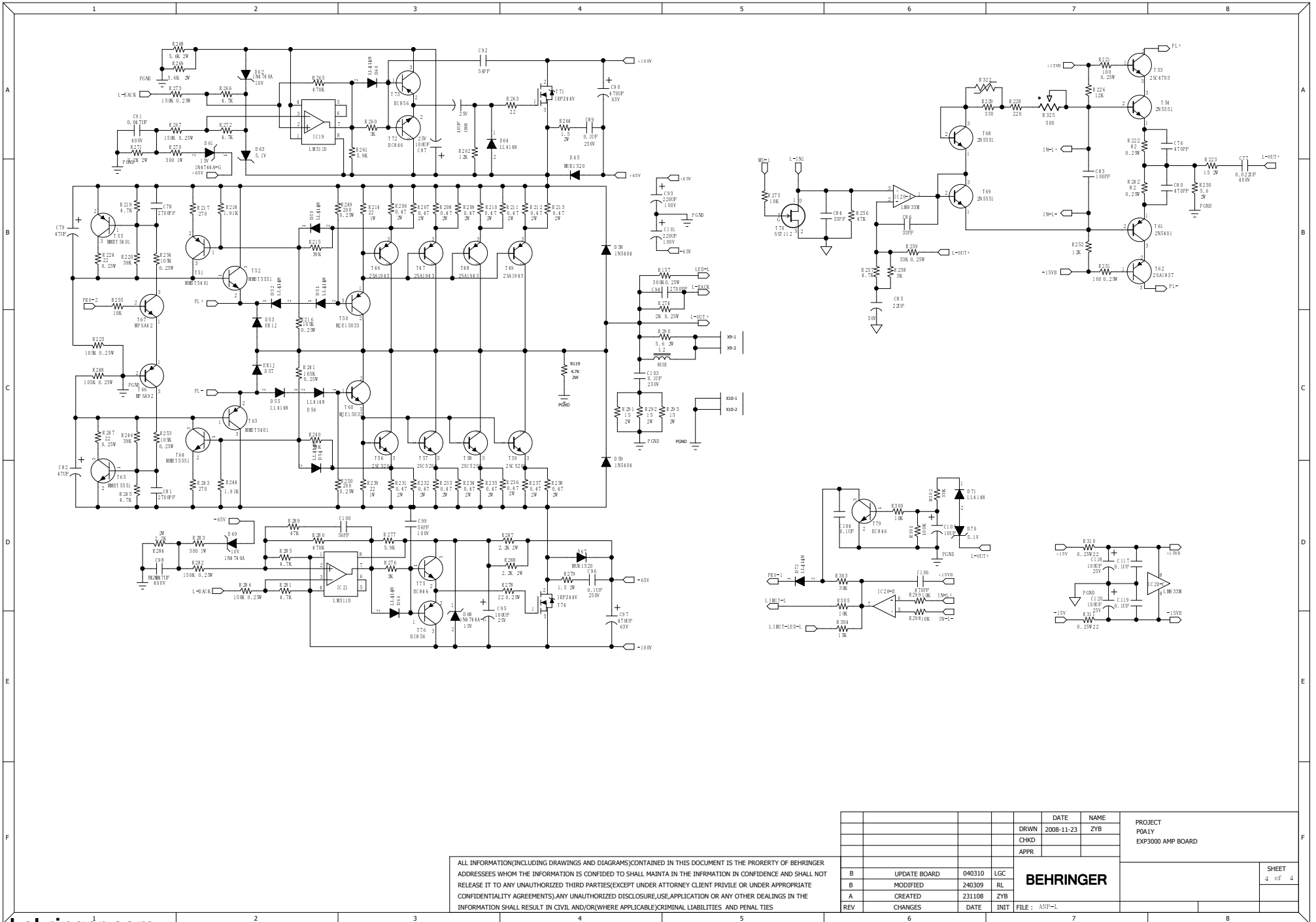
ALL INFORMATION (INCLUDING DRAWINGS AND DIAGRAMS) CONTAINED IN THIS DOCUMENT IS THE PROPERTY OF BEHRINGER ADDRESSEES WHOM THE INFORMATION IS CONFIDED TO SHALL MAINTAIN THE INFORMATION IN CONFIDENCE AND SHALL NOT RELEASE IT TO ANY UNAUTHORIZED THIRD PARTIES, EXCEPT UNDER ATTORNEY CLIENT PRIVILEGE OR UNDER APPROPRIATE CONFIDENTIALITY AGREEMENTS. ANY UNAUTHORIZED DISCLOSURE, USE, APPLICATION OR ANY OTHER DEALINGS IN THE INFORMATION SHALL RESULT IN CIVIL AND/OR (WHERE APPLICABLE) CRIMINAL LIABILITIES AND PENAL TIES

				DATE	NAME	PROJECT POLALY EXP3000 AMP PRO	SHEET 2 of 4
			DRWN	2008-11-23	ZYB		
			CHKD				
			APPR				
B	UPDATE BOARD	040310	LGC	BEHRINGER			
B	MODIFIED	240309	RL				
A	CREATED	231108	ZYB				
REV		DATE	INIT	FILE : PRO			



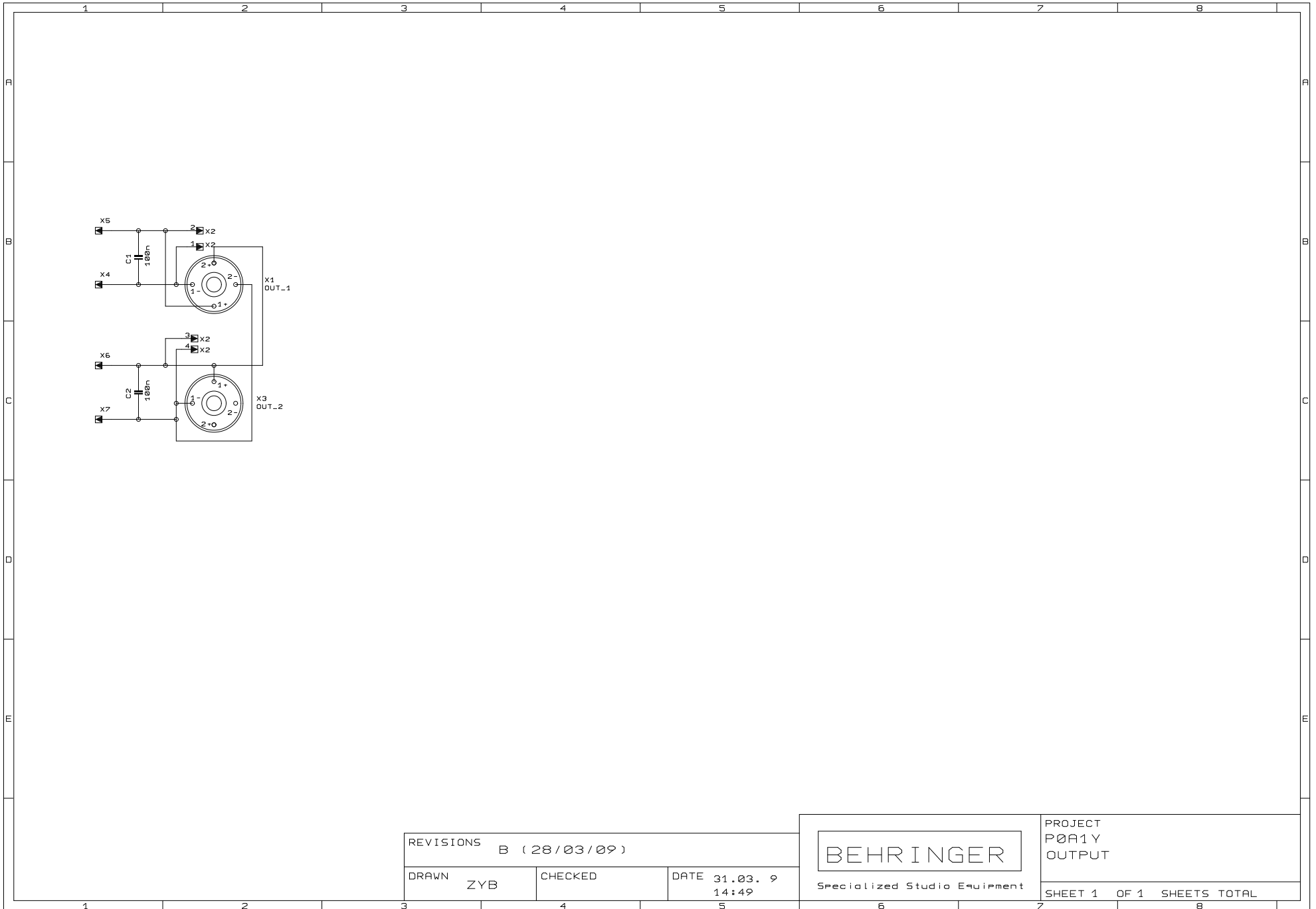
ALL INFORMATION (INCLUDING DRAWINGS AND DIAGRAMS) CONTAINED IN THIS DOCUMENT IS THE PROPERTY OF BEHRINGER ADDRESSEES WHOM THE INFORMATION IS CONFIDED TO SHALL MAINTAIN IN CONFIDENCE AND SHALL NOT RELEASE IT TO ANY UNAUTHORIZED THIRD PARTIES (EXCEPT UNDER ATTORNEY CLIENT PRIVILEGE OR UNDER APPROPRIATE CONFIDENTIALITY AGREEMENTS). ANY UNAUTHORIZED DISCLOSURE, USE, APPLICATION OR ANY OTHER DEALINGS IN THE INFORMATION SHALL RESULT IN CIVIL AND/OR (WHERE APPLICABLE) CRIMINAL LIABILITIES AND PENAL TIES

				DATE	NAME	PROJECT	
				2008-11-23	ZYB	POALY	
						EXP3000 AMP BOARD	
B	UPDATE BOARD	040310	LGC	BEHRINGER			SHEET 3 of 4
B	MODIFIED	240309	RL				
A	CREATED	231108	ZYB				
REV	CHANGES	DATE	INIT	FILE: AMP-R			



ALL INFORMATION (INCLUDING DRAWINGS AND DIAGRAMS) CONTAINED IN THIS DOCUMENT IS THE PROPERTY OF BEHRINGER ADDRESSES WHOM THE INFORMATION IS CONFIDED TO SHALL MAINTAIN THE INFORMATION IN CONFIDENCE AND SHALL NOT RELEASE IT TO ANY UNAUTHORIZED THIRD PARTIES (EXCEPT UNDER ATTORNEY CLIENT PRIVILEGE OR UNDER APPROPRIATE CONFIDENTIALITY AGREEMENTS). ANY UNAUTHORIZED DISCLOSURE, USE, APPLICATION OR ANY OTHER DEALINGS IN THE INFORMATION SHALL RESULT IN CIVIL AND/OR (WHERE APPLICABLE) CRIMINAL LIABILITIES AND PENAL TIES

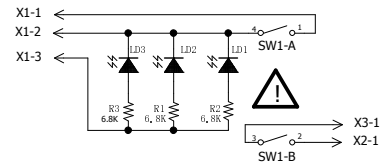
				DATE	NAME	PROJECT POLY EXP3000 AMP BOARD	SHEET 4 of 4
			DRWN	2008-11-23	ZYB		
			CHKD				
			APPR				
B	UPDATE BOARD	040310	LGC	BEHRINGER			
B	MODIFIED	240309	RL				
A	CREATED	231108	ZYB				
REV	CHANGES	DATE	INIT	FILE : ANP-L			



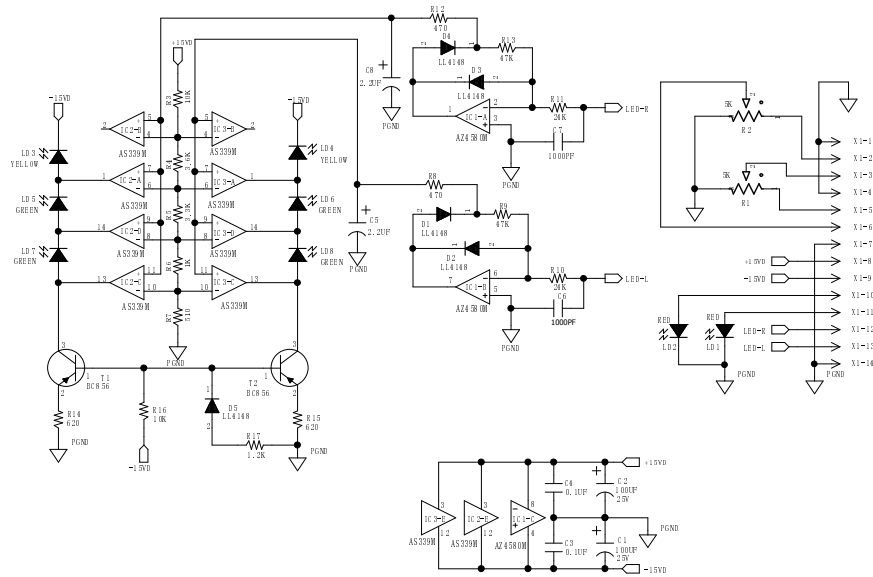
REVISIONS B (28/03/09)		
DRAWN ZYB	CHECKED	DATE 31.03. 9 14:49

BEHRINGER
Specialized Studio Equipment

PROJECT P0A1Y OUTPUT
SHEET 1 OF 1 SHEETS TOTAL

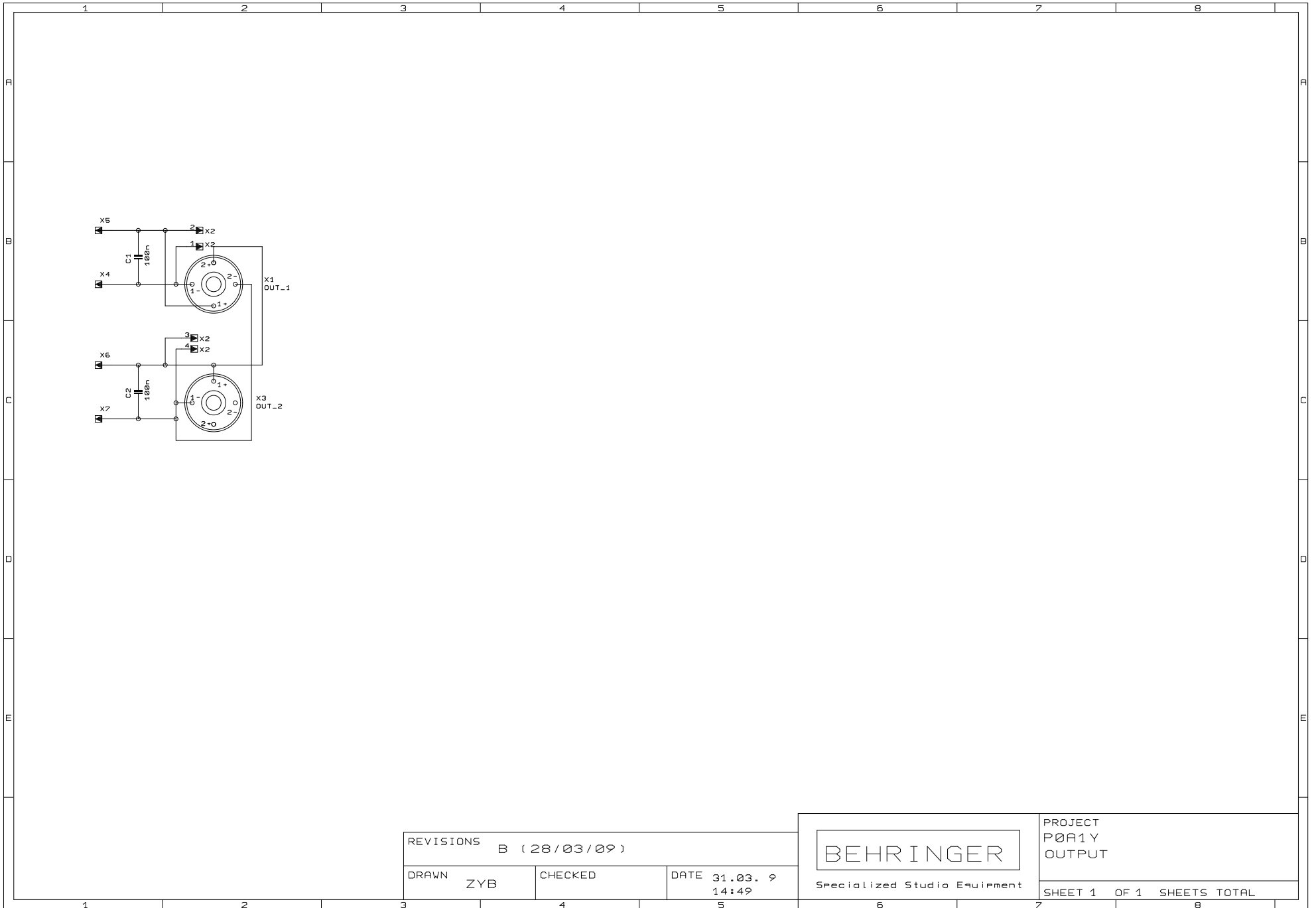


APPROVALS		DATA		SUPER WORD TECHNOLOGIES INC				
DRAWN:		2009-03-27						
CHECKED				EPX3000 SWITCH BOARD REVB				
NP ENG:				SIZE D		SCALE:	DWG. NO.	REV: B
ISSUED:				DWG FILE:		SHEET	1 OF 1	



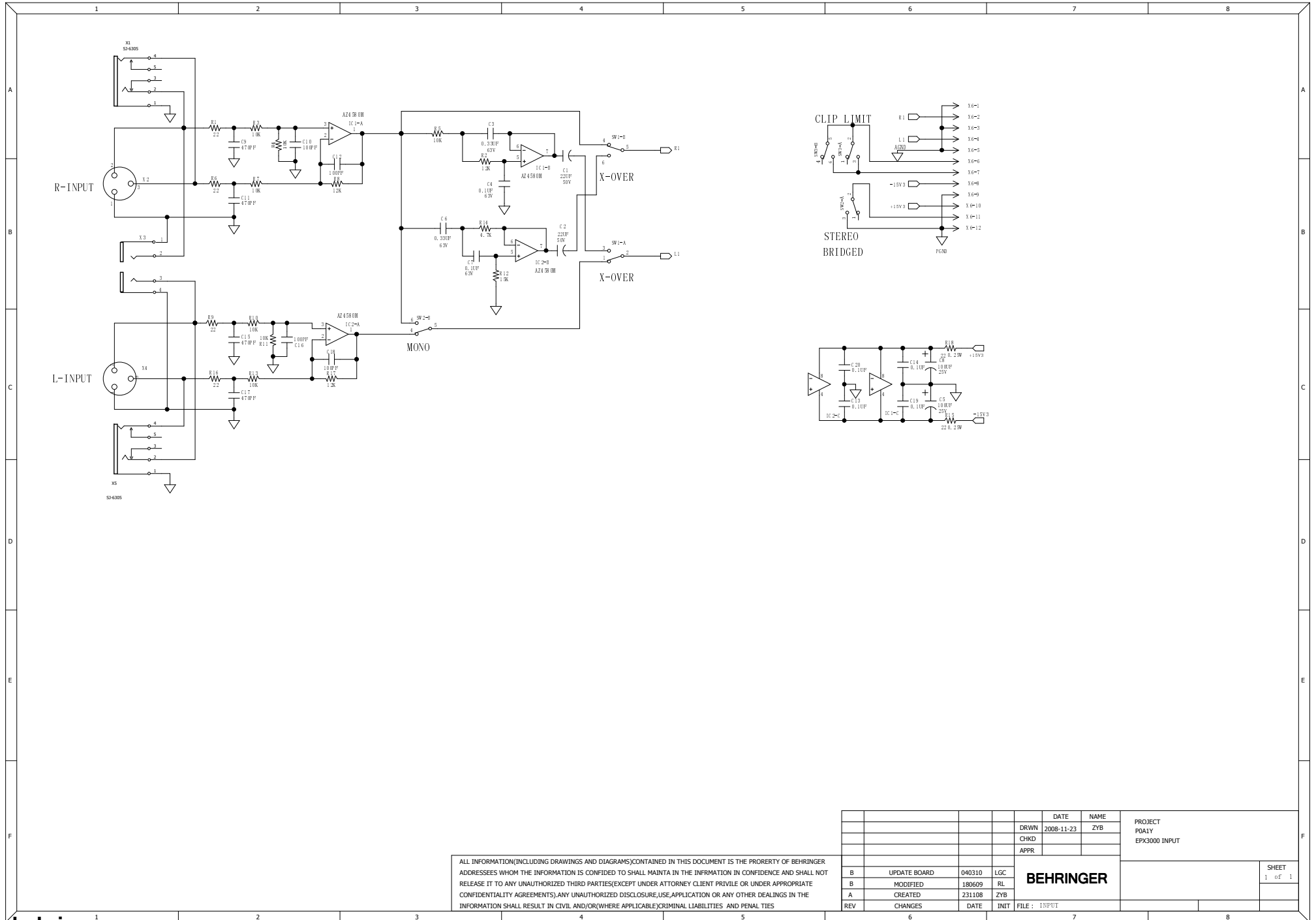
ALL INFORMATION (INCLUDING DRAWINGS AND DIAGRAMS) CONTAINED IN THIS DOCUMENT IS THE PROPERTY OF BEHRINGER ADDRESSEES WHOM THE INFORMATION IS CONFIDED TO SHALL MAINTAIN THE INFORMATION IN CONFIDENCE AND SHALL NOT RELEASE IT TO ANY UNAUTHORIZED THIRD PARTIES (EXCEPT UNDER ATTORNEY CLIENT PRIVILEGE OR UNDER APPROPRIATE CONFIDENTIALITY AGREEMENTS). ANY UNAUTHORIZED DISCLOSURE, USE, APPLICATION OR ANY OTHER DEALINGS IN THE INFORMATION SHALL RESULT IN CIVIL AND/OR (WHERE APPLICABLE) CRIMINAL LIABILITIES AND PENAL TIES

				DATE	NAME	EPQ2000	SHEET 1 of 1
			DRWN	2009-10-09	ZYD		
			CHKD				
			APPR			BEHRINGER	DISPLAY
A	Rev A Finished	2009-10-09					
REV	CHANGES	DATE	INIT	FILE	LED		



REVISIONS B (28/03/09)		
DRAWN ZYB	CHECKED	DATE 31.03. 9 14:49

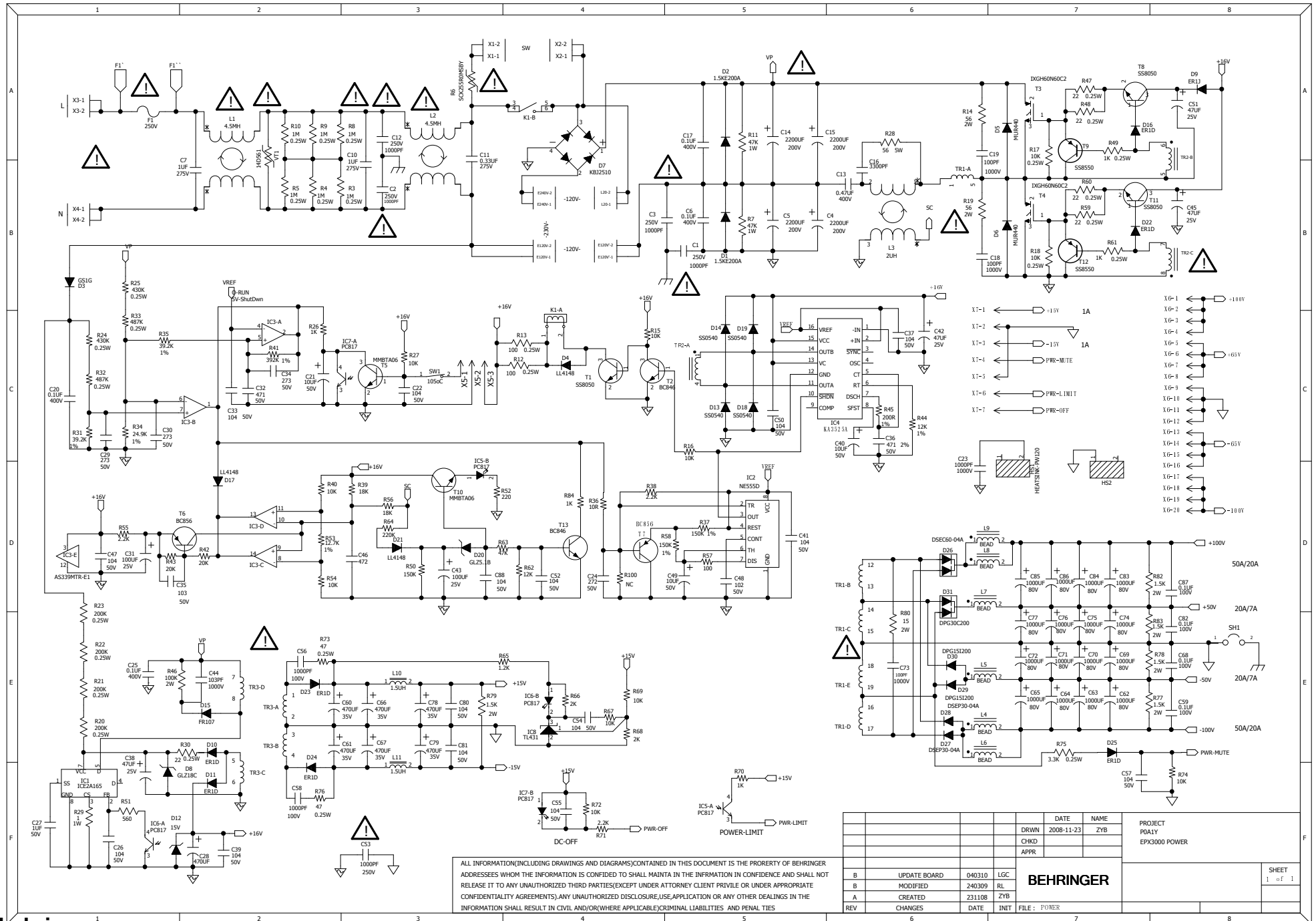
<div style="border: 1px solid black; padding: 5px; display: inline-block;">BEHRINGER</div> Specialized Studio Equipment	PROJECT P0A1Y OUTPUT
	SHEET 1 OF 1 SHEETS TOTAL



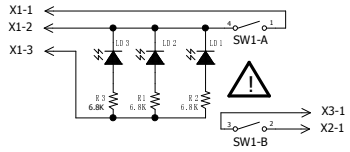
ALL INFORMATION (INCLUDING DRAWINGS AND DIAGRAMS) CONTAINED IN THIS DOCUMENT IS THE PROPERTY OF BEHRINGER ADDRESSEES WHOM THE INFORMATION IS CONFIDED TO SHALL MAINTAIN THE INFORMATION IN CONFIDENCE AND SHALL NOT RELEASE IT TO ANY UNAUTHORIZED THIRD PARTIES (EXCEPT UNDER ATTORNEY CLIENT PRIVILEGE OR UNDER APPROPRIATE CONFIDENTIALITY AGREEMENTS). ANY UNAUTHORIZED DISCLOSURE, USE, APPLICATION OR ANY OTHER DEALINGS IN THE INFORMATION SHALL RESULT IN CIVIL AND/OR (WHERE APPLICABLE) CRIMINAL LIABILITIES AND PENAL TIES

DRWN	2008-11-23	NAME	ZYB	PROJECT POLY EPX3000 INPUT
CHKD				
APPR				
B	UPDATE BOARD	040310	LGC	SHEET 1 of 1
B	MODIFIED	180609	RL	
A	CREATED	231108	ZYB	
REV	CHANGES	DATE	INIT	
FILE: INPUT				

EPX3000 POWER.sch-1 - Fri Mar 05 14:19:43 2010



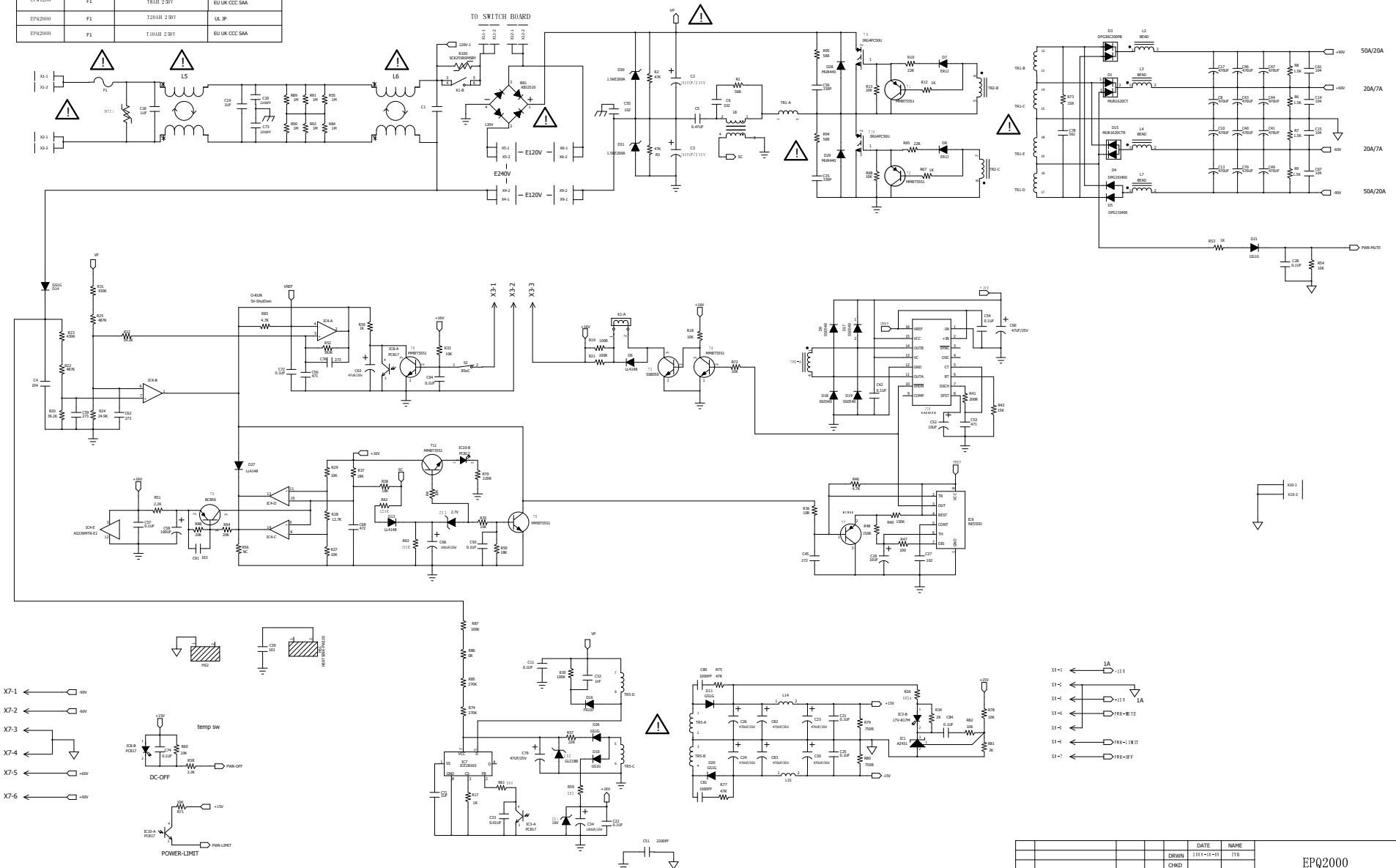
ALL INFORMATION (INCLUDING DRAWINGS AND DIAGRAMS) CONTAINED IN THIS DOCUMENT IS THE PROPERTY OF BEHRINGER ADDRESSES WHOM THE INFORMATION IS CONFIDED TO SHALL MAINTAIN THE INFORMATION IN CONFIDENCE AND SHALL NOT RELEASE IT TO ANY UNAUTHORIZED THIRD PARTIES (EXCEPT UNDER ATTORNEY CLIENT PRIVILEGE OR UNDER APPROPRIATE CONFIDENTIALITY AGREEMENTS). ANY UNAUTHORIZED DISCLOSURE, USE, APPLICATION OR ANY OTHER DEALINGS IN THE INFORMATION SHALL RESULT IN CIVIL AND/OR (WHERE APPLICABLE) CRIMINAL LIABILITIES AND PENAL TIES



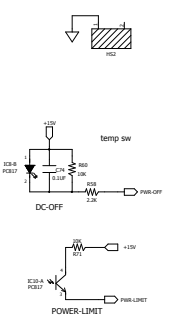
ALL INFORMATION (INCLUDING DRAWINGS AND DIAGRAMS) CONTAINED IN THIS DOCUMENT IS THE PROPERTY OF BEHRINGER ADDRESSEES WHOM THE INFORMATION IS CONFIDED TO SHALL MAINTAIN THE INFORMATION IN CONFIDENCE AND SHALL NOT RELEASE IT TO ANY UNAUTHORIZED THIRD PARTIES (EXCEPT UNDER ATTORNEY CLIENT PRIVILEGE OR UNDER APPROPRIATE CONFIDENTIALITY AGREEMENTS). ANY UNAUTHORIZED DISCLOSURE, USE, APPLICATION OR ANY OTHER DEALINGS IN THE INFORMATION SHALL RESULT IN CIVIL AND/OR (WHERE APPLICABLE) CRIMINAL LIABILITIES AND PENAL TIES

				DATE	NAME	PROJECT
			DRWN	2008-11-23	ZYB	POA1Y
			CHKD			EPX3000 SWITCH
			APPR			
B	UPDATE BOARD	040310	LGC	BEHRINGER		SHEET 1 of 1
B	MODIFIED	270309	RL			
A	CREATED	231108	ZYB			
REV	CHANGES	DATE	INIT	FILE : LED		

Module	Location	Fuse Ratings	Applicable
EPN1200	F1	T110AH 2.0V	UL JP
EPN1200	F1	TN10H 2.0V	EU/UK CCC SAA
EPQ2000	F1	T20AH 2.0V	UL JP
EPQ2000	F2	T10AH 2.0V	EU/UK CCC SAA



- X7-1 ← +5V
- X7-2 ← +5V
- X7-3 ← +5V
- X7-4 ← +5V
- X7-5 ← +5V
- X7-6 ← +5V



- X1-1 ← 1A +5V
- X1-2 ← 1A -5V
- X1-3 ← 1A +5V
- X1-4 ← FIB-HEITE
- X1-5 ← FIB-1 IN IT
- X1-6 ← FIB-IF

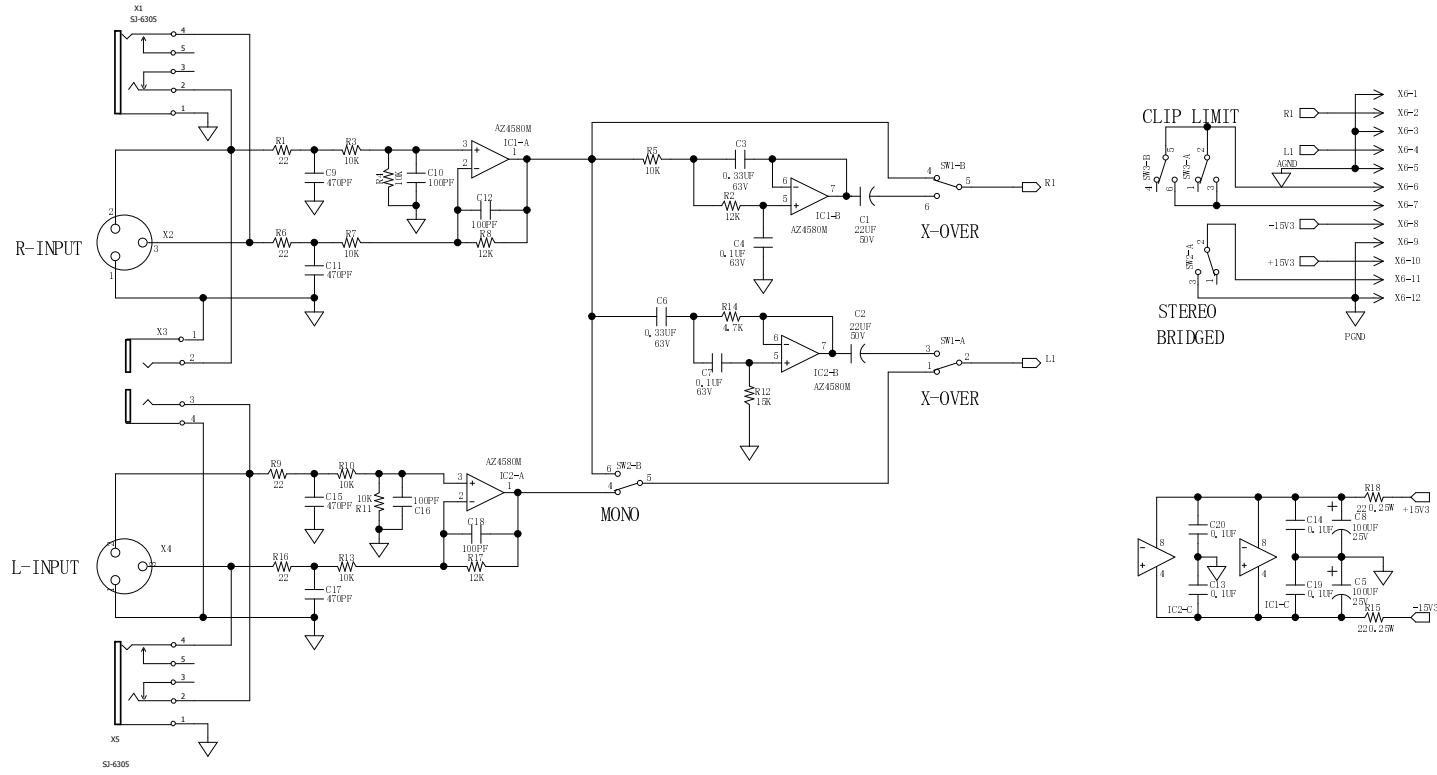
ALL INFORMATION (INCLUDING DRAWINGS AND DIAGRAMS) CONTAINED IN THIS DOCUMENT IS THE PROPERTY OF BEHRINGER ADDRESSES WHOM THE INFORMATION IS CONFIDED TO SHALL MAINTAIN THE INFORMATION IN CONFIDENCE AND SHALL NOT RELEASE IT TO ANY UNAUTHORIZED THIRD PARTIES EXCEPT UNDER ATTORNEY CLIENT PRIVILEGE OR UNDER APPROPRIATE CONFIDENTIALITY AGREEMENTS. ANY UNAUTHORIZED DISCLOSURE, REUSE, APPLICATION OR ANY OTHER DEALINGS IN THE INFORMATION SHALL RESULT IN CIVIL AND/OR WHERE APPLICABLE CRIMINAL LIABILITIES AND PENALTIES.

REV	DATE	NAME	APPR	FILE	INIT	FILE	DATE	DATE	DATE
1	2013-11-11	DRYAN		30P050					
2	2013-11-11	CHRDZ							
3	2013-11-11	APPR							

EPQ2000

POWER

SHEET 3 of 3



APPROVALS	DATA	SUPER WORD TECHNOLOGIES INC			
DRAWN:	2009-03-25				
CHECKED		EPX3000 INPUT BOARD REV B			
NP ENG:					
MFG ENG		SIZE D	SCALE:	DWG. NO.	REV: B
ISSUED:		DWG FILE:		SHEET	1 OF 1