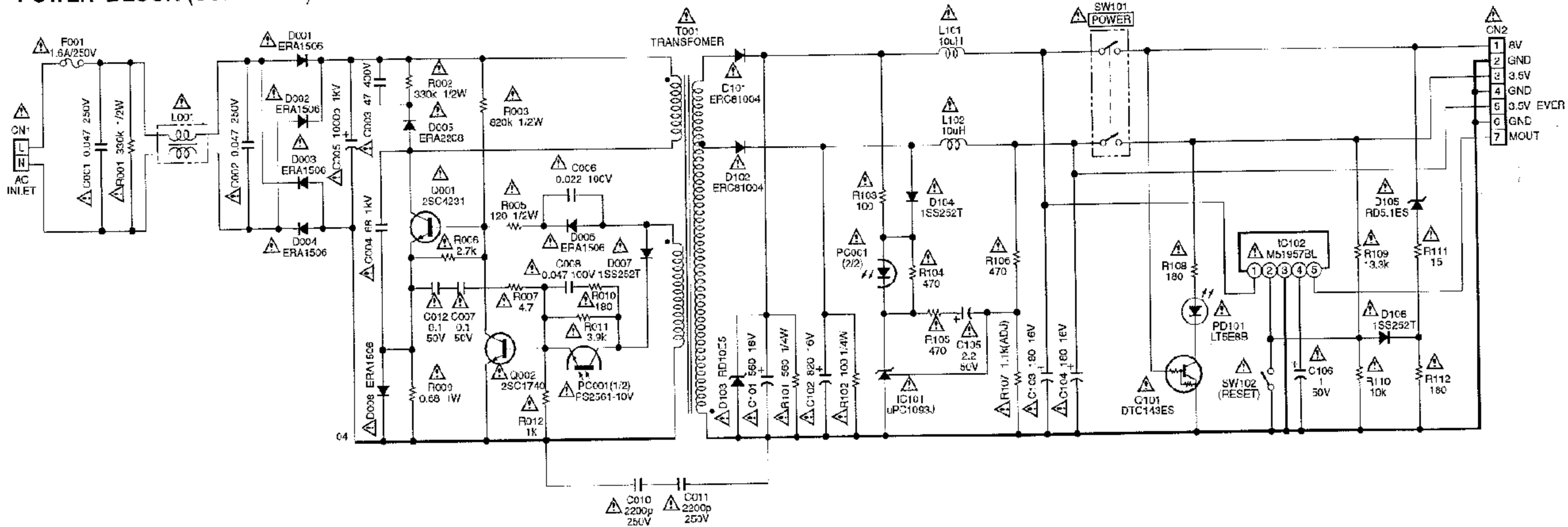
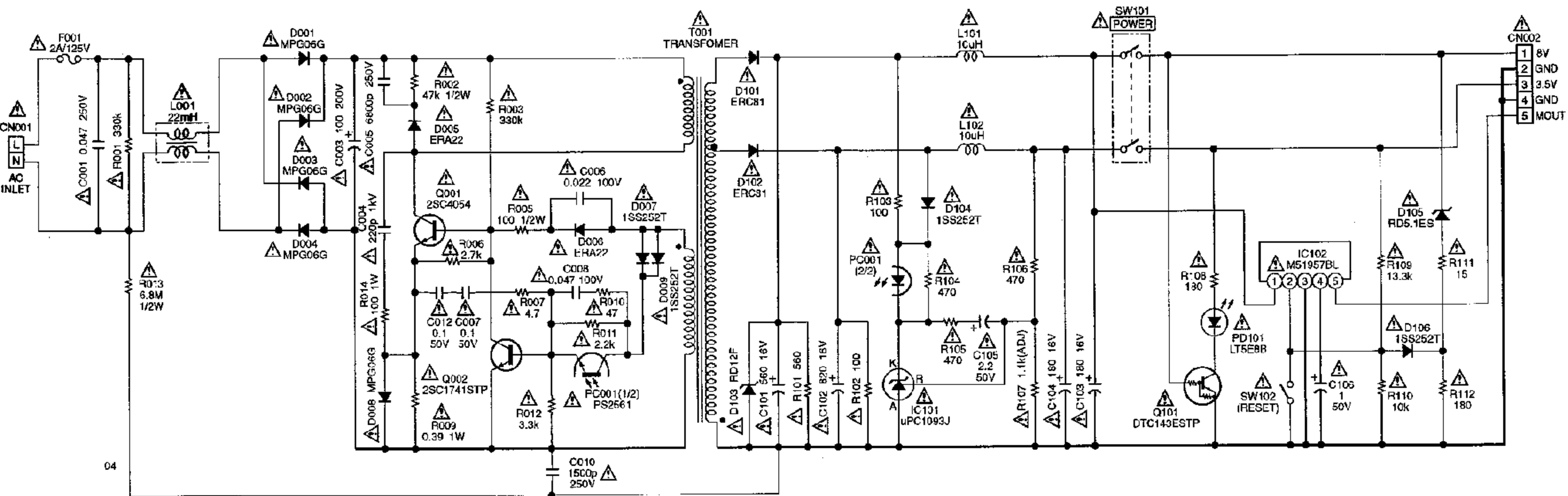
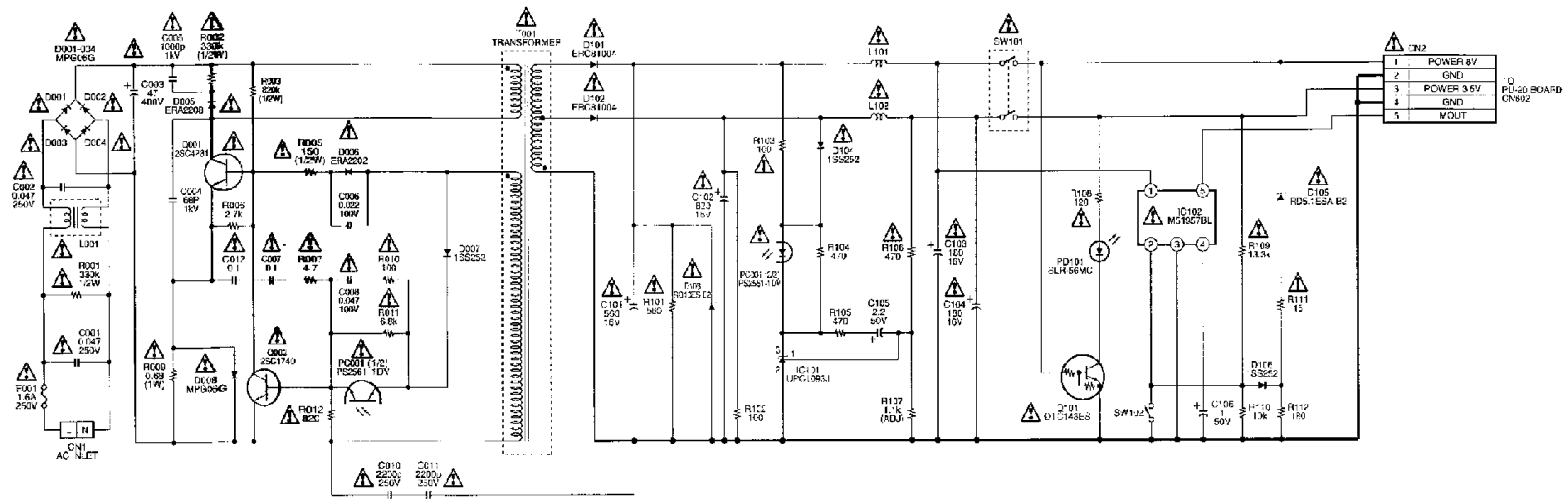


# POWER BLOCK (SCPH-1002)

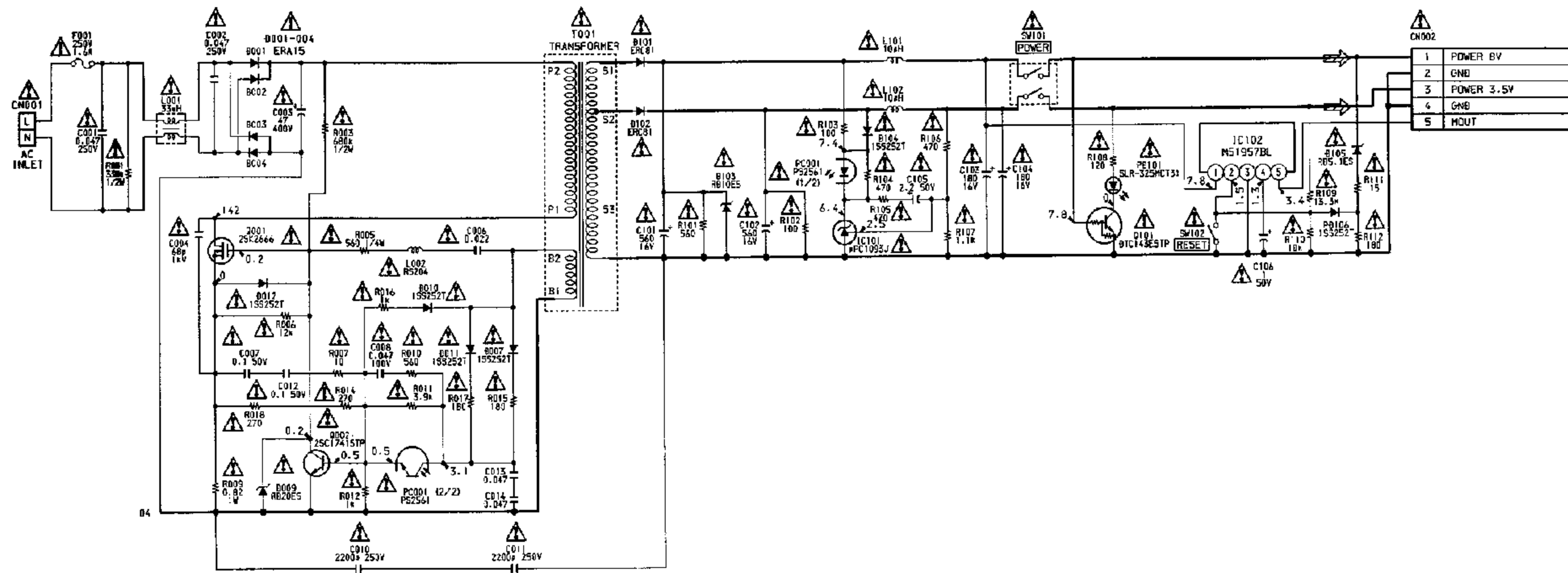




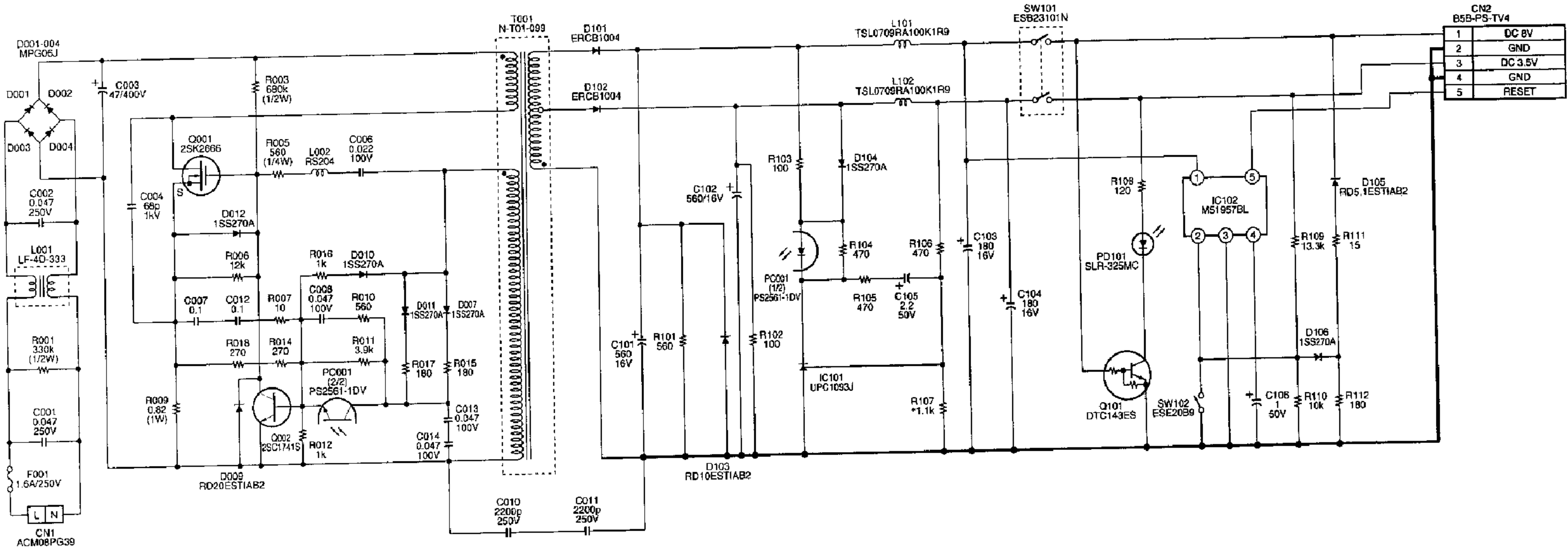


1	POWER 8V
2	GND
3	POWER 3.5V
4	GND
5	MOUNT

10  
PL-20 BOARD  
CN802



1	POWER BV
2	GND
3	POWER 3.5V
4	GND
5	MOUT



CN2 B5B-PS-TV4	
1	DC 8V
2	GND
3	DC 3.5V
4	GND
5	RESET