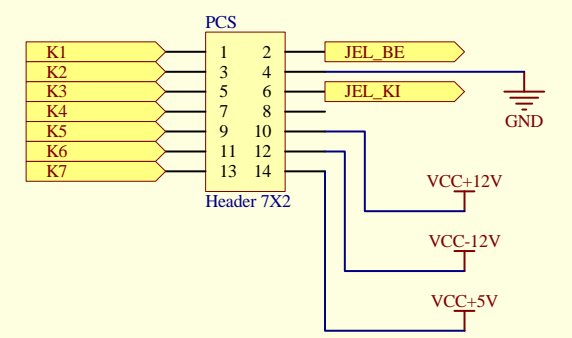


$A = 4,47X$
 $U_{ki\ cs-cs} = 1,71V$
 $U_{ki\ offset} = 2,25V$
 $U_{max\ be\ K2, K7} = 0,5V_{cs-cs}$
 $K2, K6 = 0,2V_{cs-cs}$
 $K2, K5 = 0,1V_{cs-cs}$
 $K3, K7 = 5V_{cs-cs}$
 $K3, K6 = 2V_{cs-cs}$
 $K3, K5 = 1V_{cs-cs}$
 $K4, K7 = 50V_{cs-cs}$
 $K4, K6 = 20V_{cs-cs}$
 $K4, K5 = 10V_{cs-cs}$



Title		
Analog bemenet kb.30Mhz		
Size	Number	Revision
A3		v1.0
Date:	2009.03.22.	Sheet of
File:	D:\bbatkaScopeMaxi\Analog\Sheet1.SchDoc	Drawn By: bbatka