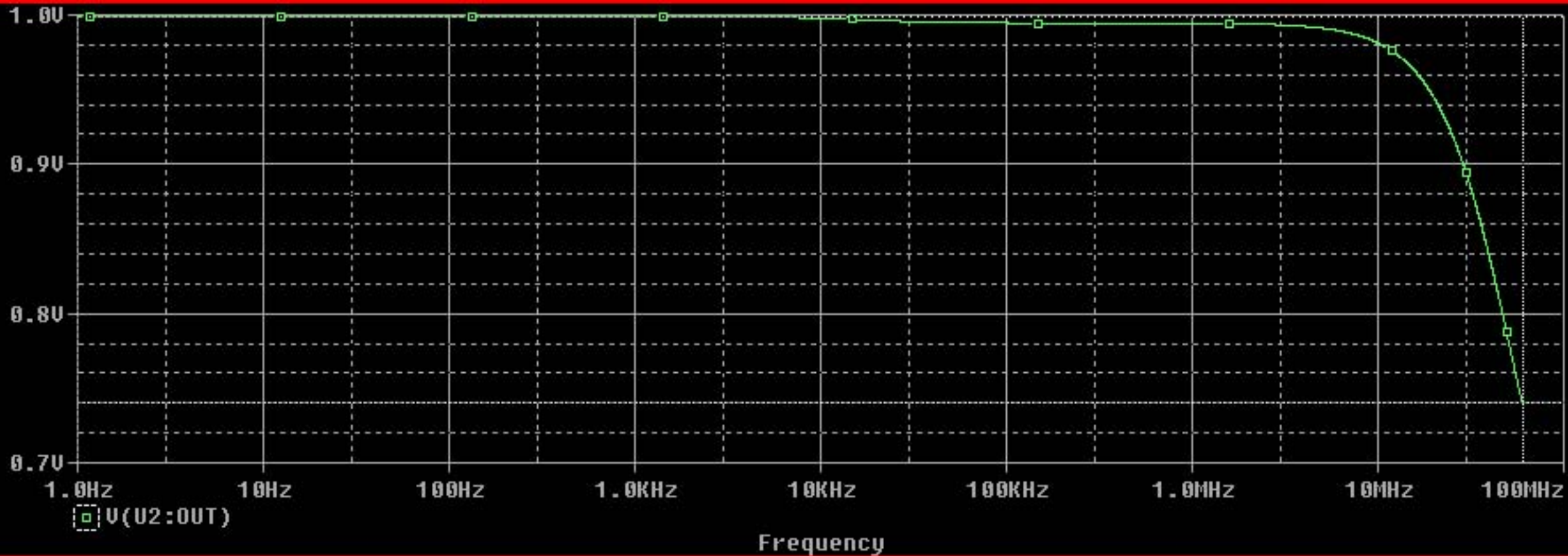
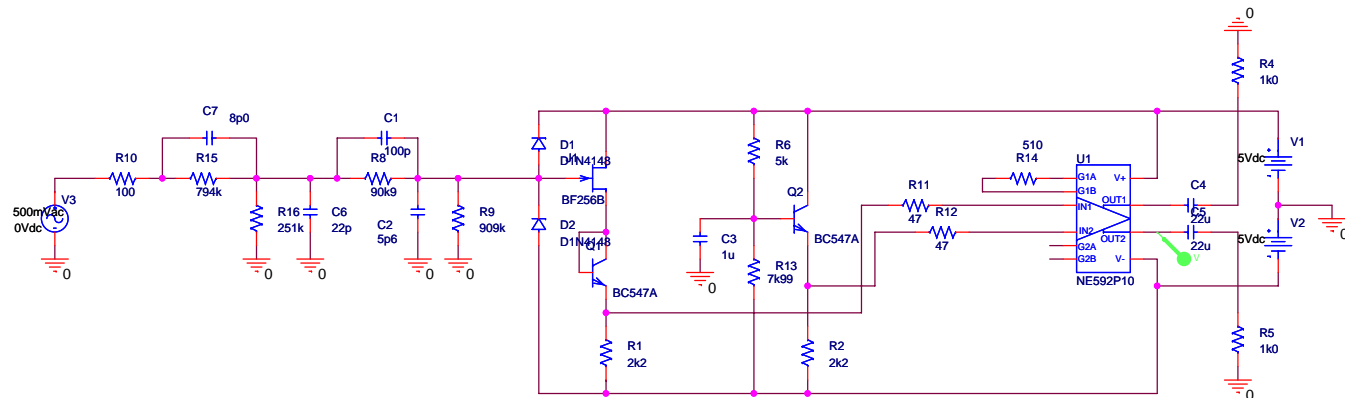
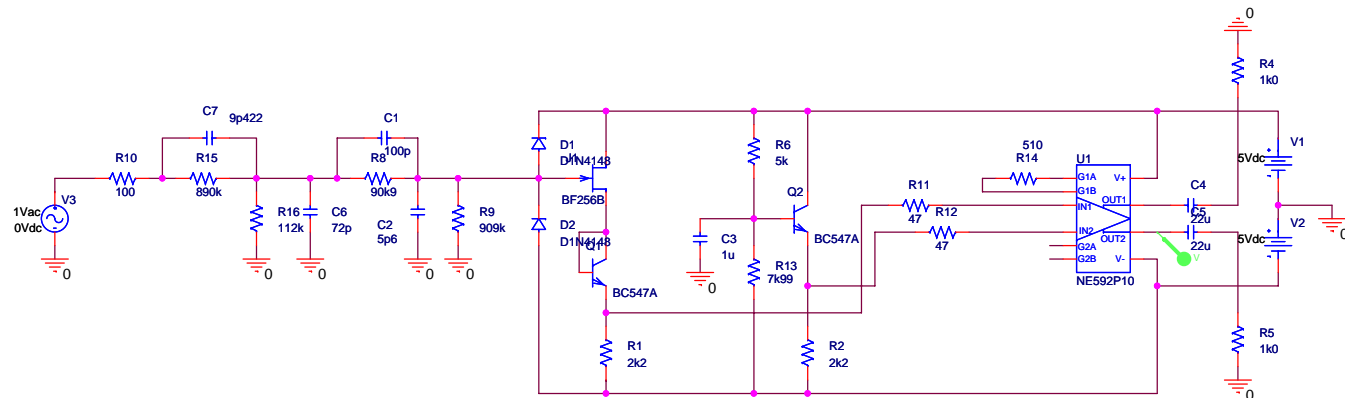


Title		
<Title>		
Size	Document Number	Rev
A4	<Doc>	<RevC>
Date:	Thursday, April 02, 2009	Sheet 1 of 1

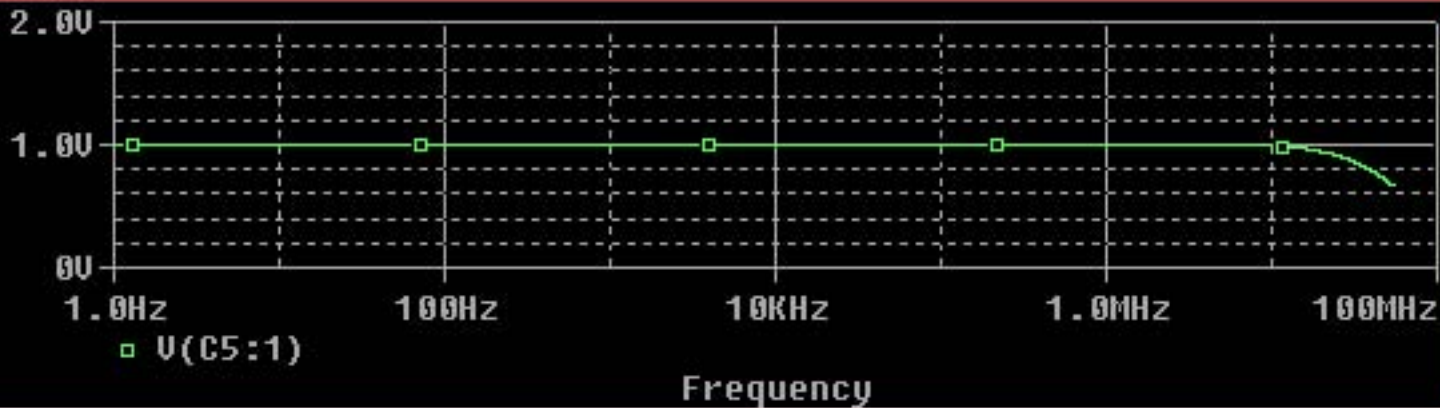


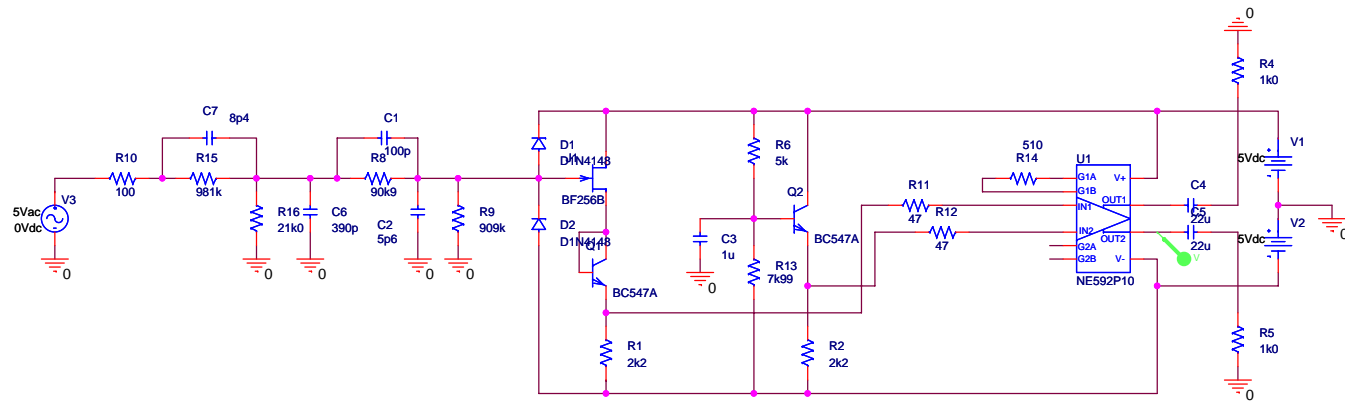


Title	<Title>	
Size	Document Number	Rev
A3	<Doc>	<Rev Code>
Date:	Wednesday, April 01, 2009	Sheet 1 of 1

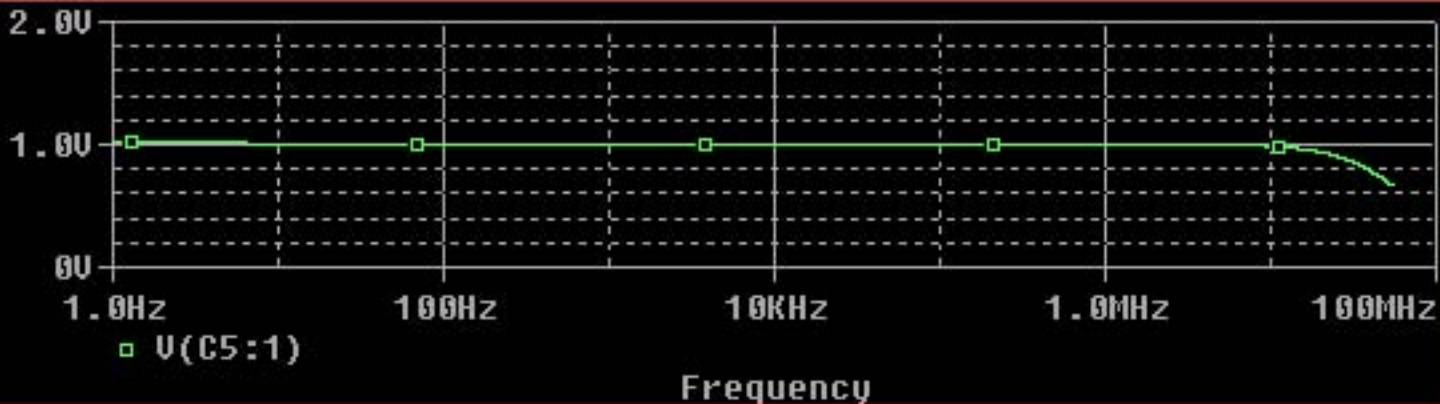


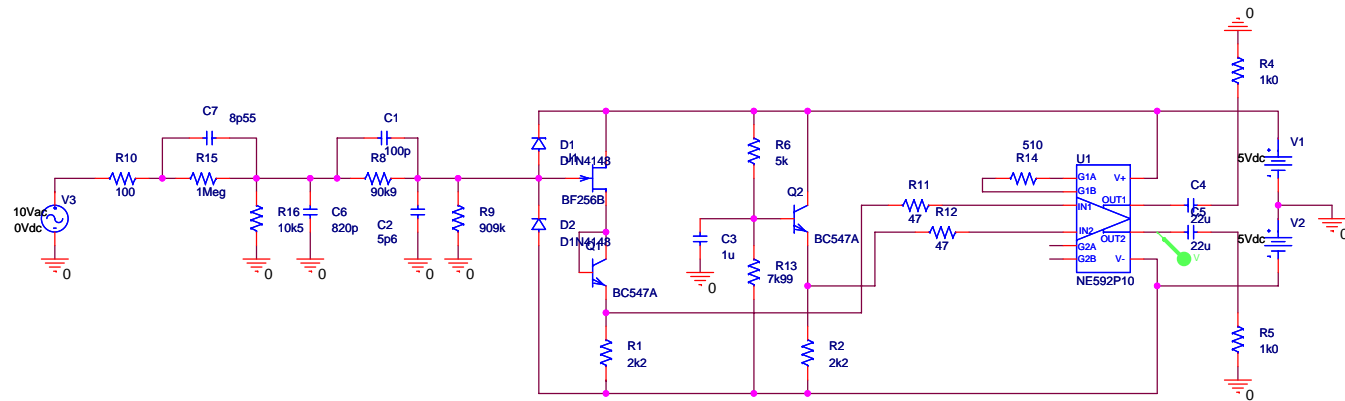
Title	<Title>	
Size	Document Number	Rev
A3	<Doc>	<Rev Code>
Date:	Wednesday, April 01, 2009	Sheet 1 of 1



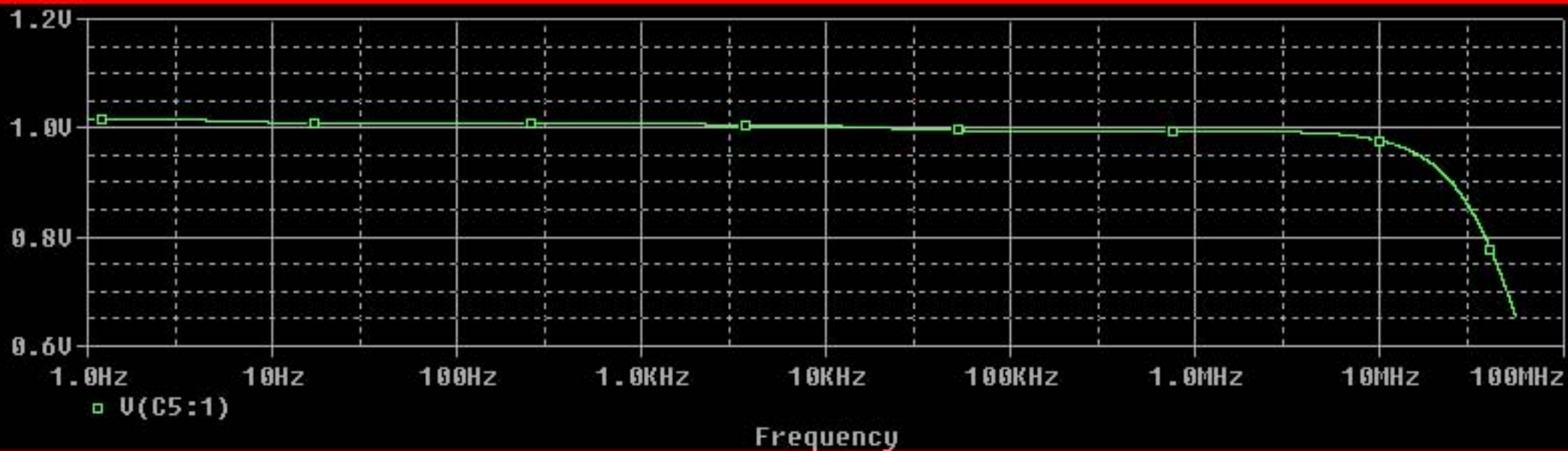


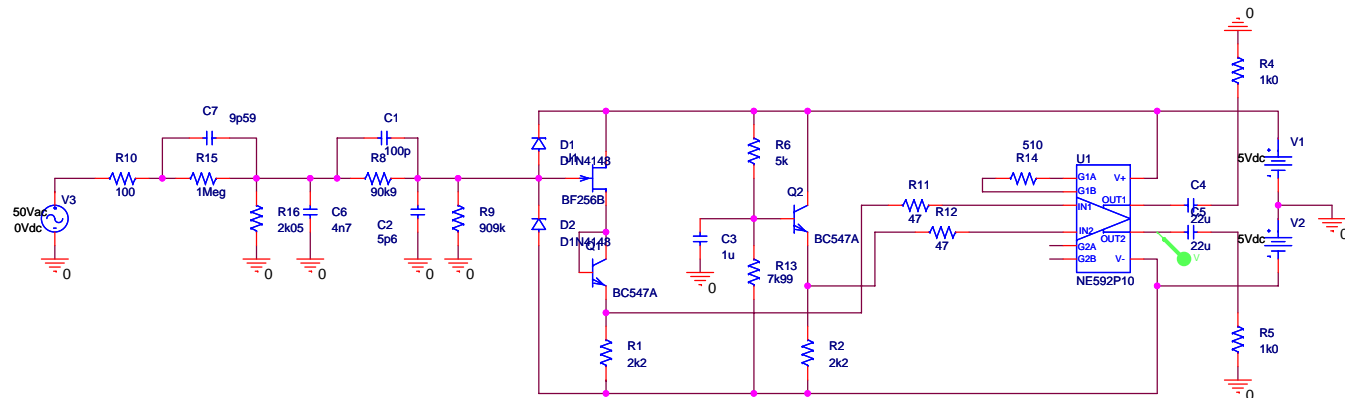
Title	<Title>	
Size	Document Number	Rev
A3	<Doc>	<Rev Code>
Date:	Wednesday, April 01, 2009	Sheet 1 of 1





Title	<Title>	
Size	Document Number	Rev
A3	<Doc>	<Rev Code>
Date:	Wednesday, April 01, 2009	Sheet 1 of 1





Title	<Title>	
Size	Document Number	Rev
A3	<Doc>	<Rev Code>
Date:	Wednesday, April 01, 2009	Sheet 1 of 1

