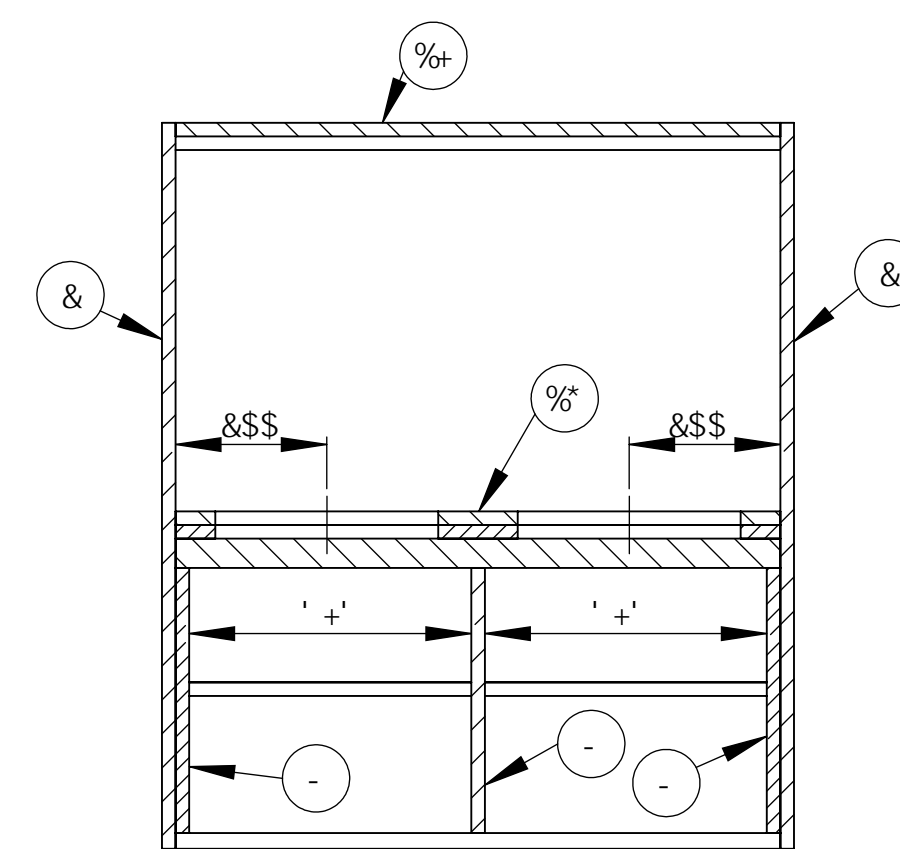


G7 < B #HBSFG B: 515
A 5EG66% (



616

&&<n'U'gE\Uhz fZY_j YbWz ^
H' Wj f'j [z frCE] Yb'bu[m\Uhz gZ__U' _fh' \$\$!') \$a a Yg\Ub[gnCEVYZ [UXz gZ fU'U' U'a Ug
[Yb'bu[m'Yfa Y_] Yh Y'gnUVUX hf'f\Ub[cgtz gZ fU'g' nuZa f'fY' Y'Y'a Yof% \$ [E'U'fU'ncb'z h.UKE_]]Y'
UnYfYXYh]Yfj Yb'fj _Ya fbnZU'fW'nYhib]pWjU'fU'ncb
FU'nc'U'A fYI

DC GBF*	A 98BMQ/	A 9 B9J 9W/G	<C GGN GN99G9	J 5G6: G5:	A 9 >9 Mm/G
%	&6: SZbf, Sfh l, Ssa a	- \$	SS	%	
&	&6: SC XU1, Ssa a	88SS	' + \$	%	I
-	%A U[S8i, Ssa a	(' -	SS	%	f/h/Yb gr [j z [z q
(%A U[S8i, Ssa a	(' -	SS	%	f/h/Yb gr [j z [z q
)	%A U[S1, Ssa a	&' (SS	%	f/h/Yb gr [j z [z q
*	%A U[S1, Ssa a	&' (SS	%	f/h/Yb gr [j z [z q
+	%A U[S1, Ssa a	%'	SS	%	f/h/Yb gr [j z [z q
-	%A U[S1, Ssa a	88	SS	%	
.	' A U[S1, Ssa a	* &') %	%	UU_cq
%8	&6: Sfh Y' S8, Ssa a	' &-	SS	%	Y/m/Yb gr [j z [z q
%8	&6: Sfh Y' S8, Ssa a	- + \$	SS	%	f/h/Yb gr [j z [z q
%8	%6: SVUb[grHEZ z: (B, Ssa a	(')	SS	%	f/h/Yb gr [j z [z q
%	&6: Sfh Y' S1, Ssa a) +	SS	%	f/h/Yb gr [j z [z q
%	&6: SVz HUd1, Ssa a	, 88	SS	%	
%	&6: SZ z: (B, Ssa a	985	SS	%	
%	%6: SVUb[grHEZ z: (DSVY'q l, Ssa a	(' +	SS	%	f/h/Yb gr [j z [z q
%	%6: SVUb[grHEZ z: (SVz HUd1, Ssa a) &	SS	%	