

Request For Quotation

Order the parts you need from our real-time inventory database. Simply complete a request for quotation form with your part information and a sales representative will respond to you with price and availability.

[Request For Quotation](#)

Your free datasheet starts on the next page.

More datasheets and data books are available from our homepage: <http://www.datasheetarchive.com>

Reversible motor driver

BA6208/BA6208F

The BA6208 and BA6208F are monolithic ICs used for driving reversible motors. They allow control of reversible motors in cassette players and other electrical equipment by using TTL-level logic signals.

The ICs contain a logic section, which controls forward and reverse rotations as well as forced stop, and an output power section, which can supply an output current of up to 100mA (typical) according to the logic control.

●Features

- 1) Motor driving power transistors are built in (100mA typically).
- 2) Brake is applied when stopping the motor (when inputs A and B are both HIGH level).
- 3) Built-in diode to absorb surge currents.
- 4) Very low standby circuit current when inputs A and B are both LOW level.
- 5) Wide range of operating supply voltage (4.5 ~ 15.0V).
- 6) Direct control with the TTL logic.

●Absolute maximum ratings (Ta=25°C)

Parameter	Symbol	Limits	Unit
Power supply voltage	Vcc	18	V
Power dissipation	BA6208	Pd	700*1
	BA6208F	Pd	450*2
Operating temperature	Topr	-20~60	°C
Storage temperature	Tstg	-55~125	°C
Maximum output current	Iout	500	mA

*1 Reduce power by 7 mW for each degree above 25°C.

*2 Reduce power by 4.5 mW for each degree above 25°C.

●Recommended operating conditions (Ta=25°C)

Parameter	Symbol	Min.	Typ.	Max.	Unit
Power supply voltage	Vcc	4.5	—	15	V

●Input/output truth table

3pin (Ain)	2pin (Bin)	8pin (Aout)	7pin (Bout)
H	L	H	L
L	H	L	H
H	H	L	L
L	L	OPEN	OPEN

Note : HIGH level input is 2.0 V or more

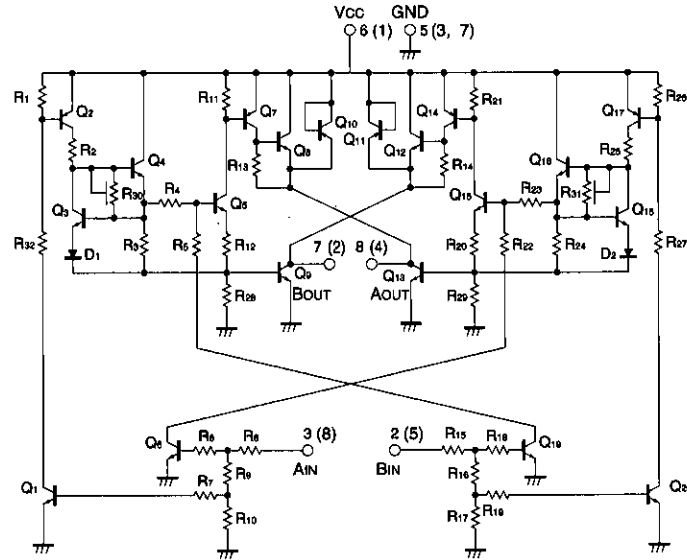
LOW level input is 0.8 V or less

●Electrical characteristics (unless otherwise noted, Ta=25°C and Vcc=9V)

Parameter	Symbol	Min.	Typ.	Max.	Unit	Conditions
Output current	I _o	200	—	—	mA	
Output saturation voltage	V _{CE}	—	—	1.6	V	I _o =100mA
HIGH level input voltage	V _{IH}	2.0	—	—	V	
LOW level input voltage	V _{IL}	—	—	0.8	V	
Standby circuit current	I _{ST}	—	—	0.4	mA	When inputs A and B are both LOW level
HIGH level input current	I _{IH}	—	—	400	μA	V _{IH} =4.5V

A diode that absorbs at least 500 mA is built in to give protection against surge currents with a pulse width of 10 ms and a duty ratio of 10% or less.

●Equivalent circuit diagram



Note : Figures in parentheses are for the BA6208F

●External dimensions (Units: mm)

Fig.1

