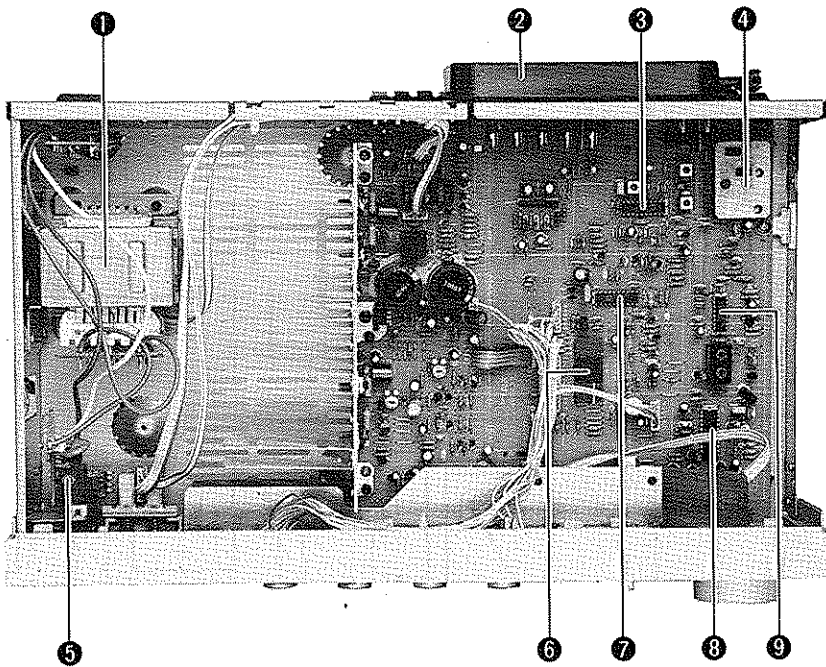


INTERNAL VIEW



- ① POWER TRANSFORMER
U.S.A. model: GA68800
Canadian model: GA68810
General model: GA68820
European model: GA68830
Australian & British models: GA68840
- ② AM LOOP ANTENNA
- ③ AM IC: LA1245
- ④ FRONT END PACK
- ⑤ POWER SWITCH
- ⑥ 4 BIT CPU IC: LC7030
- ⑦ PLL IC: LM7000
- ⑧ MPX IC: LA3400
- ⑨ FM IF IC: LA1235

DISASSEMBLY PROCEDURES

1. Removal of Top Cover

Remove 7 screws (①) in Fig. 1, and slide the Top Cover back.

2. Removal of Front Panel

Remove 4 screws (②) and 4 hooks in Fig. 1, and pull the Front Panel forward.

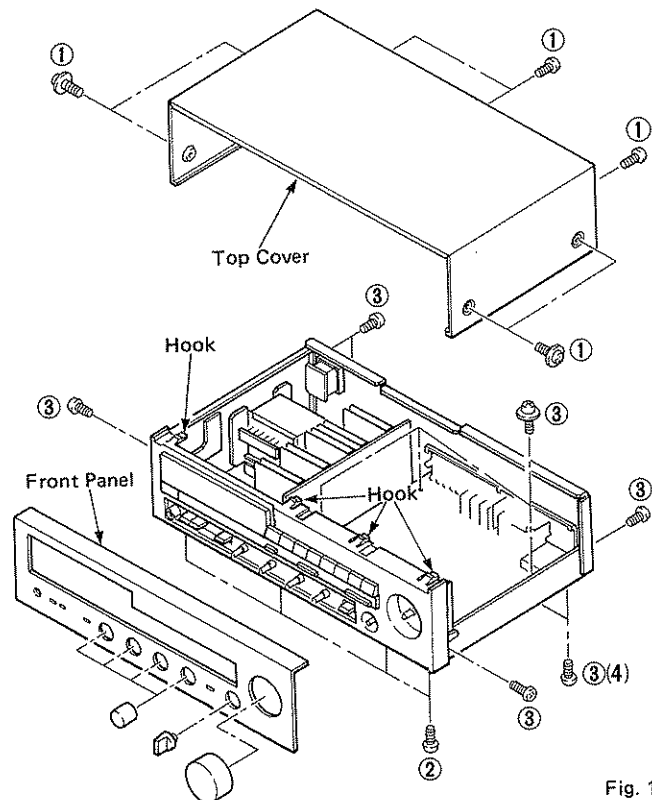


Fig. 1.

3. Check of Main Circuit Board (1) & replacement of parts.

- a. Remove 12 screws (③) in Fig. 1.
- b. Push the Power switch on.

- c. Remove the Main Chassis as shown in Fig. 2

In this condition it is possible for you check the Main Circuit Board (1) and replace the parts.

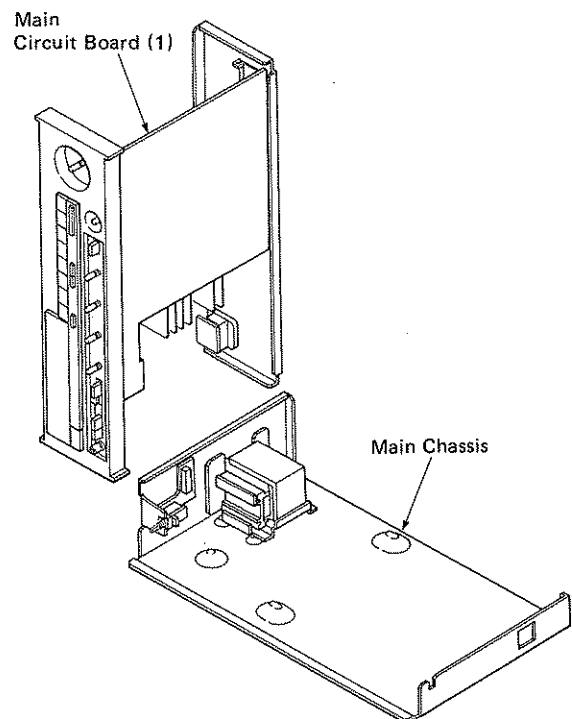


Fig. 2

SCHEMATIC DIAGRAM
• Audio Section

R-3

A

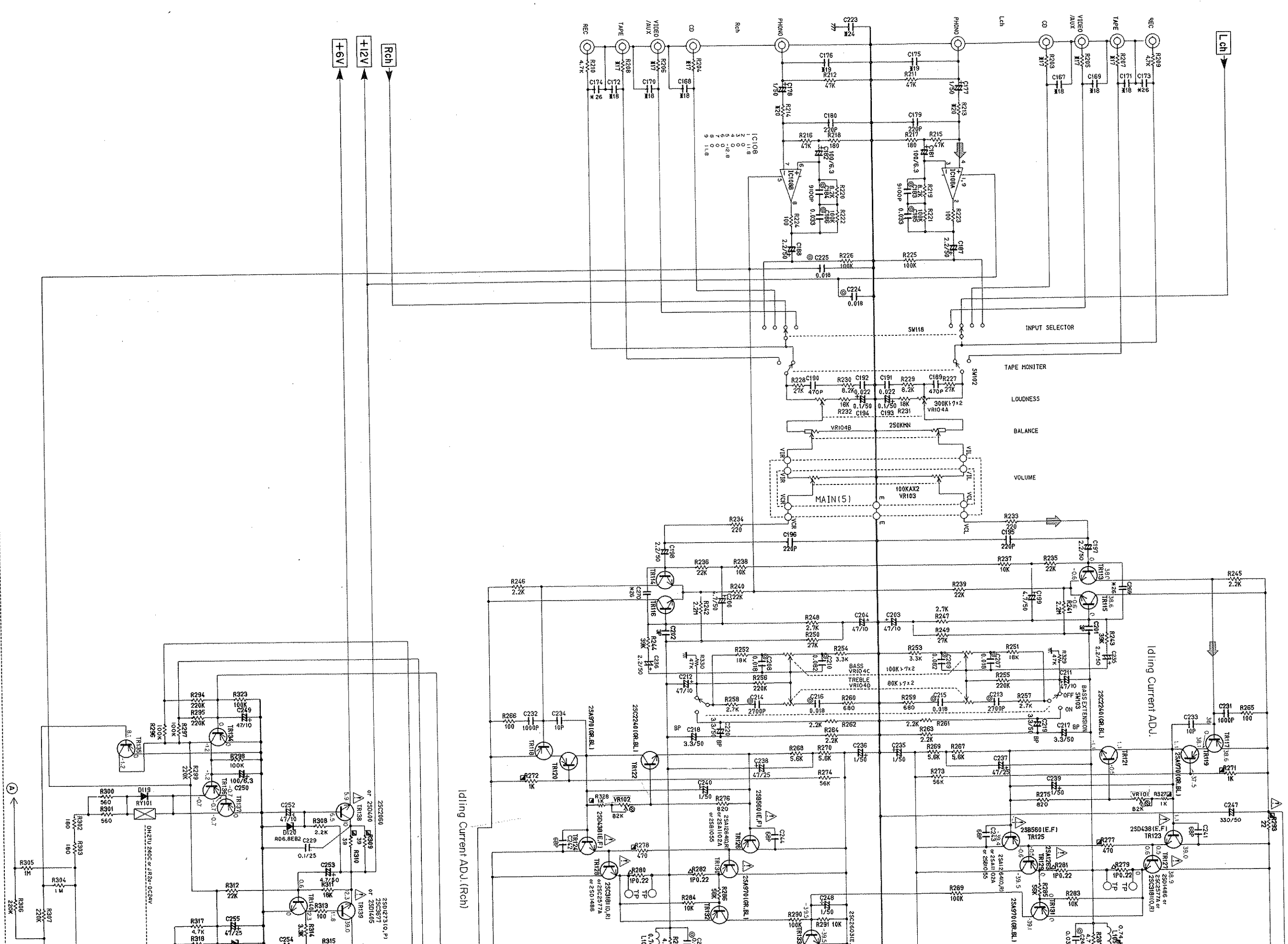
B

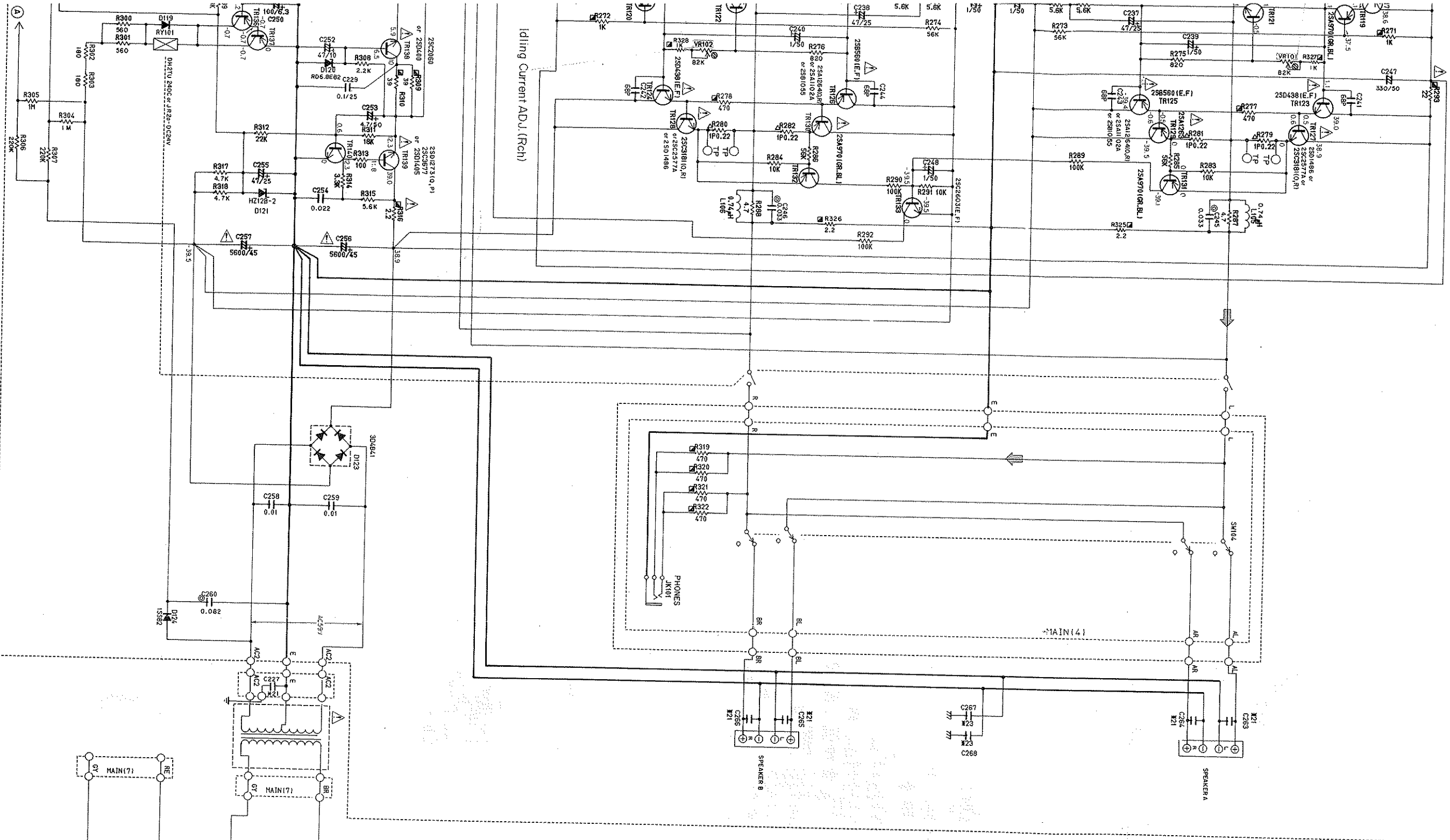
C

D

E

F

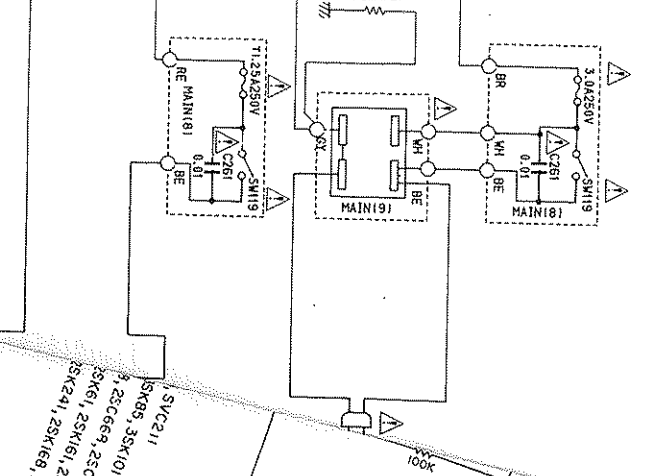
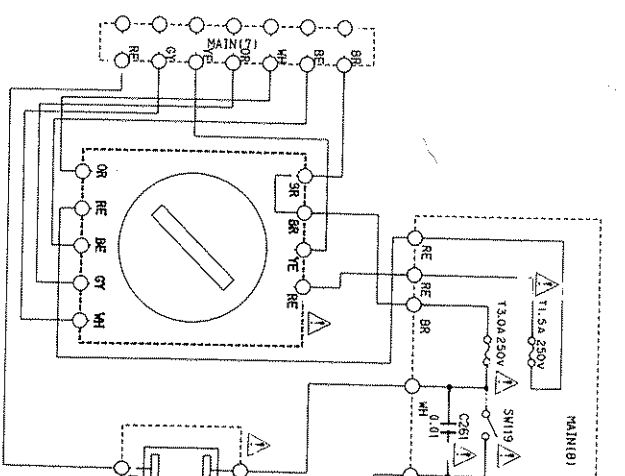




UNLESS OTHERWISE SPECIFIED:
 DIODES ARE 1S1555 OF 1S2473
 PNP TRANSISTORS ARE 2SA115(E,F) OR 2SA1310(R,S,T)
 NPN TRANSISTORS ARE 2SC2603(E,F) OR 2SC3312(R,S,T)

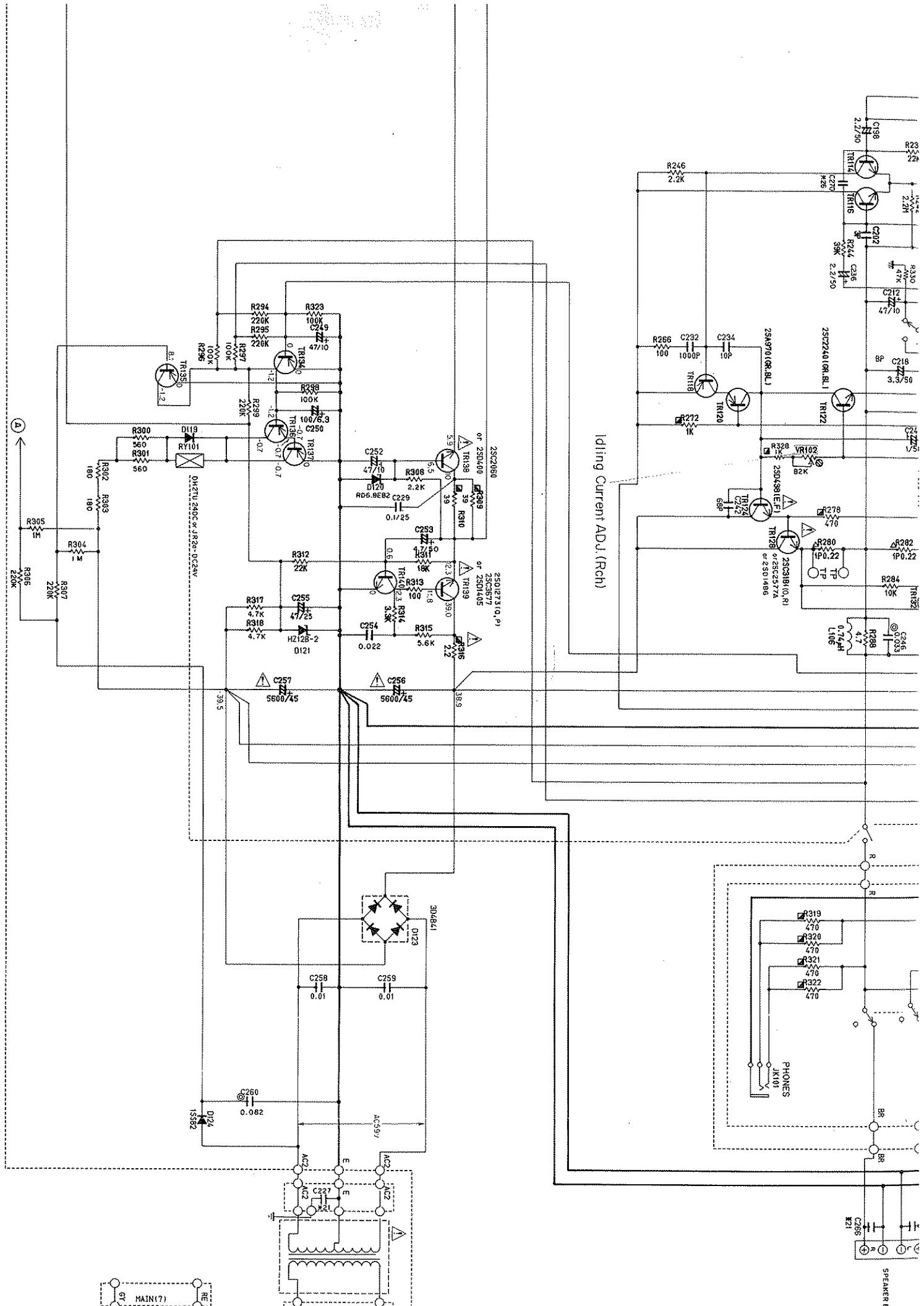
REMARKS	PARTS NAME
NO MARK	CARBON FILM RESISTOR
□	CARBON FILM RESISTOR (1/6W)
△	METAL OXIDE FILM RESISTOR
▲	METAL FILM RESISTOR
■	METAL PLATE RESISTOR
▣	FIRE PROOF CARBON FILM RESISTOR
□	CEMENT MOLDED RESISTOR
⊗	SEMI VARIABLE RESISTOR

REMARKS	PARTS NAME
NO MARK	ELECTROLYTIC CAPACITOR
⊙	CERAMIC CAPACITOR
⊗	POLYESTER FILM CAPACITOR (Mylar)
⊖	POLYSTYRENE FILM CAPACITOR
⊕	MICA CAPACITOR
⊙	POLYPROPYLENE FILM CAPACITOR
●	SEMICONDUCTIVE CERAMIC CAPACITOR



- All voltages in condition.
- Component replaced with schematic.

1SVK211
 3Kd9, 3SK10
 2SC669, 2SC6
 3Kd1, 2SK161, 2SK
 2SK241, 2SK169, 2



Idling Current ADJ. (Rch)

UNLESS OTHERWISE SPECIFIED :
 DIODES ARE 1S1555 or 1S2473
 PNP TRANSISTORS ARE 2SA1115(E,F) or 2SA1131(1)
 NPN TRANSISTORS ARE 2SC2603(E,F) or 2SC3912

