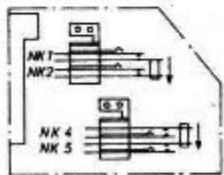
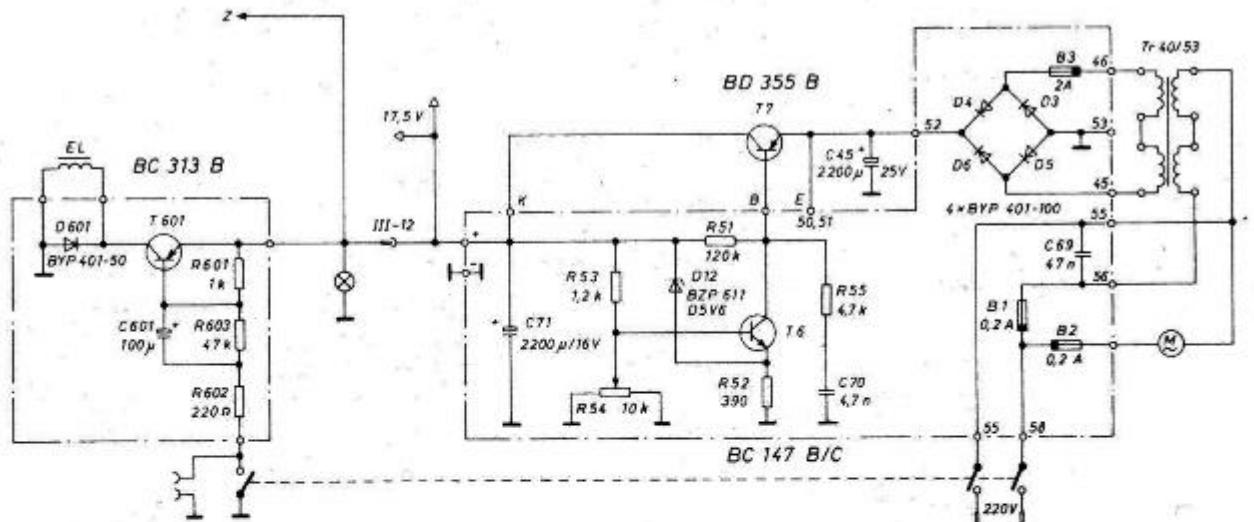
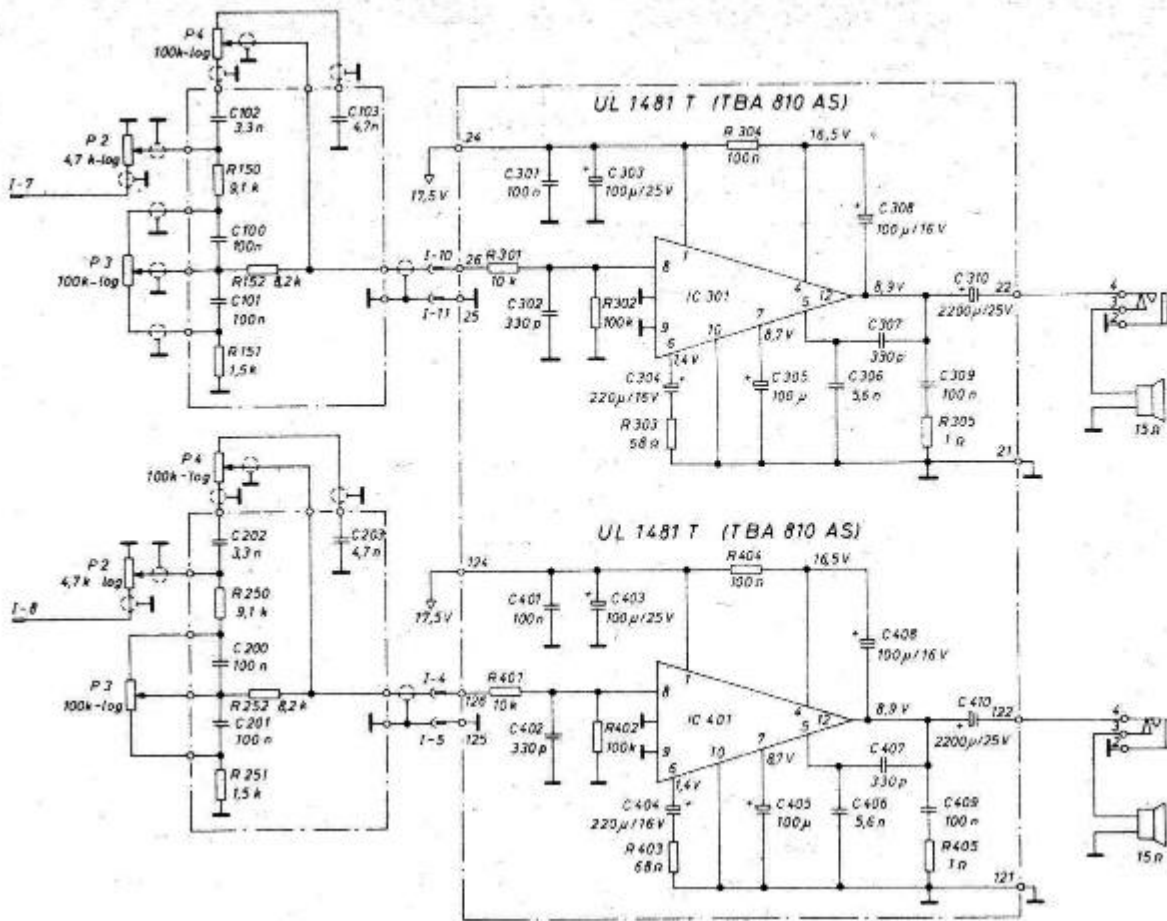
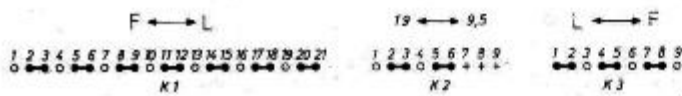


M 2405 S / 1



			NK1	NK2	NK4	NK5
▽	Start			o	o	
◁			o	o		
▷			o	o		
Stop			o	o		

	00	2 → 1	1	2	1 → 2	2'
SK 1	7-9/9-N0/11/12	6-7-10/11/12	6-7-10-11-12	6-7-8/9	6-7/8/9	6-7
SK 2	3-7/9-12 1-11	8-9/12/7 3-2/5 1-10	7-8 1-10	7-8 1-10	7-8-9/12 3-2/5 1-10	7-8 1-10
SK 3	10-12 3/4-5/2-6	10-12 3/4-5/2-6	10-12 3/4-5/2-6	6-10 2/5-3/4-12	6-10 5/2-3/4-12	3/4-6 5/2-3/4-12
SK 4	10-12 3/4-6	8/11-10-12 3/4-6	10-12 3/4-6	6-10 3/4-12	6-10-8/11 3/4-12	3/4-6 3/4-10-12 1-2



M 2405 S / 2