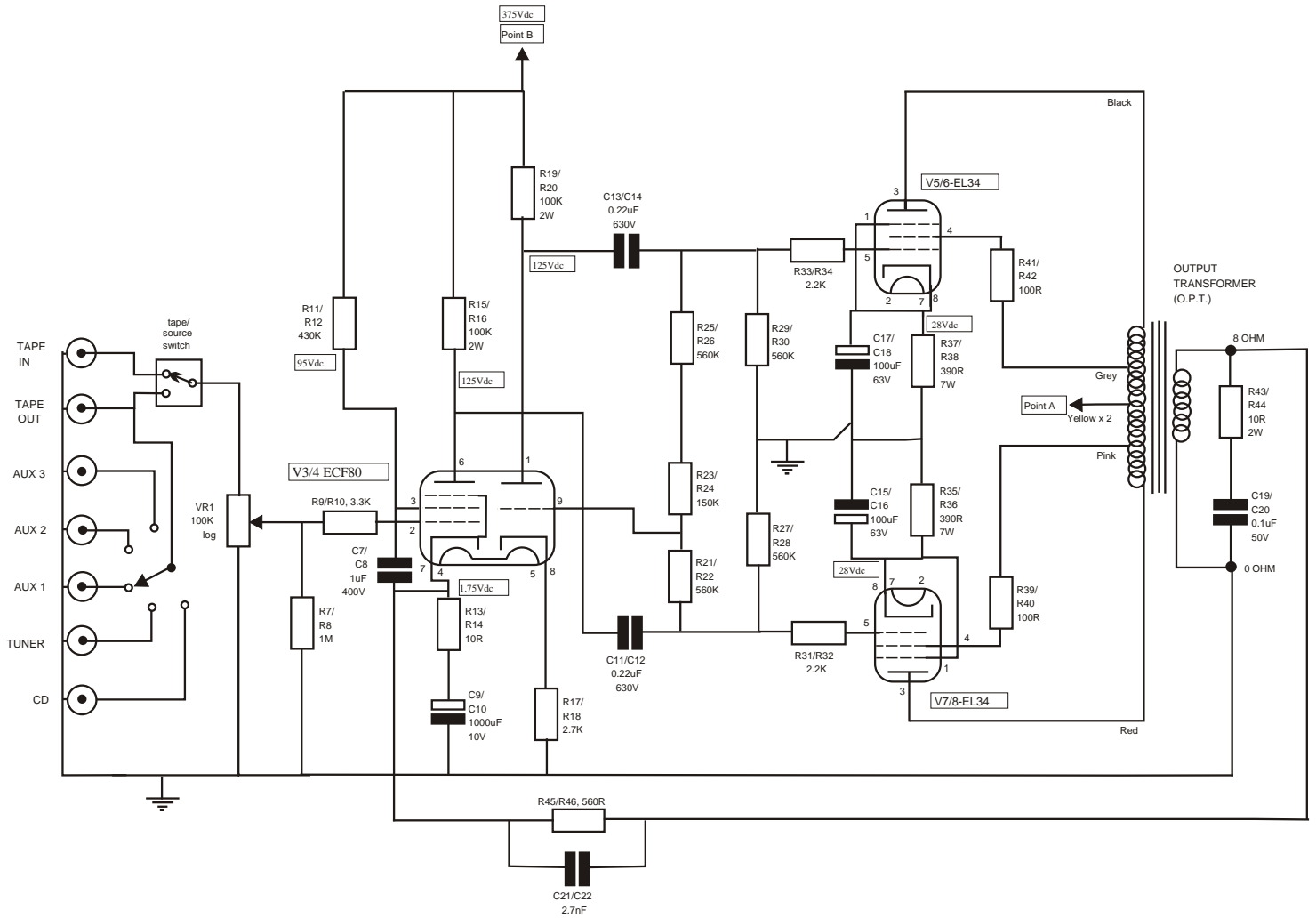


# KIT34

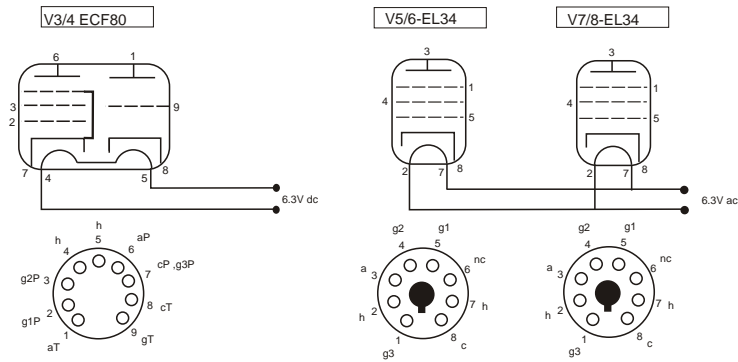
## Integrated Valve Amplifier

### Circuit Diagram

#### signal circuit (one channel)



#### Valve pin layout



Views are from underneath valve or valve holder  
h = heater hct = heater centre tap c = cathode a = anode g1 = grid 1 g2 = grid 2 g3 = grid 3 nc = no connection (T=triode P=pentode for V1)

