

RTV servis Horvat

Kešinci, 31402 Semeljci

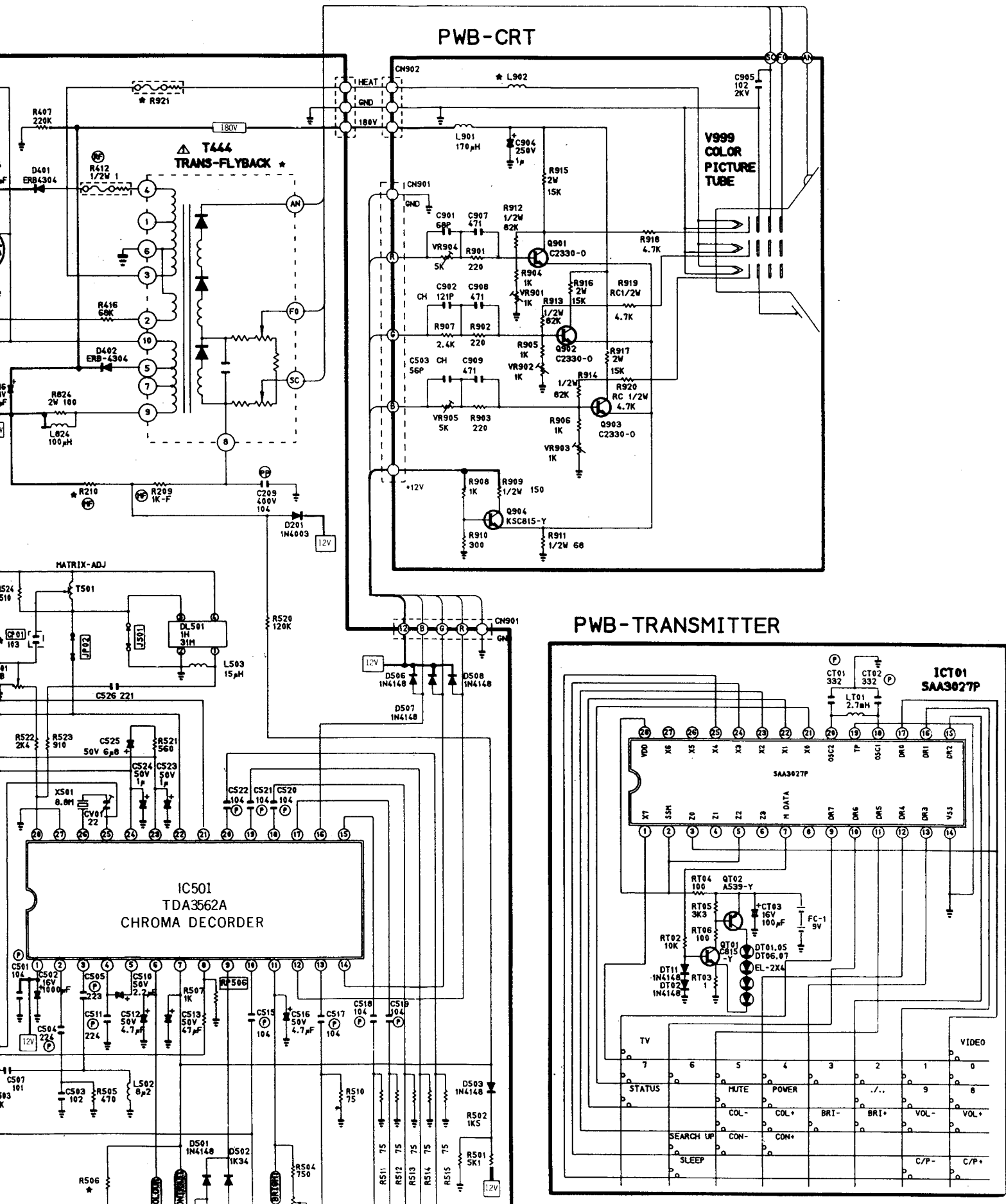
031-856-139

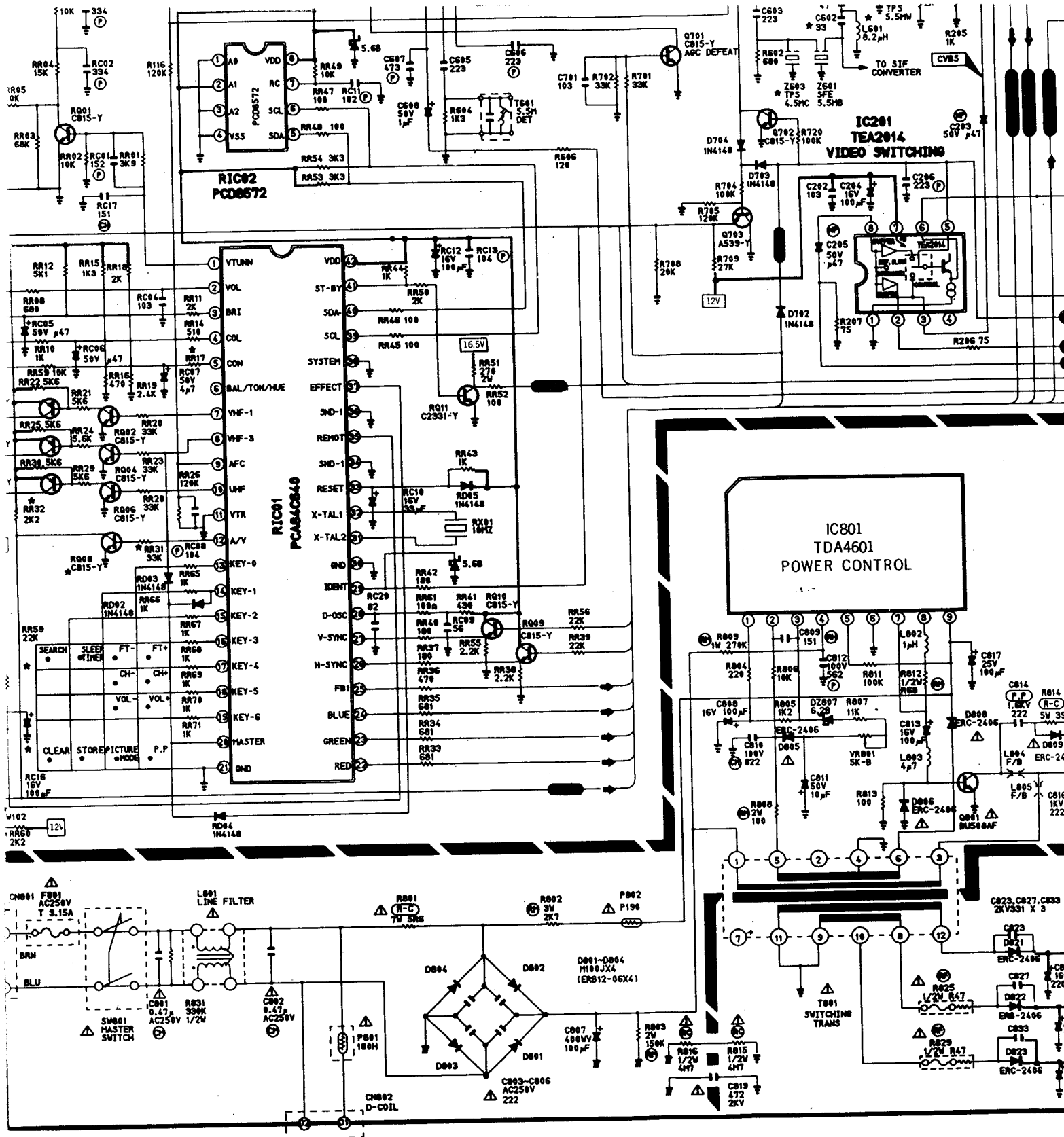
031-856-637

098-788-319

rtv-servis-horvat@os.tel.hr

Croatia





DIFFERENT PARTS FOR 20 INCH AND 14 INCHS

LOCATION	14 INCH		20 INCH
	NORMAL	MINI-NECK	
NR002	1/2W 1K5		1/2W 1K5
NC001	25V 330µF		25V 330µF
NC002	16V 60µF		16V 60µF
RA14	3K3	3K3	4K3
R210	133K-F(1/2W)	133K-F(1/2W)	127K-F(1/2 W)
CA19	200V 364		200V 434
L401		200mH/400mH	
L404	DS48-157µH	K10/195µH	DS48-157µH
T402	K-20-14		K-20-14
Q402	2SD1650	2SD1650	2SD1651
T444	FCR1415AL	FCR14A004	FCR12015AL
Y999	3720022	AS4EAC00X	5100001X
RR17	3K	3K	1K
RR19	2K4	2K4	3K
R506	8K2	8K2	10K
L902	12µH	43µH	25µH
R921	RF1P(0.47)	RF1P(1)	RF1P(1)

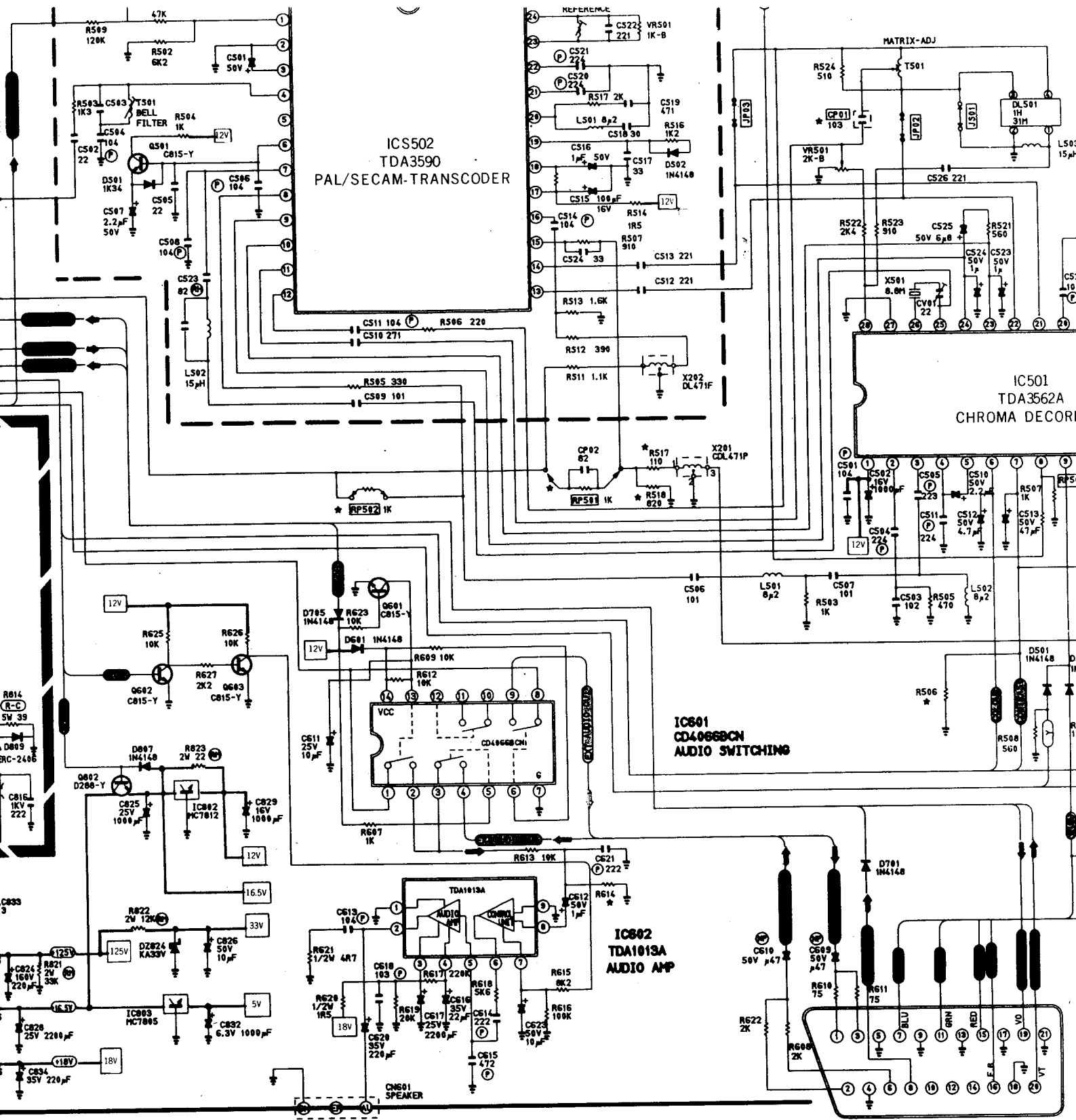
DIFFERENT PART FOR SOFT-TOUCH AND REHOCON MODEL

LOCATION	SOFT-TOUCH	REHOCON
SM102	KSA-2272	
RR06	2K2	
PA01		LTMP034 or SC 5CP
RC16		16V 100µF
RR50		1/8W 47
RR59		1/8W 22K
RR32		1/2 W 2K2
RR31		1/8W 33K
R000		CB15-Y

DIFFERENT PARTS FOR PAL-B/G AND SECAM-B/G,D/X

LOCATION	PAL-B/G	SECAM-B/G	PAL-B/G SECAM-B/G SECAM-D/X
RS17	1K	110	110
RS10	620	620	620
RP501	620		
RP502	1K		
CP01	103		
R601	220a	220a	75a
C602	47	47	33P
L601	12µH	12µH	8.2µH
CP02	82		
Z603			TPS4,5MC

LOCATION	Part
RA	
TC	
Carbon	
Osido	
Metal	
Varia	
Positi	
C	
T	
P	
Tc	
Metal	
Polyp	
Polyc	
Chelic	
Chelic	



RESISTOR	
TYPE	MARK
Carbon Composition	C
Oxide Metal Film	M
Metal Film	RM
Coated	R-C
Variable Resistor	
Positive Resistor	

CAPACITOR	
TYPE	MARK
Ceramic	No Mark
Polyester	P
Tantalum	T
Metal Polyester	MP
Polypropylene	P.P
Polyester Polypro	DSA
Chemical Electrolytic	
Chemical Non-Polar	

OBSERVATION OF VOLTAGES AND WAVEFORMS

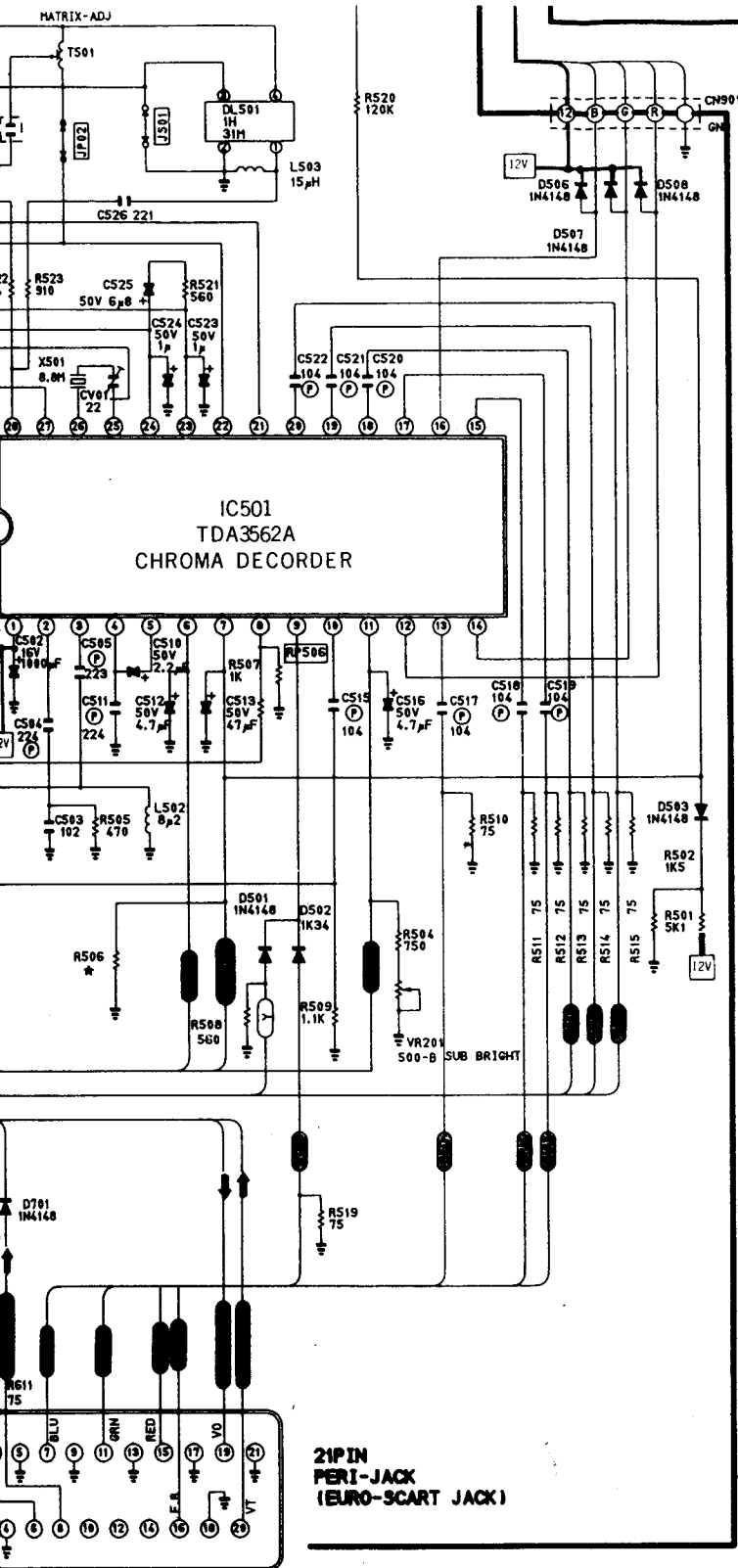
- 1 Voltages read with "VTVM" from point shown to chassis ground. line voltage 220/240V colour bar signal.
- 2 Voltages reading may vary $\pm 20\%$.
- 3 The schematic shown is representative only.
- 4 All waveforms are taken using a wide band oscilloscope and a low capacity probe.
- 5 Check FINE TUNING, AGC, BRIGHTNESS, CONTRAST, and COLOUR controls for best picture.
- 6 Waveforms are taken using a standard colour bar signal.

EXPRESSION

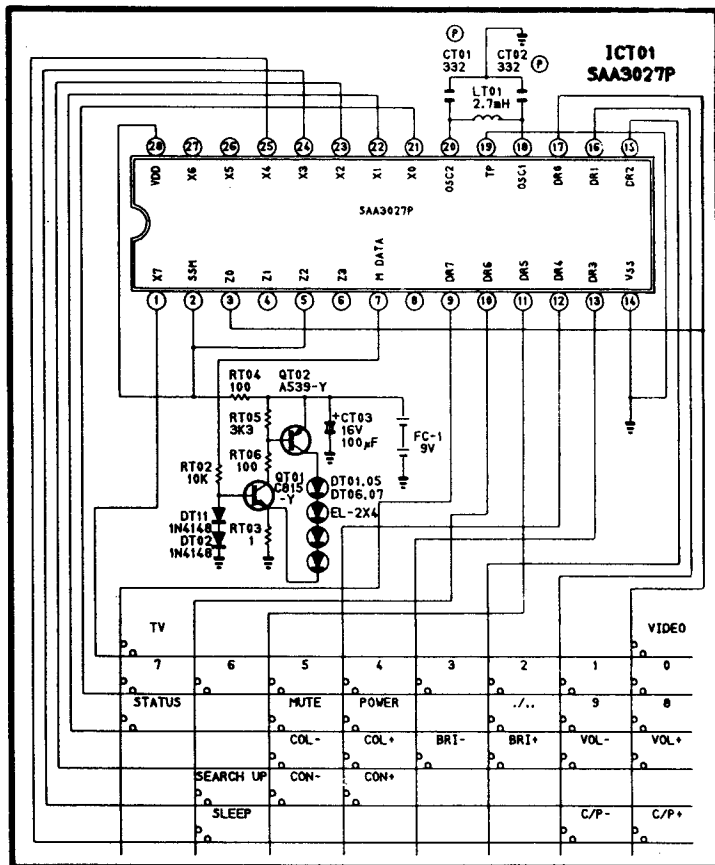
1. Resistance is shown ohm K=1,000 M=1,000,000.
2. Unless otherwise noted in schematic all cap values less than 1 in pf.
3. Unless otherwise noted in schematic all in values less than 1 in mH.
4. According to the Model's name, it may be marked on Schematic Diagram.

NOTE

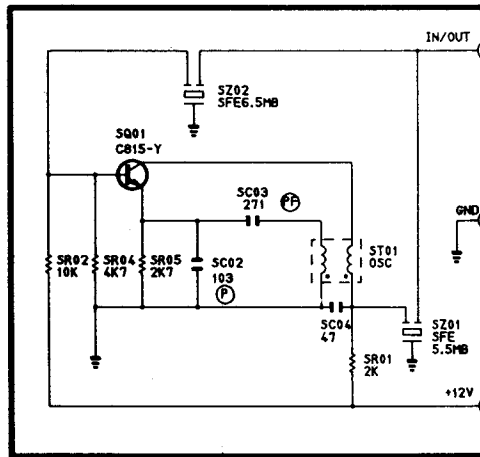
The circuits are subject to change without notice.



PWB-TRANSMITTER



SECAM-D/K SIF CONVERTER



RTV servis Horvat

Kešinci, 31402 Semeljci

031-856-139

031-856-637

098-788-319

rtv-servis-horvat@os.tel.hr

Croatia

EXPRESSION

Resistance is shown ohm K=1,000 M=1,000,000

Unless otherwise noted in schematic all capacitor values less than 1 are expressed in mfd, the values more than 1 in pF.

Unless otherwise noted in schematic all inductor values are expressed in uH, and the values less than 1 in mH.

According to the Model's name, It may be impossible to apply and to change the "★" Marking on Schematic Diagram.

NOTE

The circuits are subject to change without notice to improve the picture quality.