

Service Sheet of MC-64A chassis

P/N:484-935A-S
DATE:APR.04,1997

NOTICE

Since this is a basic schematic diagram, the value of components and some partial connection are subject to be changed for improvement without notice.

The components marked Δ conform VDE or IEC guidelines and essential for safe operation of the TV receiver, while those marked ∇ are required for correct operation. Use specified parts only when replacing.

VALUE OF RESISTOR, CAPACITOR AND INDUCTOR

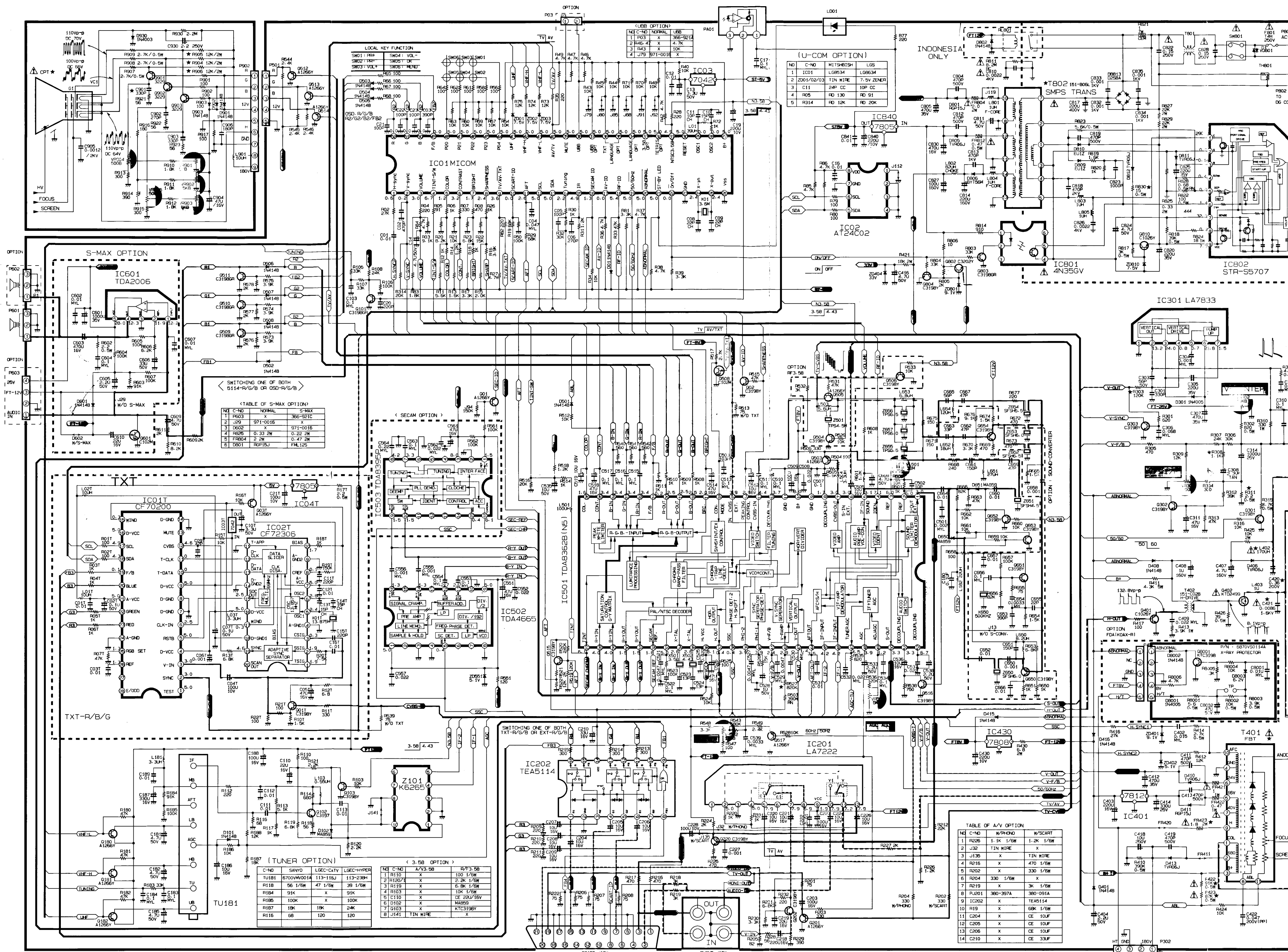
- Resistance is shown in ohm, K=1,000 M=1,000,000.
- Unless otherwise noted in schematic, all capacitor values less than 1 are expressed in pF and the values more than 1 in μ F.
- Unless otherwise noted in schematic, all inductor values less than 1 are expressed in μ H and the values less than 1 in H.

OBSERVATION OF VOLTAGE AND WAVEFORMS

- Voltsages read with VTVM from point to ground. Line voltages 180 ~ 270 volts, color bar signal.
- Voltsages reading may vary 1/2 ~ 20 %.
- The schematic shown is representative only.
- All waveforms taken using a wide band oscilloscope and a low capacity probe.
- Check FINE TUNING, AGC, BRIGHTNESS, CONTRAST and COLOR controls for best picture. make sure that BRIGHTNESS and COLOR controls are in mid position and CONTRAST controls is almost in maximum position.
- Waveforms are taken using a standard color signal.

TABLE OF INCH CONVERSION (∇ 484 changing parts)

CIRCUIT NO.	14"	16"(OPTION)	20"	21"	REMARK
L401	154-064P	154-064P	154-375H	154-375F	FBT
L402	150-L01H	150-L01H	150-L02C	150-L02C	LINEARITY COIL
R309	680	680	1.1K	1.1K	RESI. RD 1/8W
R311	2.2	2.2	2.2	2.2	RESI. RD 0.5W
R323	100K	100K	68K	68K	RESI. RD 0.5W
R422	100K	100K	91K	79K	RESI. RD 0.5W
C420	0.47	0.36	0.36	0.47	CAPA. MPP 200V
C421	6200P	6800P	6800P	6800P	CAPA. MPP 1.6KV
R830	12	12	12	15	RESI. RS 0.5W
R830	12	12	12	15	RESI. RS 0.5W S-MAX
T802	151-B060	151-B060	151-B060	151-B060	TRANS. SMPS M/L
T802	151-B06H	151-B06H	151-B06J	151-B06J	TRANS. SMPS S-MAX
P301	381-100F	381-100F	381-226D	381-226D	SOCKET CPT
R308	111-M64C	111-M64C	111-M64B	111-M64B	PCB MAIN
R304	68	300	300	300	RESI. RD 2W
F423	3.0	3.0	1.8	1.6	RESI. RF 2W
R919	10K	12K	12K	12K	RESI. RS 2W
R920	10K	12K	12K	12K	RESI. RS 2W
R921	10K	12K	12K	12K	RESI. RS 2W
C301	2700P	2700P	3300P	3300P	CN 50V
R308	470	470	1.5K	470	RESI. RD 1/8W
C474	0.039	0.039	0.022	0.022	CO 100V
R411	4.7K	4.7K	4.3K	4.3K	5W
R303	100K	79K	100K	91K	RESI. RD 1/8W
R307	680K	680K	680K	680K	RESI. RD 1/8W



1. RF/AV/TXT SWITCHING

MODE	SUB MODE	LA7222-2-4	R362-16	V-COM-40	V-COM-40	VIDEO	ALC10
RF	RF-TV	H	H	H	H	H	H
RF	RF-TXT	H	H	H	H	H	H
AV	AV-VIDEO	L	L	L	L	L	L
AV	AV-TXT	L	L	L	L	L	L

2. SAW FILTER SWITCHING

MODE	D102	SAW FILTER 1 AND 10	D103
PAL	OFF	NOT CONNECT	ON
NTSC	ON	CONNECT	OFF

3. SOUND TRAP SWITCHING

SYSTEM	V-COM131	0206	0204	0205	0201
PAL	H	ON	OFF	ON	OFF
NTSC	L	OFF	ON	OFF	ON

4. SOUND FILTER SWITCHING

SYSTEM	V-COM131	0201	0203	0205	0204	0202
PAL	H	ON	OFF	ON	OFF	ON
NTSC	L	OFF	ON	OFF	ON	OFF

5. H-SHIFT

V-FREQ	V-COM191	0917	PH-2(V)	H-SHIFT	SYSTEM
60HZ	L	ON	U	RIGHT	NTSC
50HZ	H	OFF	N	LEFT	P/S

6. V-CENTER SHIFT

V-FREQ	V-COM191	0301	V-CENTER	SYSTEM
60HZ	L	ON	UP	NTSC
50HZ	H	ON	UP	P/S

7. SYSTEM CONTROL (AUTO)

S-D10161	V-FREQ	SYSTEM	3-58-SM131	50/60191	TINT14	TINT CONTROL
H	60HZ	SECAM	H	H	H	X
L	60HZ	N4.43	L	L	L	M
L	60HZ	N4.56	L	L	L	M

8. SYSTEM CONTROL (FORCED)

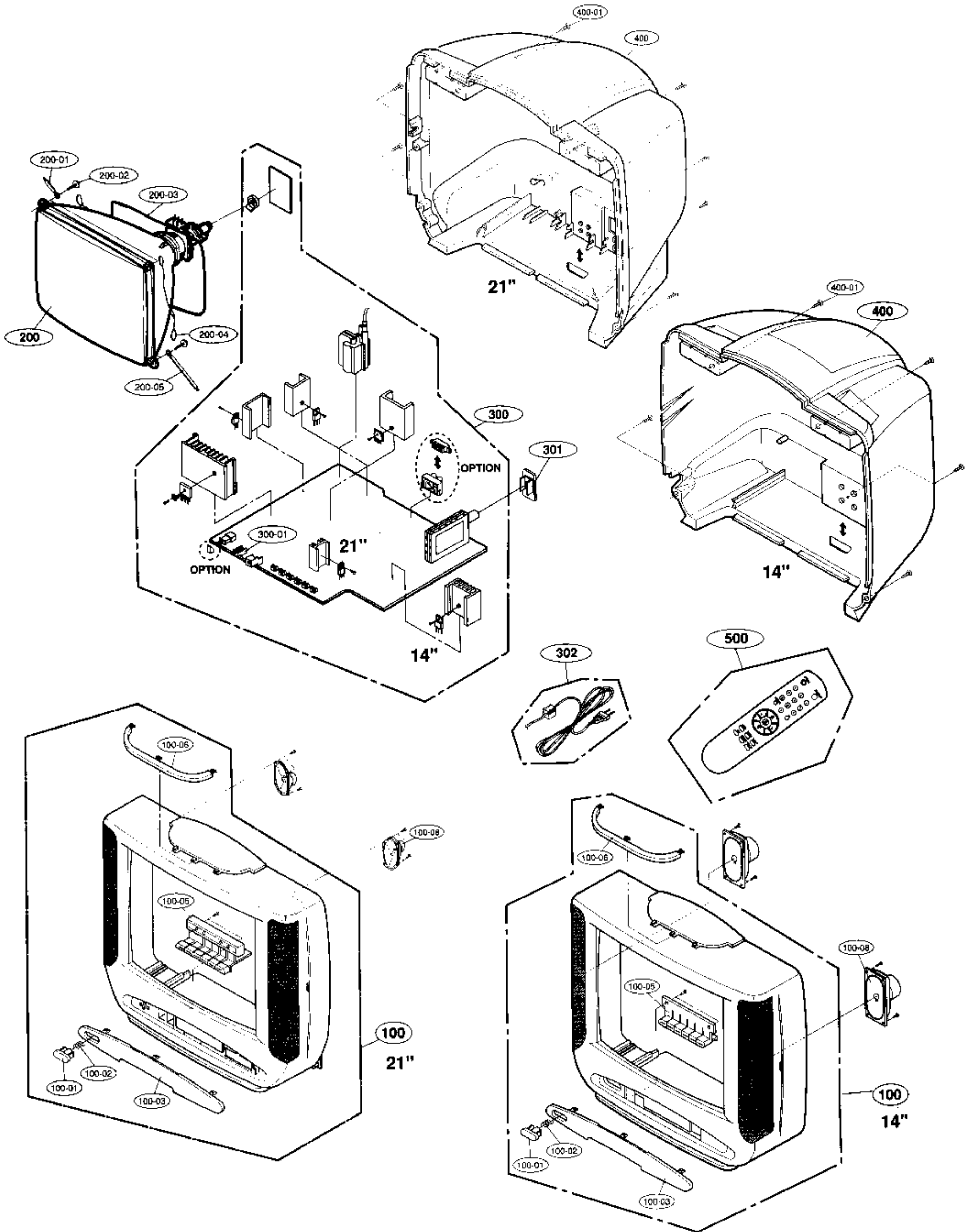
SYSTEM	3-58-SM131	50/60191	TINT-SM141	SINT CONTROL
PAL	H	H	H	X
SECAM	H	H	H	X
N4.43	L	L	L	3.5
N4.56	H	L	L	3.5

9. SYSTEM CONTROL (A/V)

S-D10161	V-FREQ	SYSTEM	3-58-SM131	50/60191	TINT-SM141	TINT CONTROL
H	60	SECAM	H	H	H	X
L	60	PAL	H	H	H	X
L	60	N4.56	L	L	L	3.5
L	60	N4.43	H	L	L	3.5

ADJUSTMENT: SIF/SOUND, EXT.SOUND, POWER, WAVEFORM: CVBS/VIDEO, EXT.VIDEO, HORIZONTAL

EXPLODED VIEW : CF-14/21D16R



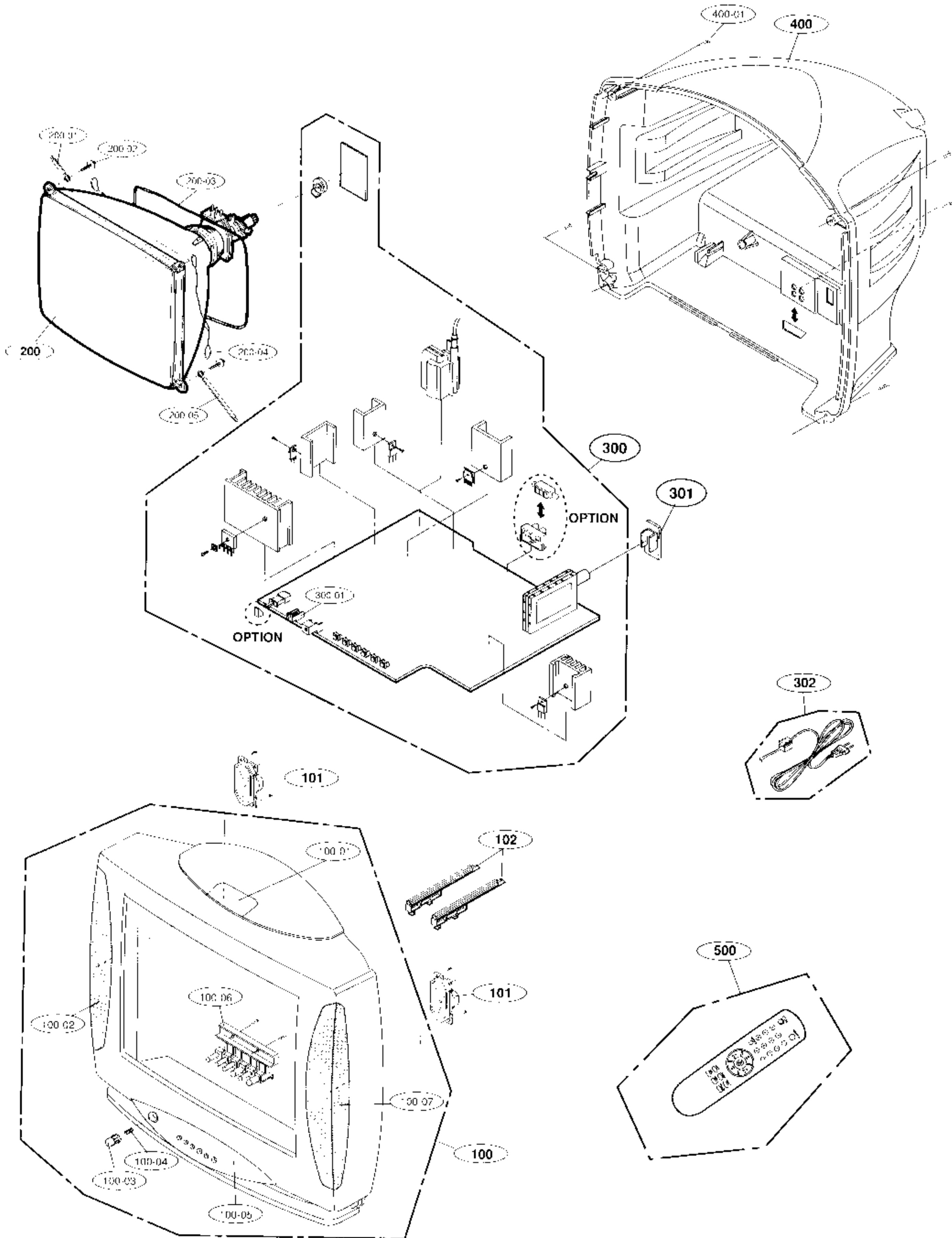
EXPLODED VIEW PARTS LIST

The components identified by shading and mark Δ are critical for safety.
Replace only with part number specified.

LOCA. NO	PART NO	DESCRIPTIONS
100	3091V00028F *	CABINET ASSY KCF21D16R RXLRS8
	3091V00056Q *	CABINET ASSY KCF14D16R
100-01	441-422A *	BUTTON,POWER
	441-420A	BUTTON,POWER 14"
100-02	320-075B *	SPRING,KNOB
	320-070G	SPRING,COIL 14"
100-03	316-466M	WINDOW ASSY,CONTROL 26SYS W/O KARAOKE
	316-445J	WINDOW ASSY,CONTROL 14"
100-05	441-421A *	BUTTON,CONTROL
	441-419A *	BUTTON,CONTROL 14"
100-06	316-465B	WINDOW ASSY, TOP (NO PRINTING)
	316-446A	WINDOW FILTER, TOP 14"
100-08	120-C77A	SPEAKER F/RANGE 5W/12W 16OHM 127*57*46
	120-480B	SPEAKER C112PX-824K14 14" *NAGHE
Δ 200	2055-00670H *	CPT A51KPD12XX(+0.4G)
	2055-00744M *	CPT A34KPU02XX 00P7ND 14"
200-01	341-721A	HOLDER,D COIL (FOR AUTO.L=65)
200-02	332-057B	SCREW ASSY,HEXAGON HEAD
Δ 200-03	150-D02N *	COIL,DEGAUSSING,CU 21" 60T 12OHM
	150-D02B	COIL,DEGAUSSING,CU 14" 42T 5.7OHM
Δ 200-04	170-A01C	LEAD SET,CPT EARTH(19"/21")
	170-A01E *	LEAD SET,CPT EARTH 14"
200-05	341-721B	HOLDER,D-COIL (FOR AUTO.L=130)
300	6871VMM069H	PWB ASSY,MAIN (64A) 1FRHNPBRCS
	6871VMM164B	PWB ASSY,MAIN(64A) 1GESY 14"
300-01	341-783A	HOLDER,LED
301	303-F62A *	COVER,TUNER
Δ 302	174-174X	CORD ASSY,POWER(CHINA/L=200)
	174-315G	CORD,POWER,VDE L=160 14"
400	3809V00021B *	COVER ASSY,BACK
	303-J13P *	COVER ASSY,BACK(PHONF), 14"
400-01	1PPF0403116	SCREW,PAN HEAD D4 L16
500	105-230M	REMOTE CONTROL I FR MC-64A.W/O TXT,LG

The parts which are marked with "*" are Local parts.

EXPLODED VIEW : CF-21D70R



EXPLODED VIEW PARTS LIST

The components identified by shading and mark Δ are critical for safety.
Replace only with part number specified.

LOCA. NO	PART NO	DESCRIPTIONS
100	300-D33M	CABINET ASSY KCF21D70R RPLRS2 (W/AV)
100-01	316-575A	WINDOW, TOP
100-02	314-463A	GRILL, SPEAKER(L)
100-03	441-707A	BUTTON, POWER
100-04	320-062E	SPRING, KNOB
100-05	316-574D	WINDOW ASSY, CONTROL, 26SYS
100-06	441-706A	BUTTON, CONTROL
100-07	314-464A	GRILL, SPEAKER(R)
101	120-487A	SPEAKER C112P01-496K14 (16 OHM)
102	343-B52A	SUPPORTER, PCB
Δ 200 *	2055-00670H	CPT A51KPD12XX (H)
200-01	341-721A	HOLDER, D-COIL (FOR AUTO.L=65)
200-02	332-057B	SCREW ASSY, HEXAGON HEAD
Δ 200-03 *	150-D02N	COIL, DEGAUSSING, CU 21" 60T 12OHM
Δ 200-04	170-A01C	LEAD SET, CPT EARTH(19"/21")
200-05	341-721B	HOLDER, D-COIL (FOR AUTO.L=130)
300	6871VMM069H	PWB ASSY, MAIN (64A) 1FRHNPBRCS
300-01	341-783A	HOLDER, LED
301	303-F62A	COVER, TUNER
Δ 302	174-174X	CORD ASSY, POWER(CHINA/L=200)
400	303-M33C	COVER ASSY, BACK(CKD, IN-OUT)
400-01	1PPF0403116	SCREW, PAN HEAD D4 L16
500	105-230M	REMOTE CONTROLLER MC 64A, W/O TXT.LG

The parts which are marked with "*" are Local parts.

The components identified by shading and mark Δ are critical for safety. Replace only with part number specified.

REPLACEMENT PARTS LIST

LOCA. NO	PART NO	DESCRIPTION
ICs		
IC01	0IGS863418B	IC,LG8634-18B GMS84512 *LANG.CHINA
"	0IGS863415E	IC,LG8634-15F *1 LANG.ARAB,LGESY
IC02	0IAL240210A	IC,AT24C02-10PC 8D EEPROM(2K,IC)
IC03	0IKE704200B	IC,KIA7042P 3P 4.2V RESET
IC201	0ISA722200A	IC,LA7222 (1280 AUDIO)
IC301	0ISA783300A	IC,LA7833 7SIP V/OUT 2.2A(P-P)
IC401	0IKE781200C	IC,KIA7812P 3P(TO-220IS) 12V.1A
IC430	0IKE780800A	IC,KIA7808PI 3P(TO-220IS) 1A.8V
IC501	0IPH836255B	IC,TDA8362B:N5 52SD P:N:S 1CHIP
IC502	0IPH466500B	IC,TDA4665-V4 16D 1H D/I (TAIWAN)
IC503	0IPH839520A	IC,TDA8395P:N2 16D SFCAM DETECT
IC601	0ISG200600A	IC,TDA2006.SOUND
Δ IC801	0ITF435000A	IC,4N35(G)V 6D PHOTO COUPLER
Δ IC802	0ISK570700A	IC,STR/S5707(LF.953) 9P SMPS-CNTR
IC840	0IKE780500K	IC,KIA7805PI 3P(TO-220IS) 5V.1A
DIODES		
Δ DB813	0DD260000BD	DIODE BRIDGE D2SBA60 SHINDENKEN
D001	0DD414809ED	DIODE DS4148
D101	0DD414809ED	DIODE DS4148
D102	0DD859009AA	DIODE SILICON MA859 TAPING
D301	0DD400509AA	DIODE 1N4005 GP
D401	0DD414809FD	DIODE DS4148
D406	0DD060009AC	DIODE TVR06J 0.6A/600V 250NS
D408	0DD414809FD	DIODE DS4148
D410	0DD060009AC	DIODE TVR06J 0.6A/600V 250NS
D411	0DD150009CA	DIODE RGP15J
D413	0DD060009AC	DIODE TVR06J 0.6A/600V 250NS
D415	0DD414809FD	DIODE DS4148
D418	0DD414809FD	DIODE DS4148
D501	0DD414809ED	DIODE DS4148
D601	0DD414809FD	DIODE DS4148
D650	0DD859009AA	DIODE SILICON MA859 TAPING
D651	0DD859009AA	DIODE SILICON MA859 TAPING
D801(14)	0DD150009CA	DIODE RGP15J
D801	0DD360009AA	DIODE BYW36 1P(2A/600V)
D805	0DD060009AC	DIODE TVR06J 0.6A/600V 250NS
D806	0DD560009AA	DIODE BYT56M TEMIC 1P TEMIC
D809	0DD100009AM	DIODE EU1ZV
D810	0DD100009AM	DIODE EU1ZV
D811	0DD060009AC	DIODE TVR06J 0.6A/600V 250NS
D812	0DD060009AC	DIODE TVR06J 0.6A/600V 250NS
D901	0DD414809ED	DIODE DS4148
D902	0DD414809ED	DIODE DS4148
D903	0DD414809ED	DIODE DS4148
D930	0DD400309AD	DIODE IN4003A
LD01	0DD0000000BA	DIODE 1 AMP(DIFFUSION TYPE)
ZD01	0DZ750009AA	DIODE ZENER MTZ7.5B
ZD02	0DZ750009AA	DIODE ZENER MTZ7.5B
ZD03	0DZ750009AA	DIODE ZENER MTZ7.5B
ZD401	0DZ910009BA	DIODE ZENER MTZ9.1B

LOCA. NO	PART NO	DESCRIPTION
ZD402	0DZ510009AB	DIODE ZENER MTZ5.1B
ZD404	0DZ330009BA	DIODE ZENER HZT33
ZD551	0DZ510009AB	DIODE ZENER MTZ5.1B
ZD801	0DZ910009BA	DIODE ZENER MTZ9.1B
ZD810	0DZ750009AA	DIODE ZENER MTZ7.5B
TRANSISTORS		
Q01	0TR126609AA	TRANSISTOR KTA1266-TP-Y (KTA1015)
Q02	0TR319809AA	TRANSISTOR KTC3198-TP-Y (KTC1815)
Q101	0TR319809AB	TRANSISTOR KTC3198 TP GR (KTC1815)
Q102	0TR319709AB	TRANSISTOR KTC3197,TP(KTC388A)
Q103	0TR319809AA	TRANSISTOR KTC3198-TP-Y (KTC1815)
Q180	0TR126609AA	TRANSISTOR KTA1266-TP-Y (KTA1015)
Q181	0TR126609AA	TRANSISTOR KTA1266-TP-Y (KTA1015)
Q182	0TR126609AA	TRANSISTOR KTA1266-TP-Y (KTA1015)
Q201	0TR126609AA	TRANSISTOR KTA1266-TP-Y (KTA1015)
Q202	0TR319809AA	TRANSISTOR KTC3198-TP-Y (KTC1815)
Q220	0TR319809AA	TRANSISTOR KTC3198-TP-Y (KTC1815)
Q301	0TR319809AA	TRANSISTOR KTC3198-TP-Y (KTC1815)
Q302	0TR319809AA	TRANSISTOR KTC3198-TP-Y (KTC1815)
Q303	0TR319809AA	TRANSISTOR KTC3198-TP-Y (KTC1815)
Q401	0TR102609AA	TRANSISTOR KTC1026-Y TP(KTC2230A)
Δ Q402	0TR525000AA	TRANSISTOR 2SC5250 TO-3PFM
Q503	0TR126609AA	TRANSISTOR KTA1266-TP-Y (KTA1015)
Q504	0TR319809AA	TRANSISTOR KTC3198-TP-Y (KTC1815)
Q505	0TR126609AA	TRANSISTOR KTA1266-TP-Y (KTA1015)
Q506	0TR319809AA	TRANSISTOR KTC3198-TP-Y (KTC1815)
Q508	0TR102009AB	TRANSISTOR KRC102M,TP(KRC1202)
Q512	0TR126609AA	TRANSISTOR KTA1266-TP-Y (KTA1015)
Q513	0TR126609AA	TRANSISTOR KTA1266-TP-Y (KTA1015)
Q514	0TR126609AA	TRANSISTOR KTA1266-TP-Y (KTA1015)
Q515	0TR319809AA	TRANSISTOR KTC3198-TP-Y (KTC1815)
Q516	0TR319809AA	TRANSISTOR KTC3198-TP-Y (KTC1815)
Q517	0TR126609AA	TRANSISTOR KTA1266-TP-Y (KTA1015)
Q601	0TR102009AB	TRANSISTOR KRC102M,TP(KRC1202)
Q650	0TR319809AA	TRANSISTOR KTC3198 TP-Y (KTC1815)
Q651	0TR319809AA	TRANSISTOR KTC3198-TP-Y (KTC1815)
Q652	0TR319809AA	TRANSISTOR KTC3198 TP-Y (KTC1815)
Q653	0TR319809AA	TRANSISTOR KTC3198 TP-Y (KTC1815)
Q654	0TR319809AA	TRANSISTOR KTC3198 TP-Y (KTC1815)
Q802	0TR320209AA	TRANSISTOR KTC3202 TP-Y (KTC1959)
Q803	0TR319809AB	TRANSISTOR KTC3198 TP GR (KTC1815)
Q804	0TR319809AA	TRANSISTOR KTC3198 TP-Y (KTC1815)
Q810	0TR102609AA	TRANSISTOR KTC1026 Y 1P(KTC2230A)
Q901	0TR322900AA	TRANSISTOR KTC3229 (KTC2068)
Q902	0TR322900AA	TRANSISTOR KTC3229 (KTC2068)
Q903	0TR322900AA	TRANSISTOR KTC3229 (KTC2068)
CAPACITORS		
C01	0CN1030F679	C.TUBULA(HIGH DIELE) 0.01MF 16V M
C02	0CN4710K519	C.TUBULA(HIGH DIELE) 470PF 50V K
C03	0CN3910K519	C.TUBULA(HIGH DIELE) 390P 50V K
C04	0CQ4731N509	C,POLYESTER(MYLAR) 0.047U 100V K

The components identified by shading and mark **▲** are critical for safety.
Replace only with part number specified.

LOCA. NO	PART NO	DESCRIPTION	LOCA. NO	PART NO	DESCRIPTION
C05	0CN1010K519	C.TUBULA(HIGH DIELE) 100PF 50V K	C3'4	0CE108DH618	C.ELECTROLYTIC 1000UF STD 25V M
C06	0CN2710K519	C.TUBULA(HIGH DIELE) 270PF 50V K	C402	0CQ'531N509	C.POLYESTER(MYLAR) 0.015MF 100V K
C08	0CC2200K415	C.CERAMIC(TEMP COMP) 22P 50V J	C403	0CE227DF618	C.ELECTROLYTIC 220UF STD 16V M
C09	0CC2200K415	C.CERAMIC(TEMP COMP) 22P 50V J	C404	0CE225DK618	C.ELECTROLYTIC 2.2UF STD 50V M
C10	0CC1500K415	C.CERAMIC(TEMP COMP) 15P 50V J	C407	0CE475BP618	C.ELECTROLYTIC 4.7U KME(RG) 160V
C103	0CQ1041N509	C.POLYESTER(MYLAR) 0.1MF 100V L	C408	0CE105DP618	C.ELECTROLYTIC 1UF STD 160V M
C11	0CC1300K115	C.CERAMIC(TEMP COMP) 10PF 50V D	C409	0CQ2231N509	C.POLYESTER(MYLAR) 0.022MF 100V K
C110	0CE226DF618	C.ELECTROLYTIC 22UF STD 16V M	"(14")	0CQ3931N509	C.POLYESTER 0.0390UF 100V K
C111	0CN1030F679	C.TUBULA(HIGH DIELE) 0.01MF 16V M	C41'	0CK4710W515	C.CERAMIC(HIGH DIELE) 470PF 500V K
C112	0CN1030F679	C.TUBULA(HIGH DIELE) 0.01MF 16V M	C412	0CF108DJ618	C.ELECTROLYTIC 1000UF STD 35V M
C113	0CN1030F679	C.TUBULA(HIGH DIELE) 0.01MF 16V M	C413	0CK4710W515	C.CERAMIC(HIGH DIELE) 470PF 500V K
C12	0CN1030F679	C.TUBULA(HIGH DIELE) 0.01MF 16V M	C414	0CE337DH618	C.ELECTROLYTIC 330UF STD 25V M
C13	0CE335DK618	C.ELECTROLYTIC 3.3UF STD 50V M	C416	0CE475DK618	C.ELECTROLYTIC 4.7UF STD 50V M
C14	0CE475DK618	C.ELECTROLYTIC 4.7UF STD 50V M	C418	0CE1061R618	C.ELECTROLYTIC 10M SM 250V M
C16	0CN1030F679	C.TUBULA(HIGH DIELE) 0.01MF 16V M	C419	0CK4710W515	C.CERAMIC(HIGH DIELE) 470PF 500V K
C17	0CQ1041N509	C.POLYESTER(MYLAR) 0.1MF 100V L	▲ C420	181-013E	CAPACITOR MPP 200V 0.47uF J
C18	0CE107DD618	C.ELECTROLYTIC 100UF STD 10V M	▲ "(14")	181-013H	CAPACITOR MPP 200V 0.62uF J
C180	0CN1040K949	C.TUBULA(HIGH DIELE) 0.1M 50V Z	▲ C421	181-015J	C.MPP 1600V 0.0086uF H
C181	0CE475DK618	C.ELECTROLYTIC 4.7UF STD 50V M	▲ "	181-015E	C.MPP 1600V 0.0086uF H
C182	0CE475DK618	C.ELECTROLYTIC 4.7UF STD 50V M	C422	181-009V	CAPACITOR PP 200V 0.047UF K
C183	0CQ1041N509	C.POLYESTER(MYLAR) 0.1MF 100V L	C430	0CE227DD618	C.ELECTROLYTIC 220UF STD 10V M
C184	0CQ1042K439	C.POLYESTER(MYLAR) 0.1UF S 50V J	C501	0CQ2721N409	C.POLYESTER(MYLAR) 2700PF 100V J
C185	0CE475DK618	C.ELECTROLYTIC 4.7UF STD 50V M	C502	0CX1000K409	C.TUBULA(T.C) 10P 50V J
C186	0CE106DF618	C.ELECTROLYTIC 10UF STD 16V M	C503	0CN1030F679	C.TUBULA(HIGH DIELE) 0.01MF 16V M
C187	0CE337DF618	C.ELECTROLYTIC 330UF STD 16V M	C505	0CE106DF618	C.ELECTROLYTIC 10UF STD 16V M
C188	0CE107DF618	C.ELECTROLYTIC 100UF STD 16V M	C507	0CN1040K949	C.TUBULA(HIGH DIELE) 0.1M 50V Z
C189	0CN1030F679	C.TUBULA(HIGH DIELE) 0.01MF 16V M	C508	0CN2230H949	C.TUBULA(HIGH DIELE) 22000P 25V Z F
C19	0CE227DD618	C.ELECTROLYTIC 220UF STD 10V M	C509	0CE107DF618	C.ELECTROLYTIC 100UF STD 16V M
C20	0CN2210K519	C.TUBULA(HIGH DIELE) 220PF 50V K	C510	181-4427	C.POLYESTER(MYLAR) 0.1MF 50V K
C203	0CE227DF618	C.ELECTROLYTIC 220UF STD 16V M	C511	0CQ1041N509	C.POLYESTER(MYLAR) 0.1MF 100V L
C21	0CN1010K519	C.TUBULA(HIGH DIELE) 100PF 50V K	C512	0CE106DF618	C.ELECTROLYTIC 10UF STD 16V M
C218	0CE227DD618	C.ELECTROLYTIC 220UF STD 10V M	C513	0CQ1042K439	C.POLYESTER(MYLAR) 0.1UF S 50V J
C219	0CE226DF618	C.ELECTROLYTIC 22UF STD 16V M	C514	0CE476DF618	C.ELECTROLYTIC 47UF STD 16V M
C22	0CN1010K519	C.TUBULA(HIGH DIELE) 100PF 50V K	C515	181-442Z	C.POLYESTER(MYLAR) 0.1MF 50V K
C220	0CE106DF618	C.ELECTROLYTIC 10UF STD 16V M	C516	0CQ1041N509	C.POLYESTER(MYLAR) 0.1MF 100V L
C221	0CE106DF618	C.ELECTROLYTIC 10UF STD 16V M	C517	0CQ1041N509	C.POLYESTER(MYLAR) 0.1MF 100V L
C222	0CN1030F679	C.TUBULA(HIGH DIELE) 0.01MF 16V M	C518	0CE476DF618	C.ELECTROLYTIC 47UF STD 16V M
C223	0CE107DF618	C.ELECTROLYTIC 100UF STD 16V M	C519	0CE336DF618	C.ELECTROLYTIC 33UF STD 16V M
C224	0CE106DF618	C.ELECTROLYTIC 10UF STD 16V M	C520	0CE475DK618	C.ELECTROLYTIC 4.7UF STD 50V M
C226	0CE106DF618	C.ELECTROLYTIC 10UF STD 16V M	C521	0CQ4721N509	C.POLYESTER(MYLAR) 0.0047U 100V K
C227	0CQ1021N509	C.POLYESTER(MYLAR) 0.001U 100V K	C522	0CQ1041N509	C.POLYESTER(MYLAR) 0.1MF 100V L
C228	0CE107DD618	C.ELECTROLYTIC 100UF STD 10V M	C523	0CC1300K415	C.CERAMIC(TEMP COMP) 13P 50V J
C23	0CN1010K519	C.TUBULA(HIGH DIELE) 100PF 50V K	C524	0CC1300K415	C.CERAMIC(TEMP COMP) 13P 50V J
C301	0CN3310K519	C.TUBULA(HIGH DIELE) 330P 50V K	C525	0CN2230H949	C.TUBULA(HIGH DIELE) 22000P 25V Z F
C303	0CC5600K415	C.CERAMIC(TEMP COMP) 56P 50V J	C526	0CE476DF618	C.ELECTROLYTIC 47UF STD 16V M
C304	0CQ1021N509	C.POLYESTER(MYLAR) 0.001U 100V K	C527	0CQ4721N509	C.POLYESTER(MYLAR) 0.0047U 100V K
C305	0CE227DJ618	C.ELECTROLYTIC 220UF STD 35V M	C528	0CE105DK618	C.ELECTROLYTIC 1UF STD 50V M
C306	0CQ6831N509	C.POLYESTER(MYLAR) 0.068U 100V K	C529	0CQ4721N509	C.POLYESTER(MYLAR) 0.0047U 100V K
C308	181-0322	C.TANTAL 2.2MF 25V K	C530	181-442Z	C.POLYESTER(MYLAR) 0.1MF 50V K
C310	0CQ1041N509	C.POLYESTER(MYLAR) 0.1MF 100V L	C531	0CN1030F679	C.TUBULA(HIGH DIELE) 0.01MF 16V M
C311	0CE476DF618	C.ELECTROLYTIC 47UF STD 16V M	C532	0CQ2231N509	C.POLYESTER(MYLAR) 0.022MF 100V K
C312	0CQ1041N509	C.POLYESTER(MYLAR) 0.1MF 100V L	C533	0CE225DK618	C.ELECTROLYTIC 2.2UF STD 50V M

The components identified by shading and mark **▲** are critical for safety.
Replace only with part number specified.

LOCA. NO	PART NO	DESCRIPTION
C534	181-442Z	C.POLYESTER(MYLAR) 0.1MF 50V K
C535	0CE106DF618	C.ELECTROLYTIC 10UF STD 16V M
C536	0CE106DF618	C.ELECTROLYTIC 10UF STD 16V M
C537	0CN2230H949	C.TUBULA(HIGH DIELE) 22000P 25V 7 F
C538	0CE225DK618	C.ELECTROLYTIC 2.2UF STD 50V M
C539	0CQ3321N509	C.POLYESTER(MYLAR) 0.0033U 100V K
C551	0CE476DF618	C.ELECTROLYTIC 47UF STD 16V M
C552	0CN2230H949	C.TUBULA(HIGH DIELE) 22000P 25V 7 F
C553	181-442Z	C.POLYESTER(MYLAR) 0.1MF 50V K
C554	181-442Z	C.POLYESTER(MYLAR) 0.1MF 50V K
C555	0CQ1021N509	C.POLYESTER(MYLAR) 0.001U 100V K
C556	0CQ1021N509	C.POLYESTER(MYLAR) 0.001U 100V K
C557	0CN2230H949	C.TUBULA(HIGH DIELE) 22000P 25V Z F
C561	0CE476DF618	C.ELECTROLYTIC 47UF STD 16V M
C562	0CQ2231N509	C.POLYESTER(MYLAR) 0.022MF 100V K
C563	0CQ1041N509	C.POLYESTER(MYLAR) 0.1MF 100V L
C564	0CQ2242L439	C.POLYESTER(MYLAR) 0.22UF S 63V J
C601	0CE108DJ618	C.ELECTROLYTIC 1000UF STD 35V M
C602	0CQ1031N509	C.POLYESTER(MYLAR) 0.01U 100V K
C603	0CE477DF618	C.ELECTROLYTIC 470UF STD 16V M
C604	181-442Z	C.POLYESTER(MYLAR) 0.1MF 50V K
C605	0CE225DK618	C.ELECTROLYTIC 2.2UF STD 50V M
C606	0CE336DK618	C.ELECTROLYTIC 33UF STD 50V M
C607	0CQ1031N509	C.POLYESTER(MYLAR) 0.01U 100V K
C608	0CE475DK618	C.ELECTROLYTIC 4.7UF STD 50V M
C609	0CE475DK618	C.ELECTROLYTIC 4.7UF STD 50V M
C610	0CE226DK618	C.ELECTROLYTIC 22UF STD 50V M
C650	0CN1020K519	C.TUBULA(HIGH DIELE) 1000PF 50V K
C651	0CN1510K519	C.TUBULA(HIGH DIELE) 150P 50V K
C652	0CN1030F679	C.TUBULA(HIGH DIELE) 0.01MF 16V M
C653	0CC3910K405	C.CERAMIC(FEMP COMP) 390P 50V J
C654	0CQ3321N509	C.POLYESTER(MYLAR) 0.0033U 100V K
C655	0CX2200K409	C.TUBULA(T.C) 22PF 50V J
C656	0CQ1042K439	C.POLYESTER(MYLAR) 0.1UF S 50V J
C657	0CN1030F679	C.TUBULA(HIGH DIELE) 0.01MF 16V M
C658	0CN1020K519	C.TUBULA(HIGH DIELE) 1000PF 50V K
C659	0CX4700K409	C.TUBULA(T.C) 47PF 50V J
C660	0CN1030F679	C.TUBULA(HIGH DIELE) 0.01MF 16V M
C661	0CN1510K519	C.TUBULA(HIGH DIELE) 150P 50V K
C662	0CX4700K409	C.TUBULA(T.C) 47PF 50V J
C663	0CX3300K409	C.TUBULA(T.C) 33PF 50V J
C664	0CN1030F679	C.TUBULA(HIGH DIELE) 0.01MF 16V M
C665	0CX5600K409	C.TUBULA(T.C) 56P 50V J
C666	0CN1030F679	C.TUBULA(HIGH DIELE) 0.01MF 16V M
C667	0CX4700K409	C.TUBULA(T.C) 47PF 50V J
C804	0CK4710W515	C.CERAMIC(HIGH DIELE) 470PF 500V K
C805	0CE477DJ618	C.ELECTROLYTIC 470UF STD 35V M
▲ C810	181-120E	C.ACT 4KV E 222M FL10
C811	0CE475DK618	C.ELECTROLYTIC 4.7UF STD 50V M
C812	0CK4710W515	C.CERAMIC(HIGH DIELE) 470PF 500V K
C813	181 091C	C.DE0705 R 471K 1KV
C814	0CE227DP650	C.ELECTROLYTIC 220UF STD 160V M

LOCA. NO	PART NO	DESCRIPTION
C817	181-001V	C.AL ELECTROLYTIC R 471K 1KV
C818	0CK47102515	C.CERAMIC(HIGH DIELE) 470P 2KV K
C819	0CK4710W515	C.CERAMIC(HIGH DIELE) 470PF 500V K
C820	0CE227DJ618	C.ELECTROLYTIC 220UF STD 35V M
▲ C822	0CQZVBK002B	CAPACITOR,POLYESTER A.C 275V 0.15UF K
C823	0CN1020K519	C.TUBULA(HIGH DIELE) 1000PF 50V K
C824	0CE475DK618	C.ELECTROLYTIC 4.7UF STD 50V M
C825	0CE227DJ618	C.ELECTROLYTIC 220UF STD 35V M
C826	181-120E	C.ACT 4KV E 222M FL10
C827	0CE1071P650	C.ELECTROLYTIC 100M SM 160V M
▲ C828	0CQZVBK002B	CAPACITOR,POLYESTER A.C 275V 0.15UF K
C830	0CE477DF618	C.ELECTROLYTIC 470UF STD 16V M
C832	0CK10201515	C.CERAMIC(HIGH DIELE) 1000P 1KV K
C833	0CK10201515	C.CERAMIC(HIGH DIELE) 1000P 1KV K
C834	0CK10201515	C.CERAMIC(HIGH DIELE) 1000P 1KV K
C835	0CK10201515	C.CERAMIC(HIGH DIELE) 1000P 1KV K
C840	0CE227DD618	C.ELECTROLYTIC 220UF STD 10V M
C841	0CN1030F679	C.TUBULA(HIGH DIELE) 0.01MF 16V M
C901	0CN2710K519	C.TUBULA(HIGH DIELE) 270P 50V K
C902	0CN2710K519	C.TUBULA(HIGH DIELE) 270PF 50V K
C903	0CN2710K519	C.TUBULA 270PF 50V K
"14")	0CN3310K519	C.TUBULA(HIGH DIELE) 330P 50V K
C904	0CE476DF618	C.ELECTROLYTIC 47UF STD 16V M
C905	181-033S	CAPACITOR 2KV B 122K TP7.5
C906	0CN1810K519	C.TUBULA(HIGH DIELE) 180PF 50V K
C930	0CE225DR618	C.ELECTROLYTIC 2.2UF STD 250V M

COILS & TRANSFORMERS

J103	0LA0102K119	INDUCTOR 10UH K
J106	0LA0102K119	INDUCTOR 10UH K
J130	125-022K	CORE,FERRITE 1UH
I 01	0LA0392K119	INDUCTOR 39UH K
I 103	150-C01D	COIL,CHOKE 0.55UH A 1105
L181	0LA0331K119	INDUCTOR 3.3UH K 2.3*3.4 TP
L182	0LA0222K119	INDUCTOR 22UH K
▲ L402	150-L01W	COIL,H-LINEARITY 57UH
L403	125-022K	CORE,FERRITE 1UH
L501	0LA1000K119	INDUCTOR 100UH K
L503	0LA0561K119	INDUCTOR 5.6UH K
L504	0LA0331K119	INDUCTOR 3.3UH K 2.3*3.4 TP
L650	0LA0821K119	INDUCTOR 8.2UH K
L651	0LA0272K119	INDUCTOR 27UH K
L652	0LA0182K119	INDUCTOR 18UH K
L653	0LA0681K119	INDUCTOR 6.8UH K
L654	0LA0122K119	INDUCTOR 12UH K
L802	150-C02F	COIL,CHOKE 82UH R1217
L803	125-022K	CORE,FERRITE 1UH
L804	125-123A	CORE,FERRITE BFD3565R2F
L805	125-022K	CORE,FERRITE 1UH
L901	150-C02A	COIL,CHOKE 10UH R0814
1402	151-C02H	TRANSFORMER,H DRIVE,EI-19,BULK
▲ T801	150-F06N	COIL,LINE FILTER SQE2424 7MH

The components identified by shading and mark Δ are critical for safety.
Replace only with part number specified.

LOCA NO	PART NO	DESCRIPTION
Δ T802	151-B06L	TRANSFORMER,SMPS FOIL EER4215 STR-S5707 W
VL501	150-E08N	COIL,VAR,07S 1B 38.9MHZ

RESISTORS

Δ FR421	0RF0101J607	R,FUSIBLE 1 1W 5%
Δ FR422	0RF0470J607	R,FUSIBLE 0.47 1W 5%
Δ FR423	180-D02J	R,RNF RND(S) CR 2W 1.6 J
Δ "(14")	0RF0331K607	R,FUSIBLE 3.30 2W 5%
Δ FR804(14')	0RF0201K607	R,FUSIBLE 2W 5%
Δ FR804	180-D02C	R,FUSIBLE 0.47 2W 5%
Δ FR812	0RF0470H609	R,FUSIBLE 0.47 1/2W 5
J94	0RD1503F609	R,CARBON FILM 150K 1/6W 5
R02	0RD2702F609	R,CARBON FILM 27K 1/6W 5
R03	0RD9101F609	R,CARBON FILM 9.1K 1/6W 5
R04	0RD2200F609	R,CARBON FILM 220 1/6W 5
R05	0RD0912F609	R,CARBON FILM 91 1/6W 5
R06	0RD1001F609	R,CARBON FILM 1.0K 1/6W 5
R07	0RD3300F609	R,CARBON FILM 330 1/6W 5
R08	0RD4700F609	R,CARBON FILM 470 1/6W 5
R103	0RD1002F609	R,CARBON FILM 10K 1/6W 5
R105	0RD3302F609	R,CARBON FILM 33K 1/6W 5
R106	0RD1003F609	R,CARBON FILM 100K 1/6W 5
R107	0RD3302F609	R,CARBON FILM 33K 1/6W 5
R108	0RD2402F609	R,CARBON FILM 24K 1/6W 5
R11	0RD5601F609	R,CARBON FILM 5.6K 1/6W 5
R110	0RD1000F609	R,CARBON FILM 100 1/6W 5
R112	0RD2200F609	R,CARBON FILM 220 1/6W 5
R113	0RD5101F609	R,CARBON FILM 5.1K 1/6W 5
R114	0RD6800F609	R,CARBON FILM 680 1/6W 5
R116	0RD1200F609	R,CARBON FILM 120 1/6W 5
R117	0RD1001F609	R,CARBON FILM 1.0K 1/6W 5
R118	0RD0392F609	R,CARBON FILM 39 1/6W 5 *HYPER TUNER
	0RD0472F609	R,CARBON FILM 47 1/6W 5
R119	0RD6801F609	R,CARBON FILM 6.8K 1/6W 5
R12	0RD1001F609	R,CARBON FILM 1.0K 1/6W 5
R120	0RD2201F609	R,CARBON FILM 2.2K 1/6W 5
R121	0RD2201F609	R,CARBON FILM 2.2K 1/6W 5
R13	0RD1601F609	R,CARBON FILM 1.6K 1/6W 5
R14	0RD1201F609	R,CARBON FILM 1.2K 1/6W 5
R15	0RD2001F609	R,CARBON FILM 2.0K 1/6W 5
R16	0RD3901F609	R,CARBON FILM 3.9K 1/6W 5
R17	0RD2201F609	R,CARBON FILM 2.2K 1/6W 5
R18	0RD1001F609	R,CARBON FILM 1.0K 1/6W 5
R180	0RD4702F609	R,CARBON FILM 47K 1/6W 5
R181	0RD4702F609	R,CARBON FILM 47K 1/6W 5
R182	0RD4702F609	R,CARBON FILM 47K 1/6W 5
R183	0RD3302F609	R,CARBON FILM 33K 1/6W 5
R184	0RD9102F609	R,CARBON FILM 91K 1/6W 5 *HYPER TUNER
R185	0RD1003F609	R,CARBON FILM 100K 1/6W 5 *HYPER TLNER
R186	0RD1002F609	R,CARBON FILM 10K 1/6W 5
R187	0RD2402F609	R,CARBON FILM 24K 1/6W 5 *HYPER TLNER
"	0RD1802F609	R,CARBON FILM 18K 1/6W 5

LOCA NO	PART NO	DESCRIPTION
R188	0RD1202F609	R,CARBON FILM 12K 1/6W 5
R20	0RD8201F609	R,CARBON FILM 8.2K 1/6W 5
R201	0RD0752F609	R,CARBON FILM 75 1/6W 5
R203	0RD3300F609	R,CARBON FILM 330 1/6W 5
R204	0RD3300F609	R,CARBON FILM 330 1/6W 5
R205	0RD0822F609	R,CARBON FILM 82 1/6W 5
R21	0RD2702F609	R,CARBON FILM 27K 1/6W 5
R212	0RD2202F609	R,CARBON FILM 22K 1/6W 5
R217	0RD4700F609	R,CARBON FILM 470 1/6W 5
R218	0RD4700F609	R,CARBON FILM 470 1/6W 5
R220	0RD1001F609	R,CARBON FILM 1.0K 1/6W 5
R221	0RD1001F609	R,CARBON FILM 1.0K 1/6W 5
R224	0RD2001F609	R,CARBON FILM 2.0K 1/6W 5
R225	0RD4700F609	R,CARBON FILM 470 1/6W 5
R226	0RD1101F609	R,CARBON FILM 1.1K 1/6W 5
R227	0RD2001F609	R,CARBON FILM 2.0K 1/6W 5
R228	0RD0562F609	R,CARBON FILM 56 1/6W 5
R229	0RD3900F609	R,CARBON FILM 390 1/6W 5
R230	0RD3301F609	R,CARBON FILM 3.3K 1/6W 5
R231	0RD6801F609	R,CARBON FILM 6.8K 1/6W 5
R232	0RD2200F609	R,CARBON FILM 220 1/6W 5
R26	0RD1001F609	R,CARBON FILM 1.0K 1/6W 5
R27	0RD4701F609	R,CARBON FILM 47K 1/6W 5
R28	0RD2200F609	R,CARBON FILM 220 1/6W 5
R29	0RD6802F609	R,CARBON FILM 68K 1/6W 5
R30	0RD1001F609	R,CARBON FILM 1.0K 1/6W 5
R301	0RD6200F609	R,CARBON FILM 620 1/6W 5
R302	0RD8200H609	R,CARBON FILM 820 1/2W 5
R303	0RD9102F609	R,CARBON FILM 91K 1/6W 5
"(14")	0RD1203F609	R,CARBON FILM 120K 1/6W 5
R304	0RD3600F609	R,CARBON FILM 360 1/6W 5
"(14")	0RD0822F609	R,CARBON FILM 82 1/6W 5
R305	0RD4700F609	R,CARBON FILM 470 1/6W 5
R306	0RD3002F609	R,CARBON FILM 30K 1/6W 5
R307	0RN2402F409	R,METAL FILM 24K 1/6W 1% TA5P
R308	0RD8200F609	R,CARBON FILM 820 1/6W 5
"(14")	0RD6800F609	R,CARBON FILM 680 1/6W 5
R309	0RD1202F609	R,CARBON FILM 12K 1/6W 5
R31	0RD1201F609	R,CARBON FILM 1.2K 1/6W 5
R310	0RS3300J607	R,METAL FILM OXIDE 330 1W 5%
R311	0RD0221H609	R,CARBON FILM 2.2 1/2W 5
R312	0RD3902F609	R,CARBON FILM 39K 1/6W 5
R313	0RD4702F609	R,CARBON FILM 47K 1/6W 5
R314	0RD2002F609	R,CARBON FILM 20K 1/6W 5
R315	0RD4701H609	R,CARBON FILM 4.7K 1/2W 5
R316	0RD1002F609	R,CARBON FILM 10K 1/6W 5
R317	0RD0471H609	R,CARBON FILM 4.7 1/2W 5
R32	0RD3002F609	R,CARBON FILM 30K 1/6W 5
R33	0RD4702F609	R,CARBON FILM 47K 1/6W 5
R34	0RD1002F609	R,CARBON FILM 10K 1/6W 5
R35	0RD2200F609	R,CARBON FILM 220 1/6W 5
R36	0RD4701F609	R,CARBON FILM 4.7K 1/6W 5

LOCA. NO	PART NO	DESCRIPTION
R37	0RD4701F609	R,CARBON FILM 4.7K 1/6W 5
R38	0RD4701F609	R,CARBON FILM 4.7K 1/6W 5
R39	0RD3301F609	R,CARBON FILM 3.3K 1/6W 5
R40	0RD1002F609	R,CARBON FILM 10K 1/6W 5
R410	0RD3903H609	R,METAL FILM OXIDE 390K 1/2W 5 TA52
R411	180-B01W	R,RS RECT 5W 4.3K J DOUBLE
"(14")	180-B01U	R,RS RECT S 5W 4.7K J
R412	0RD1202F609	R,CARBON FILM 12K 1/6W 5
R413	0RS3901J607	R,METAL FILM OXIDE 3.90K 1W 5% TA62
R414	0RD2701H609	R,CARBON FILM 2.7K 1/2W 5
R416	0RD2702F609	R,CARBON FILM 27K 1/6W 5
R417	0RD1000F609	R,CARBON FILM 100 1/6W 5
R42	0RD4701F609	R,CARBON FILM 4.7K 1/6W 5
R421	0RS1802K607	R,METAL FILM OXIDE 18K 2W 5%
R422	0RD7502H609	R,CARBON FILM 75K 1/2W 5
"(14")	0RD1003H609	R,CARBON FILM 100K 1/2W 5
R423	0RD8202H609	R,CARBON FILM 82K 1/2W 5
"	0RD1003H609	R,CARBON FILM 100K 1/2W 5
R424	0RD1002F609	R,CARBON FILM 10K 1/6W 5
R425	0RS1002K607	R,METAL FILM OXIDE 10K 2W 5%
R426	0RD0392H609	R,CARBON FILM 39 1/2W 5
R430	0RS0681K607	R,METAL FILM OXIDE 6.8 2W 5%
R48	0RD1002F609	R,CARBON FILM 10K 1/6W 5
R49	0RD4701F609	R,CARBON FILM 4.7K 1/6W 5
R501	0RD1001F609	R,CARBON FILM 1.0K 1/6W 5
R502	0RD1002F609	R,CARBON FILM 10K 1/6W 5
R503	0RN3903F609	R,METAL FILM OXIDE 390K 1/6W 5% TA52
R504	0RD1000F609	R,CARBON FILM 100 1/6W 5
R505	0RD1501F609	R,CARBON FILM 1.5K 1/6W 5
R506	0RD3300F609	R,CARBON FILM 330 1/6W 5
R508	0RD1001F609	R,CARBON FILM 1.0K 1/6W 5
R509	0RD1001F609	R,CARBON FILM 1.0K 1/6W 5
R510	0RD1001F609	R,CARBON FILM 1.0K 1/6W 5
R511	0RD1001F609	R,CARBON FILM 1.0K 1/6W 5
R512	0RD1002F609	R,CARBON FILM 10K 1/6W 5
R513	0RD1500F609	R,CARBON FILM 150 1/6W 5
R514	0RD1001F609	R,CARBON FILM 1.0K 1/6W 5
R515	0RD4702F609	R,CARBON FILM 47K 1/6W 5
R516	0RD2002F609	R,CARBON FILM 20K 1/6W 5
R517	0RD2701F609	R,CARBON FILM 2.7K 1/6W 5
R518	0RD1201F609	R,CARBON FILM 1.2K 1/6W 5
R519	0RD1203F609	R,CARBON FILM 120K 1/6W 5
R520	0RD2403F609	R,CARBON FILM 240K 1/6W 5
R521	0RD2001F609	R,CARBON FILM 2.0K 1/6W 5
R522	0RD1202F609	R,CARBON FILM 12K 1/6W 5
R523	0RD1003F609	R,CARBON FILM 100K 1/6W 5
R524	0RD1002F609	R,CARBON FILM 10K 1/6W 5
R525	0RD1000F609	R,CARBON FILM 100 1/6W 5
R526	0RD1502F609	R,CARBON FILM 15K 1/6W 5
R527	0RD6203F609	R,CARBON FILM 620K 1/6W 5 TA52
R528	0RD1002F609	R,CARBON FILM 10K 1/6W 5
R529	0RD1002F609	R,CARBON FILM 10K 1/6W 5

LOCA. NO	PART NO	DESCRIPTION
R531	0RD4702F609	R,CARBON FILM 47K 1/6W 5
R532	0RD3001F609	R,CARBON FILM 3.0K 1/6W 5
R533	0RD1002F609	R,CARBON FILM 10K 1/6W 5
R535	0RD8200F609	R,CARBON FILM 820 1/6W 5
R536	0RD2002F609	R,CARBON FILM 20K 1/6W 5
R538	0RD7500F609	R,CARBON FILM 750 1/6W 5
"(14")	0RD4700F609	R,CARBON FILM 470 1/6W 5
R539	0RD1500F609	R,CARBON FILM 150 1/6W 5
R54	0RD1002F609	R,CARBON FILM 10K 1/6W 5
R540	0RD5600F609	R,CARBON FILM 560 1/6W 5
R541	0RD5600F609	R,CARBON FILM 560 1/6W 5
R542	0RD5600F609	R,CARBON FILM 560 1/6W 5
R543	0RD6803F609	R,CARBON FILM 680K 1/6W 5
R544	0RD2401F609	R,CARBON FILM 2.4K 1/6W 5
R545	0RD2401F609	R,CARBON FILM 2.4K 1/6W 5
R546	0RD2401F609	R,CARBON FILM 2.4K 1/6W 5
R547	0RD1000F609	R,CARBON FILM 100 1/6W 5
R548	0RD3301F609	R,CARBON FILM 3.3K 1/6W 5
R549	0RD2401F609	R,CARBON FILM 2.4K 1/6W 5
R551	0RD1200F609	R,CARBON FILM 120 1/6W 5
R56	0RD1000F609	R,CARBON FILM 100 1/6W 5
R561	0RD1003F609	R,CARBON FILM 100K 1/6W 5
R562	0RD1203F609	R,CARBON FILM 120K 1/6W 5
R57	0RD1002F609	R,CARBON FILM 10K 1/6W 5
R58	0RD1000F609	R,CARBON FILM 100 1/6W 5
R59	0RD1002F609	R,CARBON FILM 10K 1/6W 5
R60	0RD1002F609	R,CARBON FILM 10K 1/6W 5
R601	0RD1201F609	R,CARBON FILM 1.2K 1/6W 5
R602	0RD0221H609	R,CARBON FILM 2.2 1/2W 5
R603	0RD9102F609	R,CARBON FILM 91K 1/6W 5
R604	0RD1003F609	R,CARBON FILM 100K 1/6W 5
R605	0RD1003F609	R,CARBON FILM 100K 1/6W 5
R606	0RD6201F609	R,CARBON FILM 6.2K 1/6W 5
R607	0RD1003F609	R,CARBON FILM 100K 1/6W 5
R608	0RD1001F609	R,CARBON FILM 1.0K 1/6W 5
R609	0RD2001F609	R,CARBON FILM 2.0K 1/6W 5
R61	0RD1000F609	R,CARBON FILM 100 1/6W 5
R610	0RD8201F609	R,CARBON FILM 8.2K 1/6W 5
R611	0RD2001F609	R,CARBON FILM 2.0K 1/6W 5
R62	0RD1000F609	R,CARBON FILM 100 1/6W 5
R63	0RD1002F609	R,CARBON FILM 10K 1/6W 5
R64	0RD1000F609	R,CARBON FILM 100 1/6W 5
R65	0RD2001F609	R,CARBON FILM 2.0K 1/6W 5
R650	0RD1001F609	R,CARBON FILM 1.0K 1/6W 5
R651	0RD1001F609	R,CARBON FILM 1.0K 1/6W 5
R653	0RD6801F609	R,CARBON FILM 6.8K 1/6W 5
R654	0RD1501F609	R,CARBON FILM 1.5K 1/6W 5
R655	0RD0752F609	R,CARBON FILM 75 1/6W 5
R656	0RD8202F609	R,CARBON FILM 82K 1/6W 5
R657	0RD1003F609	R,CARBON FILM 100K 1/6W 5
R658	0RD1000F609	R,CARBON FILM 100 1/6W 5
R659	0RD1002F609	R,CARBON FILM 10K 1/6W 5

The components identified by shading and mark **△** are critical for safety. Replace only with part number specified.

LOCA. NO	PART NO	DESCRIPTION
R66	ORD2001F609	R,CARBON FILM 2.0K 1/6W 5
R660	ORD1002F609	R,CARBON FILM 10K 1/6W 5
R661	ORD1002F609	R,CARBON FILM 10K 1/6W 5
R662	ORD1002F609	R,CARBON FILM 10K 1/6W 5
R663	ORD4702F609	R,CARBON FILM 47K 1/6W 5
R665	ORD1501F609	R,CARBON FILM 1.5K 1/6W 5
R666	ORD8202F609	R,CARBON FILM 82K 1/6W 5
R668	ORD2400F609	R,CARBON FILM 240 1/6W 5
R669	ORD4700F609	R,CARBON FILM 470 1/6W 5
R67	ORD2001F609	R,CARBON FILM 2.0K 1/6W 5
R670	ORD3301F609	R,CARBON FILM 3.3K 1/6W 5
R671	ORD1500F609	R,CARBON FILM 150 1/6W 5
R672	ORD4700F609	R,CARBON FILM 470 1/6W 5
R673	ORD4700F609	R,CARBON FILM 470 1/6W 5
R674	ORD1501F609	R,CARBON FILM 1.5K 1/6W 5
R675	ORD1500F609	R,CARBON FILM 150 1/6W 5
R676	ORD9101F609	R,CARBON FILM 9.1K 1/6W 5
R677	ORD2200F609	R,CARBON FILM 220 1/6W 5
R68	ORD2001F609	R,CARBON FILM 2.0K 1/6W 5
R70	ORD1002F609	R,CARBON FILM 10K 1/6W 5
R71	ORD1002F609	R,CARBON FILM 100K 1/6W 5
R72	ORD1001F609	R,CARBON FILM 1.0K 1/6W 5
R73	ORD1202F609	R,CARBON FILM 12K 1/6W 5
R74	ORD1202F609	R,CARBON FILM 12K 1/6W 5
R75	ORD1202F609	R,CARBON FILM 12K 1/6W 5
R77	ORD2200F609	R,CARBON FILM 220 1/6W 5
R79	ORD1000F609	R,CARBON FILM 100 1/6W 5
R80	ORD1000F609	R,CARBON FILM 100 1/6W 5
R803	ORD3302F609	R,CARBON FILM 33K 1/6W 5
R804	ORD3302F609	R,CARBON FILM 33K 1/6W 5
R805	ORD2001F609	R,CARBON FILM 2.0K 1/6W 5
R806	ORD0102F609	R,CARBON FILM 10 1/6W 5
R81	ORD3301F609	R,CARBON FILM 3.3K 1/6W 5
△ R811	180-C02H	R,CARBON COMPOSIT C12GK825V(RC 1/2W 8.2M K)
R814	ORD9100F609	R,CARBON FILM 910 1/6W 5
R817	ORD3001H609	R,CARBON FILM 3.0K 1/2W 5 TA52
R818	ORD3902H609	R,CARBON FILM 39K 1/2W 5
R819	ORD1601F609	R,CARBON FILM 1.6K 1/6W 5
R82	ORD2200F609	R,CARBON FILM 220 1/6W 5
R820	ORD1001F609	R,CARBON FILM 1.0K 1/6W 5
R821	180-A03Q	R,RW RECT G 7W 1.0 J DOUBLE(SP)
R822	ORD1000H609	R,CARBON FILM 100 1/2W 5
R823	ORD5601H609	R,CARBON FILM 5.6K 1/2W 5
R824	ORS0182J607	R,METAL FILM OXIDE 18 1W 5% TA62
R825	180-A01E	R,RW ROUND G 2W 0.33 J
R827	ORS2202K607	R,METAL FILM OXIDE 22K 2W 5%
R828	ORN0680H609	R,METAL FILM 0.68 1/2W 5
R829	ORS2202K607	R,METAL FILM OXIDE 22K 2W 5%
R83	ORD1801F609	R,CARBON FILM 1.8K 1/6W 5
R830	ORS0152H609	R,METAL FILM OXIDE 15 1/2W 5
R84	ORD4701F609	R,CARBON FILM 4.7K 1/6W 5
R85	ORD4701F609	R,CARBON FILM 4.7K 1/6W 5

LOCA. NO	PART NO	DESCRIPTION
R86	ORD4701F609	R,CARBON FILM 4.7K 1/6W 5
R901	ORD1000F609	R,CARBON FILM 100 1/6W 5
R902	ORD1000F609	R,CARBON FILM 100 1/6W 5
R903	ORD1000F609	R,CARBON FILM 100 1/6W 5
R904	ORS1202K607	R,METAL FILM OXIDE 12K 2W 5%
"(14")	ORS1002K607	R,METAL FILM OXIDE 10K 2W 5%
R905	ORS1202K607	R,METAL FILM OXIDE 12K 2W 5%
"(14")	ORS1002K607	R,METAL FILM OXIDE 10K 2W 5%
R906	ORS1202K607	R,METAL FILM OXIDE 12K 2W 5%
"(14")	ORS1002K607	R,METAL FILM OXIDE 10K 2W 5%
R907	ORD2701H609	R,CARBON FILM 2.7K 1/2W 5
R908	ORD2701H609	R,CARBON FILM 2.7K 1/2W 5
R909	ORD2701H609	R,CARBON FILM 2.7K 1/2W 5
R910	ORD1801F609	R,CARBON FILM 1.8K 1/6W 5
R911	ORD1801F609	R,CARBON FILM 1.8K 1/6W 5
R912	ORD1801F609	R,CARBON FILM 1.8K 1/6W 5
R913	ORD3000F609	R,CARBON FILM 300 1/6W 5
R914	ORD3900F609	R,CARBON FILM 390 1/6W 5
R915	ORD3000F609	R,CARBON FILM 300 1/6W 5
R916	ORD1800F609	R,CARBON FILM 180 1/6W 5
R917	ORD1000F609	R,CARBON FILM 100 1/6W 5
R921	ORD0562F609	R,CARBON FILM 56 1/6W 5
R922	ORD0562F609	R,CARBON FILM 56 1/6W 5
R923	ORD0562F609	R,CARBON FILM 56 1/6W 5
R930	ORD1004H609	R,CARBON FILM 1M 1/2W 5
VR301	180-F03A	R,SEMI-FIX(H) EVN-DJAA03 B201
VR302	180-F03H	R,SEMI-FIX(H) EVN-DJAA03 B103
VR501	180-F03G	R,SEMI-FIX(H) EVN-DJAA03 B502
VR502	180-F03H	R,SEMI-FIX(H) EVN-DJAA03 B103
VR901	180-F03G	R,SEMI-FIX(H) EVN-DJAA03 B502
VR902	180-F03G	R,SEMI-FIX(H) EVN-DJAA03 B502
VR903	180-F03G	R,SEMI-FIX(H) EVN-DJAA03 B502
VR904	180-F03C	R,SEMI FIX(H) EVN-DJAA03 B501
VR905	180-F03C	R,SEMI FIX(H) EVN-DJAA03 B501
SWITCHES		
SW01	140-315A	SWITCH,TACT VERT
SW02	140-315A	SWITCH,TACT VERT
SW03	140-315A	SWITCH,TACT VERT
SW04	140-315A	SWITCH,TACT VERT
SW05	140-315A	SWITCH,TACT VERT
SW06	140-315A	SWITCH,TACT VERT
△ SW801	140-343A	SWITCH 70063-001(TV5/120A/250V)
FILTERS & OSCILLATORS		
X01	156-A01U	CRYSTAL 3.6 15PF 90 OHM BULK
X501	156-A01B	CRYSTAL 3.579545 16PF 90 OHM
X502	156-A01H	CRYSTAL 4.433619 16PF 80 OHM BULK
X650	166-E03A	FILTER RESO CSB500E25 500
Z101	166-A01M	FILTER 0FWK6265K(MONO)
Z501	166-C02B	FILTER TRAP TPS4.5MB-TF21
Z650	166-B02D	FILTER B.P FILTER SFSH6.0MCB-TF21

Parts are classified by shading and
 * * * * *
 * * * * *

The parts which are marked with " * " are
 Local parts.

LOCA. NO	PART NO	DESCRIPTION
Z651	166-B02A	FILTER B.P FILTER SFSH4.5MCB-TF21
Z652	166-B02E	FILTER B.P FILTER SFSH6.5MCB-TF21
Z653	166-B02D	FILTER B.P FILTER SFSH6.0MCB-TF21
Z654	166-B02C	FILTER B.P FILTER SFSH5.5MCB-TF21
Z655	166-C02C	FILTER TRAP TPS5.5MB-TF21
Z656	166-C02E	FILTER TRAP TPS6.5MB-TF21
Z657	166-C02D	FILTER TRAP TPS6.0MB-TF21
MISCELLANEOUS		
	* 132-204H	ANTENNA ASSY, ROD(STS.3SEC,F/L 650.BK)
	* 153-110F	DIY DOAR1*110F-21PSA
	* 153-113F	DIY DOAR2-14SNAB 14"
	341-242F	HOLDER,POWER CORD
	450-018C	ADAPTER ANT.(300 TO 75) PAL
F801	151-098B	FUSE 4A/250V HBC TIME DELAY 5X20
PA01	106-047F	PRE-AMP SBX1940-72(38.0KHZ)
PJ201	380-397A	JACK,PHONE 4P(AUDIO MONO) PJ
P901	381-226B	SOCKET,OPT PCS826-DYS/LESS BULK(NOS)
	* 381-100F	SOCKET,OPT 14"
TH801	163-012C	THERMISTOR J502P54E180M220
TU181	113-238H	TUNER TUKG4-C07M
	* 113-118J	TUNER TUGZ1-C07C
T401	01742-0004B	FET FT5P112-T8004B
VD801	164-003D	VARISTOR SVC 561D-14A