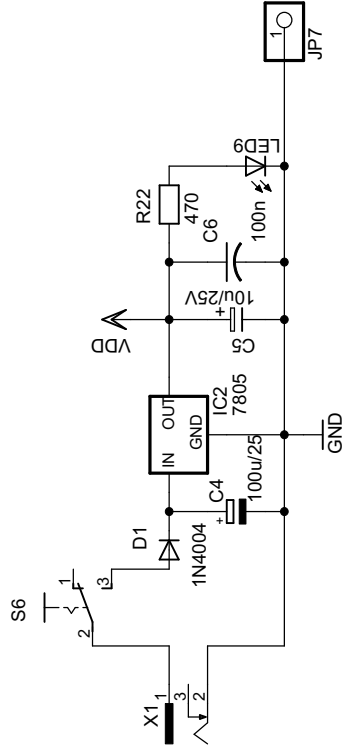
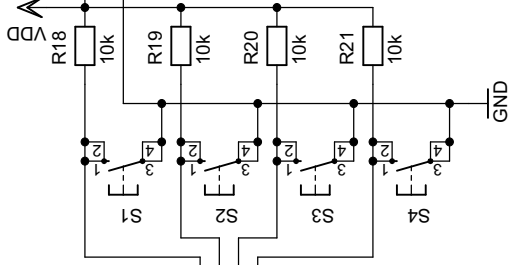


Display Type



DV Electronics

TITLE: 18PDEMOB

Document Number:
PIC16FXX 18pin Demo Board

REV:

Date: 04/04/2008 09:19:48 a.m.

Sheet: 1/1