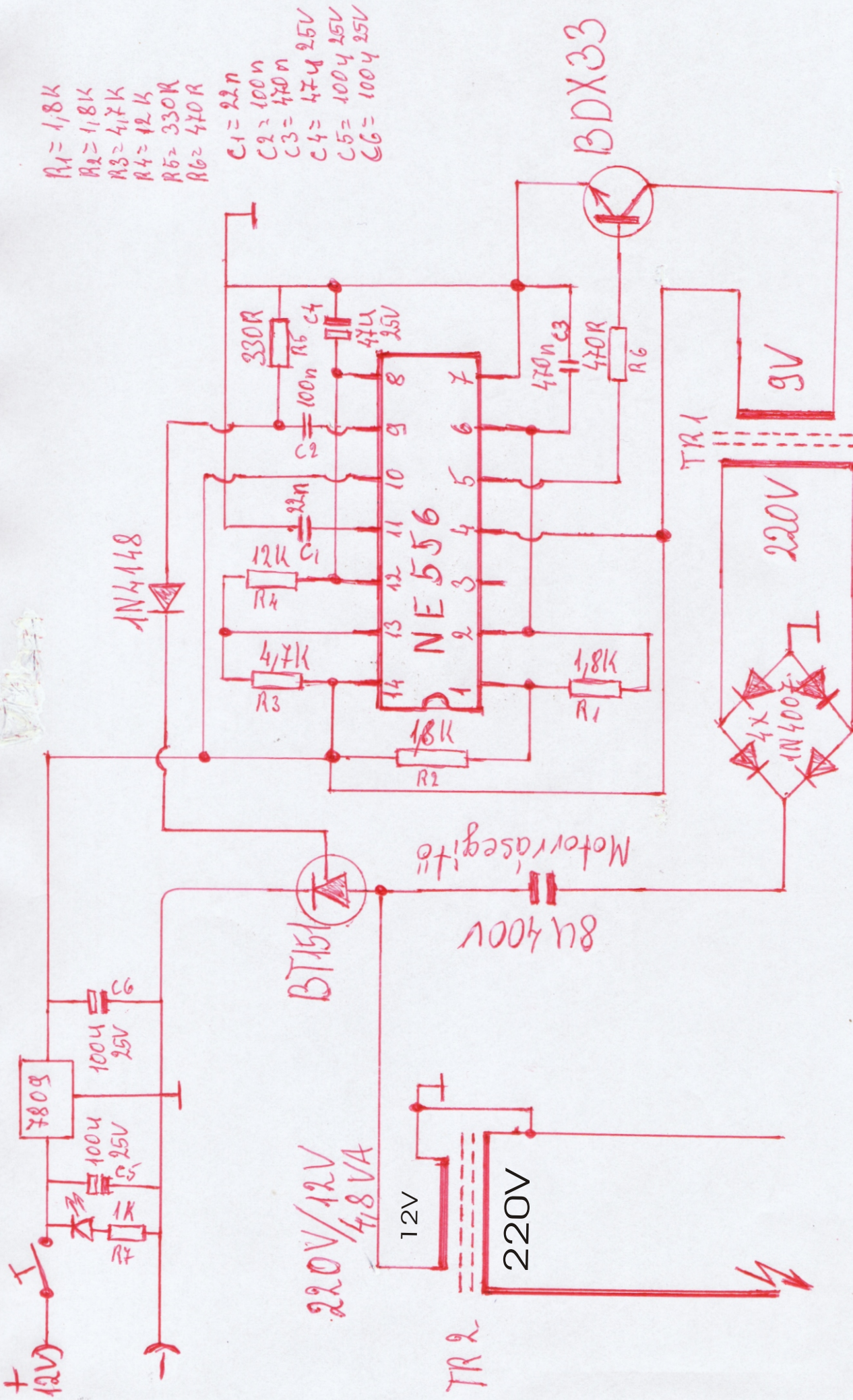


Villanypódsztor



- R1 = 1,8K
- R2 = 18K
- R3 = 4,7K
- R4 = 12K
- R5 = 330R
- R6 = 470R

- C1 = 22n
- C2 = 100n
- C3 = 470n
- C4 = 47u 25V
- C5 = 100u 25V
- C6 = 100u 25V

BDX33

220V/9V
1,8VA

220V/12V
4,8VA

TR2

TR1

Motorraségítő

8uF 400V

9V

220V

220V

12V

1N4148

BT151

NE555