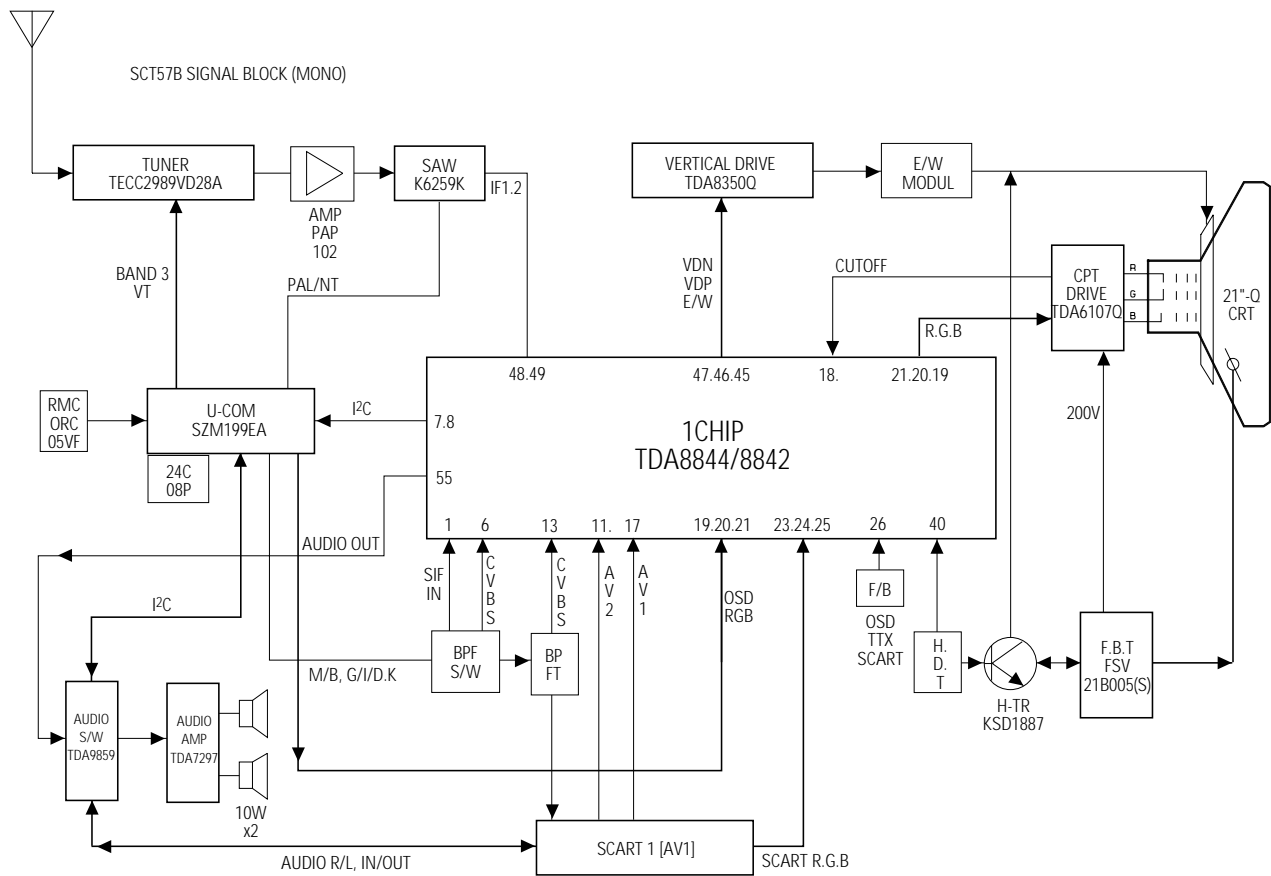


8. Block Diagram

8-1 Signal Block



8-2 Power Block

