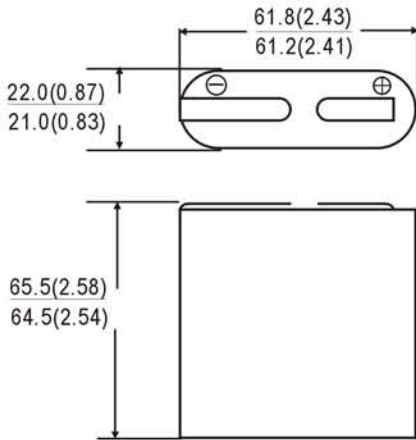


PLUS ALKALINE BATTERY

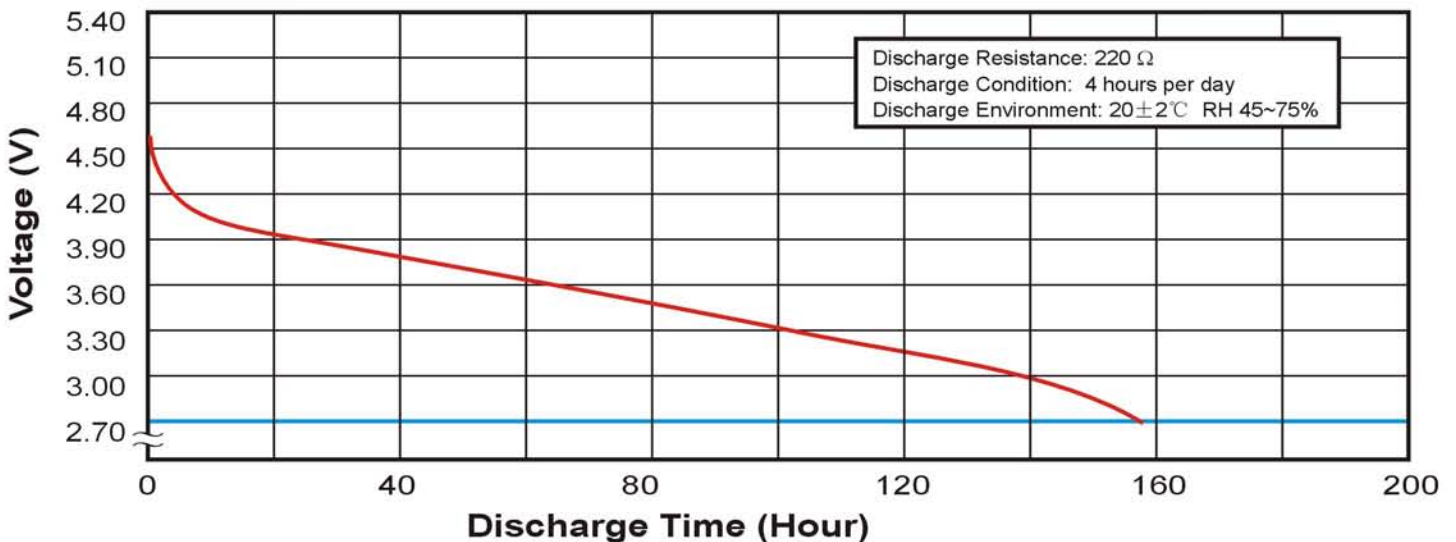
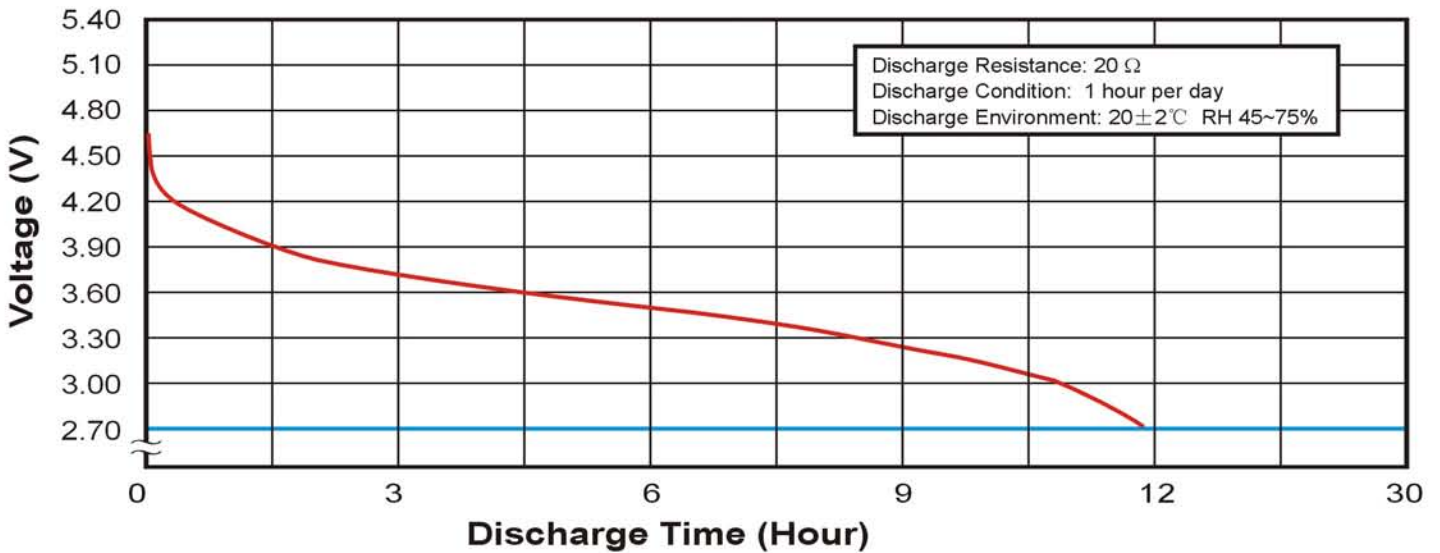
3LR12



Chemical System : Alkaline
 Zinc-Manganese Dioxide (Zn/MnO₂)
 CONRAD Art. Number : 650177
 IEC No. : 3LR12
 ANSI/NEDA No. : 3LR12
 Average Weight : 83.0g
 Dimension (L x W x H) : 61.5^{±0.3} x 21.5^{±0.5} x 65.0^{±0.5} mm
 2.42^{±0.01} x 0.85^{±0.02} x 2.56^{±0.02} inch

Terminals : Flat
 Nominal Voltage : 4.5Volts
 Average Capacity : 3000mAh to 2.7 volts
 (20 ± 2°C, Rated capacity at 25 mA continuous drain)
 Jacket : Paper Label

Unit: mm(inch)



Notice:

Environmental elements comply with RoHS requirements. This information is subject to change without prior notice and for reference only. It should not be used as a basis for a product guarantee or warranty. For additional information, please consult your nearest CONRAD Sales Office or Distributor or visit our website