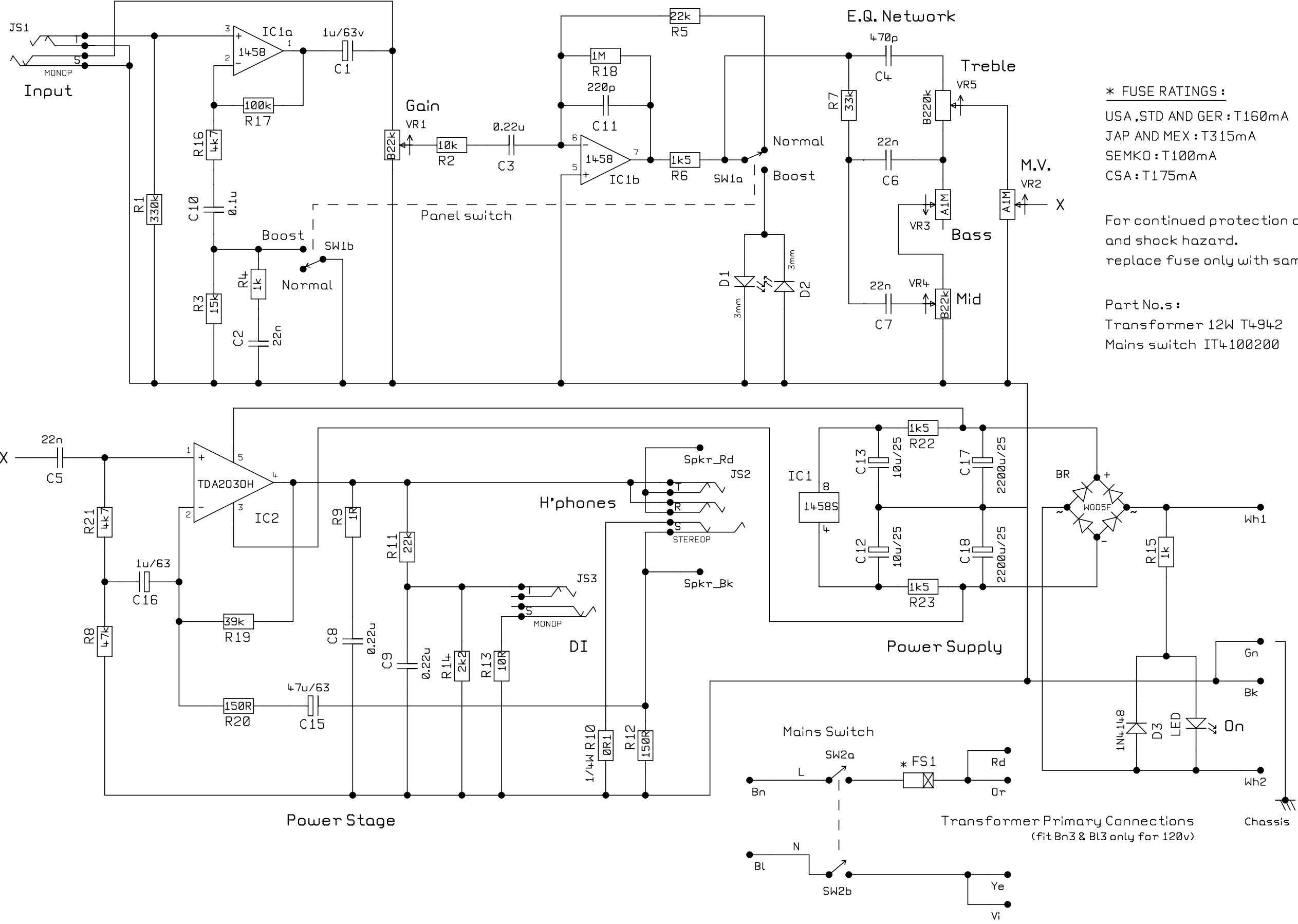
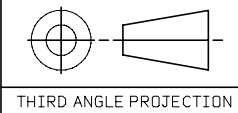


DWG.No. PC0629.DGM



*** FUSE RATINGS :**
 USA ,STD AND GER : T160mA
 JAP AND MEX : T315mA
 SEMKO : T100mA
 CSA : T175mA

For continued protection against fire and shock hazard. replace fuse only with same type and rating.

Part No.s :
 Transformer 12W T4942
 Mains switch IT4100200

5	0311	17/05/93
4	0193	02/04/92
3	0110,0121	16/12/91
ISS	ECO NUMBER	DATE

UNSPECIFIED HOLE DATA		
A	H	
B	J	
C	K	
D	L	
E	M	
F	N	
G	P	

MATERIAL	
MATERIAL THICKNESS	
INTERNAL BEND RADII	
EXTERNAL B/A	
BEND DIE	
DRAWN SKB	DATE 18/03/91
CHECKED	DATE
APPROVED	DATE

DIMENSIONS IN	
TOLERANCE (UNLESS OTHERWISE STATED)	
DIMENSIONAL	
CENTRES	
ANGULAR	
MODEL	
8001/8010	

Marshall

COPYRIGHT EXISTS ON THIS DOCUMENT. IT MUST NOT BE USED FOR ANY PURPOSE THAN THAT FOR WHICH IT IS SUPPLIED AND MUST NOT BE COPIED OR IN PART) WITHOUT WRITTEN PERMISSION FROM

© JIM MARSHALL (PRODUCTS) LTD.
 DENBIGH ROAD, BLETCHLEY, MILTON KEYNES, MK1 1DQ.
 TEL. (0908)375411 FAX (0908)376118

TITLE	
CCT DIAGRAM	
DWG.No	ISSUE
PC0629.DGM	5