

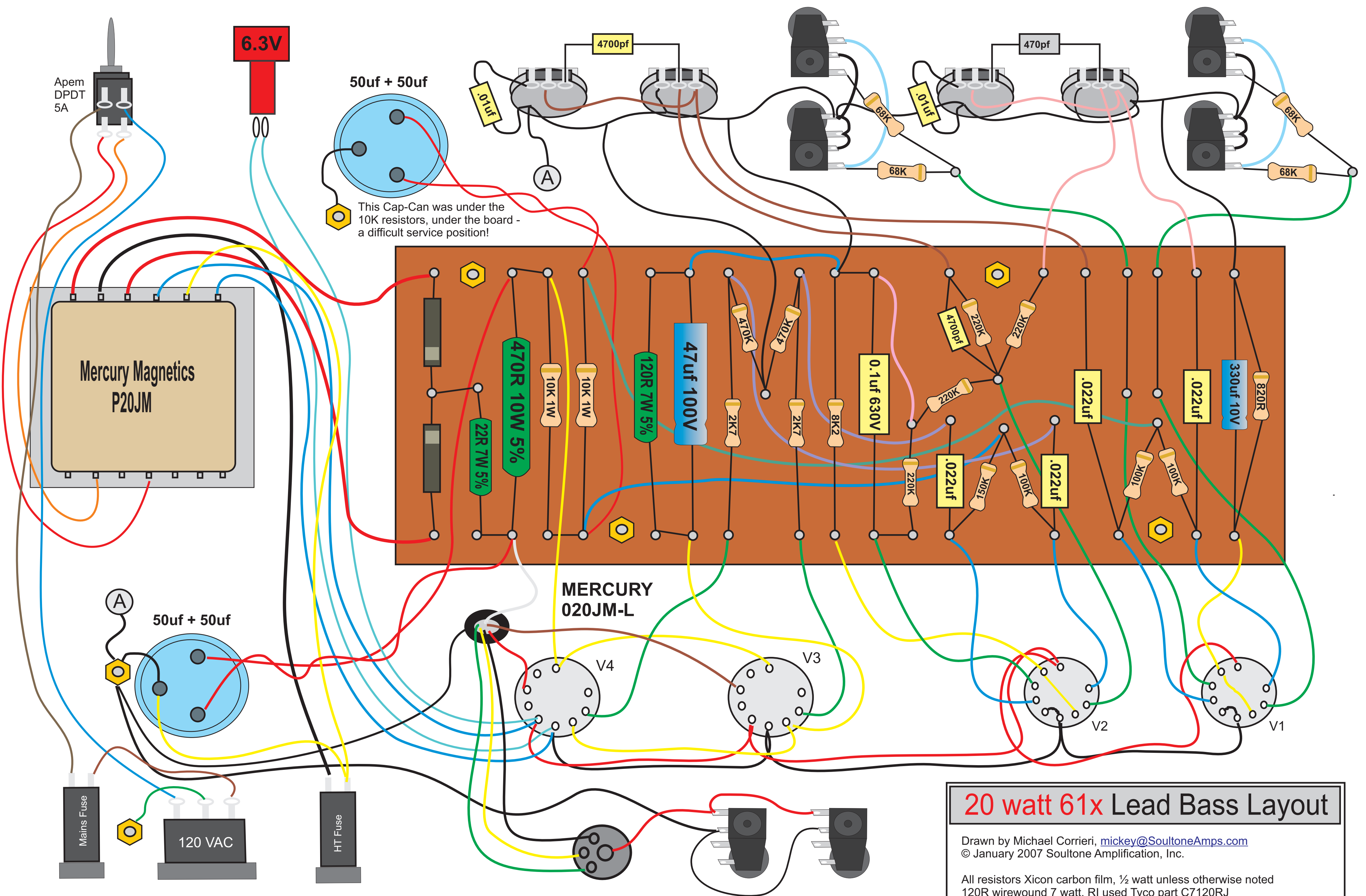
V1, V2 12AX7A, ECC83  
 V3, V4 6BQ5, EL84  
 10K 1W Carbon Film 10% - OEM Xicon 1W  
 470R 10W Wirewound 5% -OEM Tyco C10410RJ  
 22R 7W Wirewound 5% - OEM Tyco C722RJ  
 120R 7W Wirewound 5% - OEM Tyco C7120RJ  
 All other resistors 1/2 Watt Carbon Film - OEM Xicon  
 4700pf, .022uf, .01uf, .1uf 630V - OEM ERO 1813, Mallory 150M, or Sozo, etc.  
 470pf Fu-Jack 0412 OEM (or other Taiwanese equivalent)  
 Power Transformer - Marshall OEM, or Mercury Magnetics P20JM  
 Output Transformer - Marshall OEM, or Mercury Magnetics O20JM-L

Voltages:

V1 1:	197V	2:	3mv	3:	1.65mv	6:	182V	7:	.6mv	8:	1.65V	9:	H
V2 1:	265V	2:	1mv	3:	6.29v	6:	258V	7:	1.3mv	8:	6.29v	9:	H
V3 1:	-	2:	29.5mv	3:	11V	6:	-	7:	337V	8:	-	9:	338.4V
V4 1:	-	2:	20.0mv	3:	11V	6:	-	7:	337v	8:-	-	9:	337.6V

## 20 watt 61x-ray Lead & Bass Amplifier

Drawn by Michael Corrieri  
 mickey@soultoneamps.com  
 © 2007 by Souldtone Amplification, Inc.



This Cap-Can was under the 10K resistors, under the board - a difficult service position!

**20 watt 61x Lead Bass Layout**  
 Drawn by Michael Corrieri, [mickey@SoultoneAmps.com](mailto:mickey@SoultoneAmps.com)  
 © January 2007 Soultone Amplification, Inc.  
 All resistors Xicon carbon film, ½ watt unless otherwise noted  
 120R wirewound 7 watt, RI used Tyco part C7120RJ  
 22R wirewound 7 watt, RI used Tyco part C722RJ  
 470R wirewound 10 watt RI used Tyco part C10470RJ  
 Diodes 1N4007  
 Polypropelene Capacitors 630V ERO 1813, Mallory 150M, or Sozo  
 Potentiometers 1M audio taper ½ watt Carbon Film