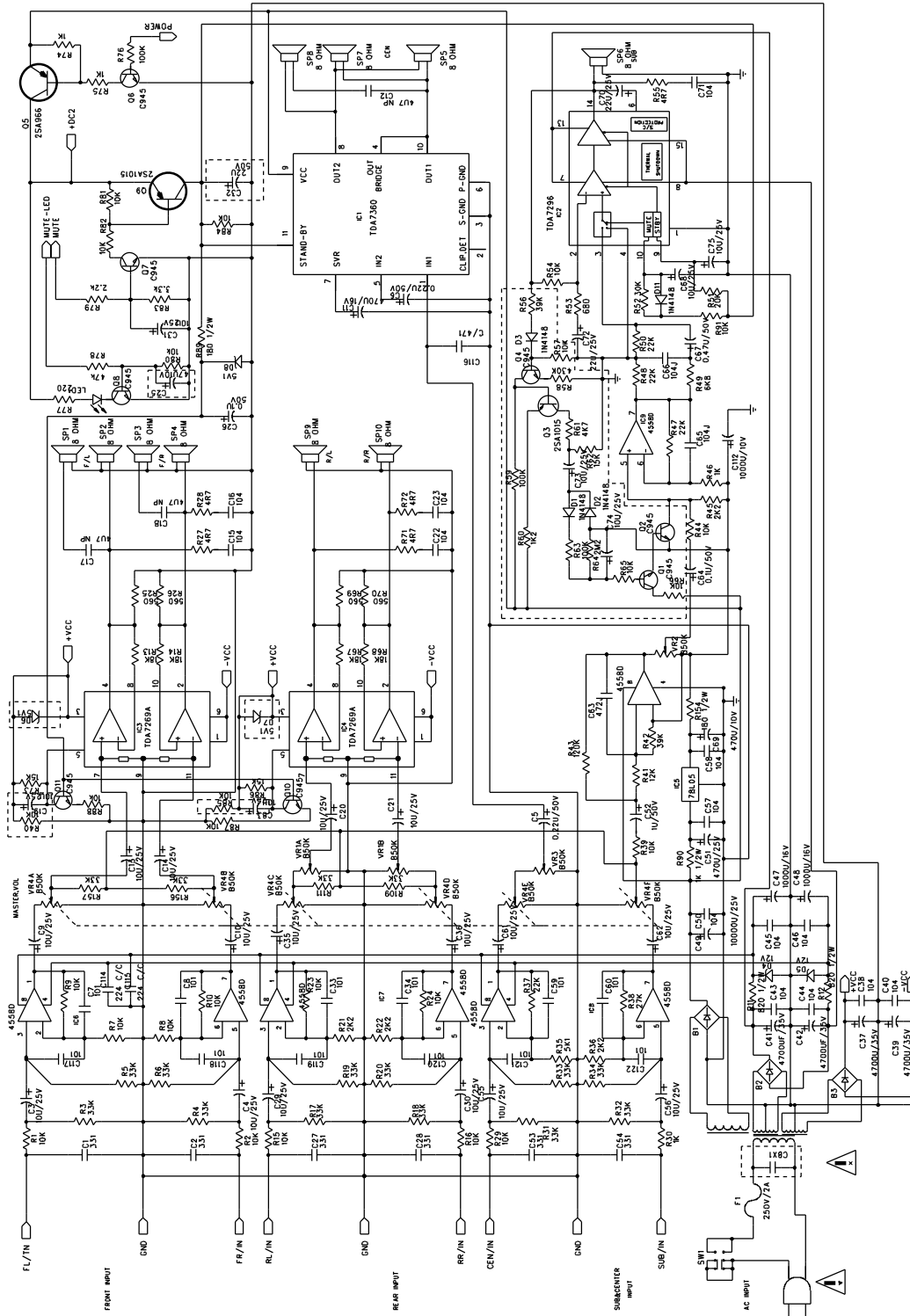


Schematic Diagram



- Notes:
1. All resistance values are indicated in " Ω " ($k=10^3 \Omega$, $M=10^6 \Omega$).
 2. All capacitance values are indicated in " μF " ($p=10^{-6} \mu F$).