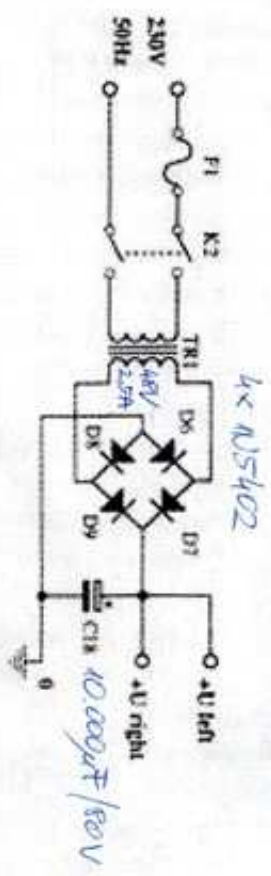
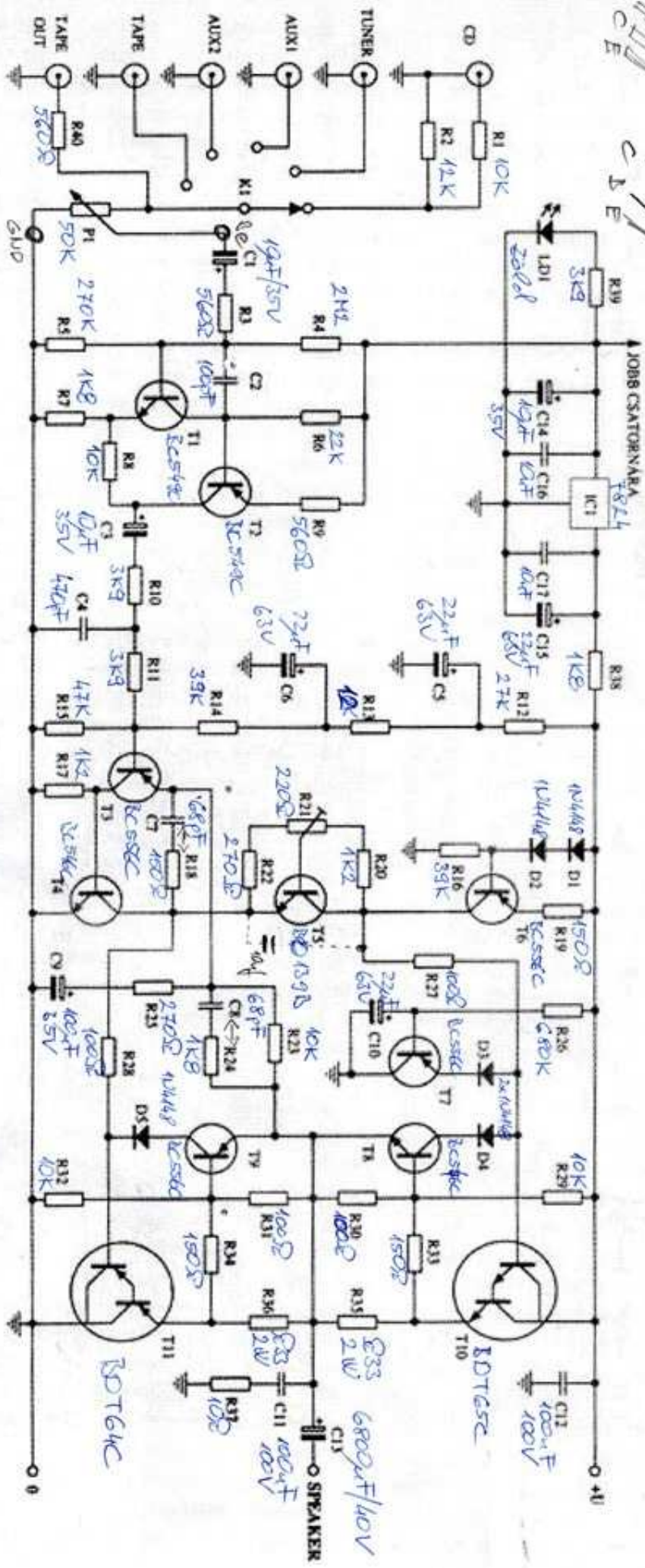


10µ/63V φ5 LOW ESR  
 22µ/63V φ8 LOW ESR  
 10µ/50V φ8



HT A30 5 11 15