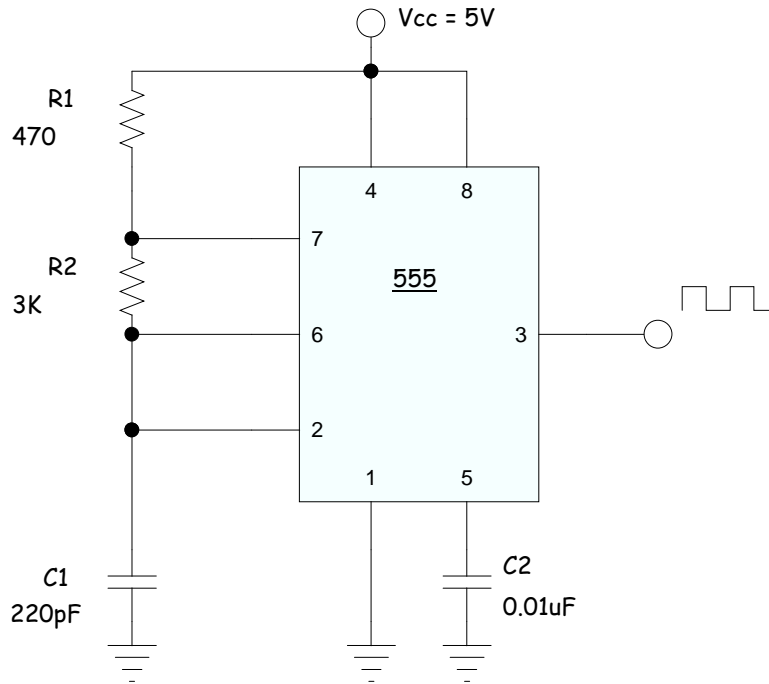


555 timer in astable mode



I_{supply}: 2.4 mA

Frequency: 996.486 KHz

Duty cycle: 52.7%

Timer: Bipolar