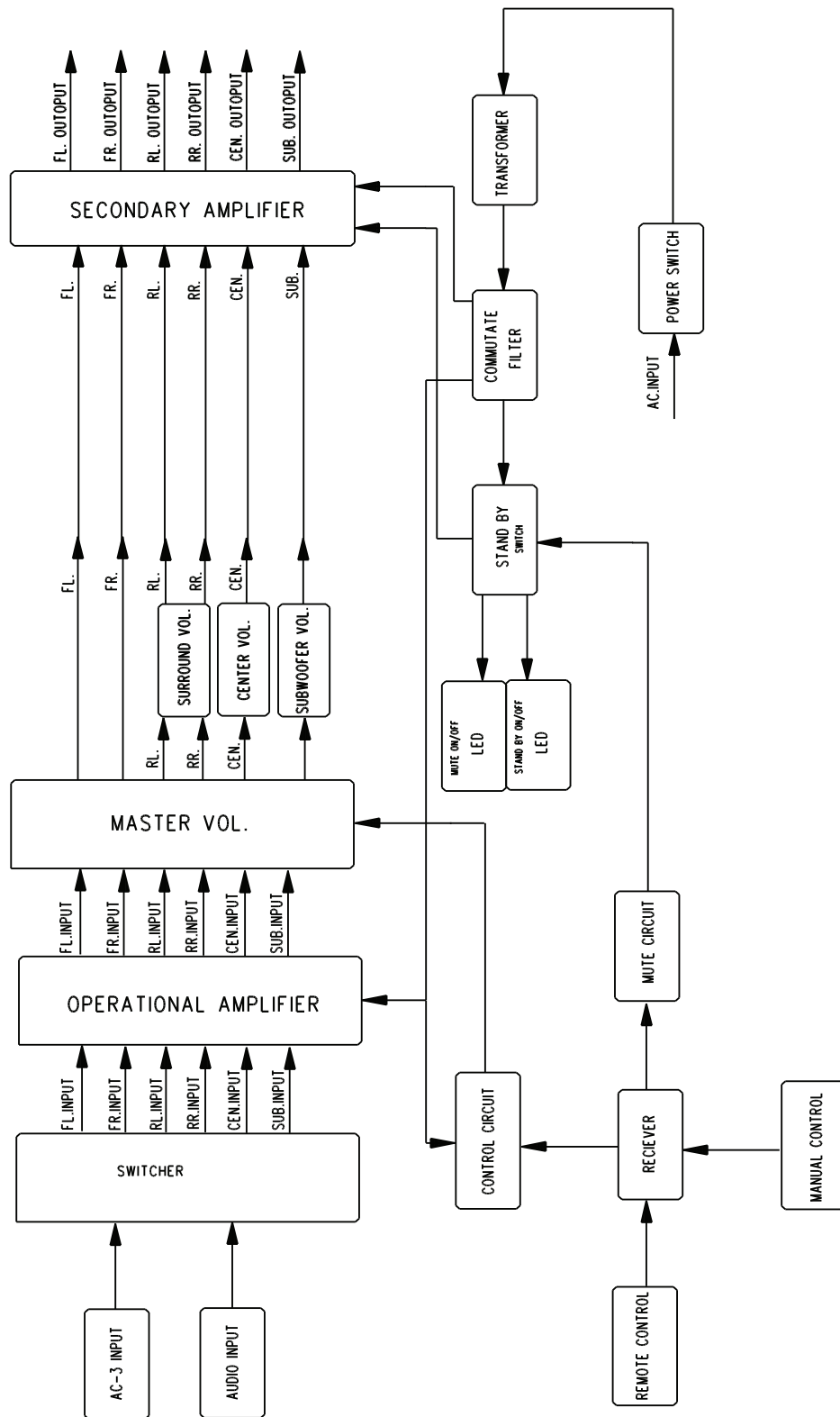
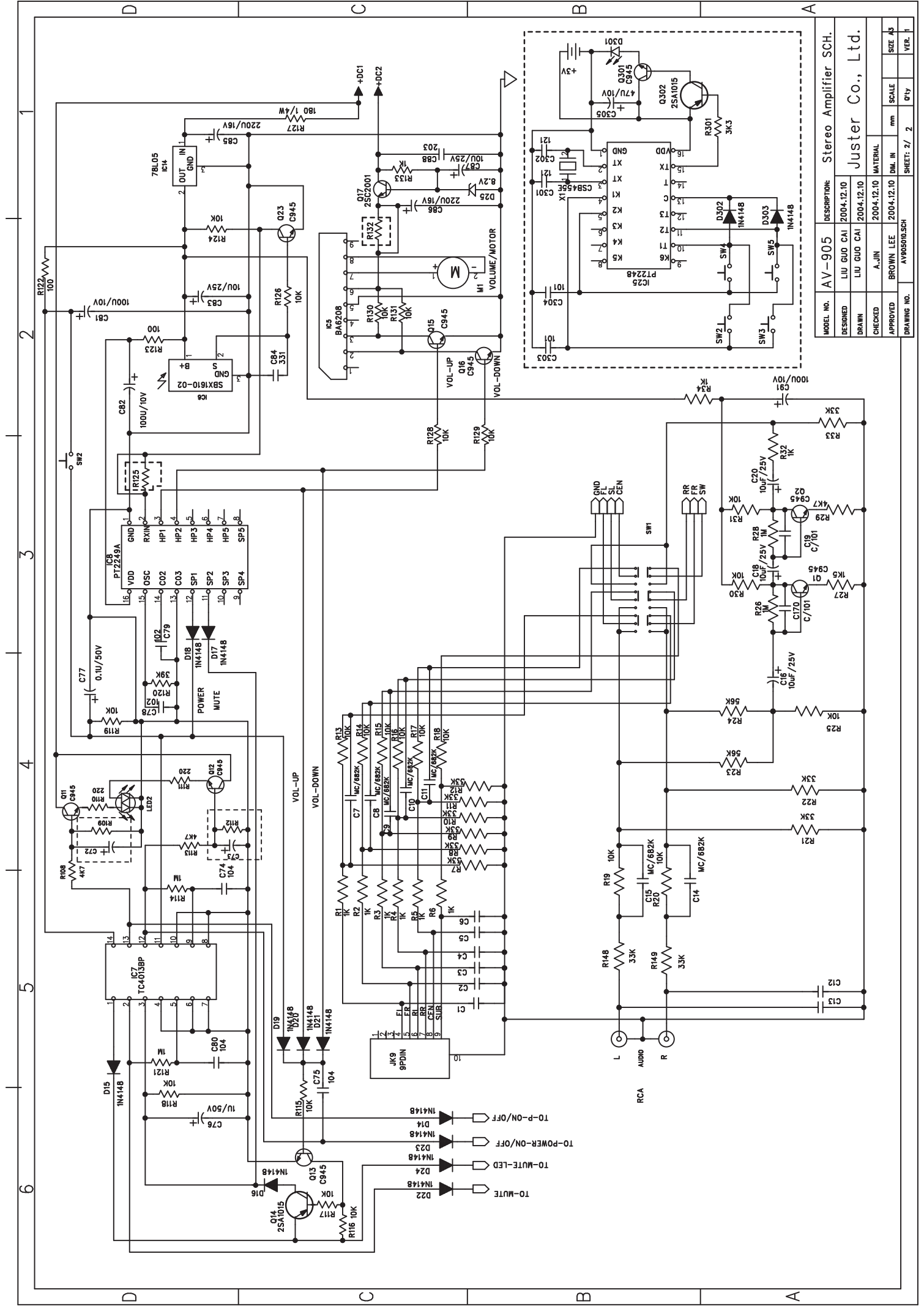
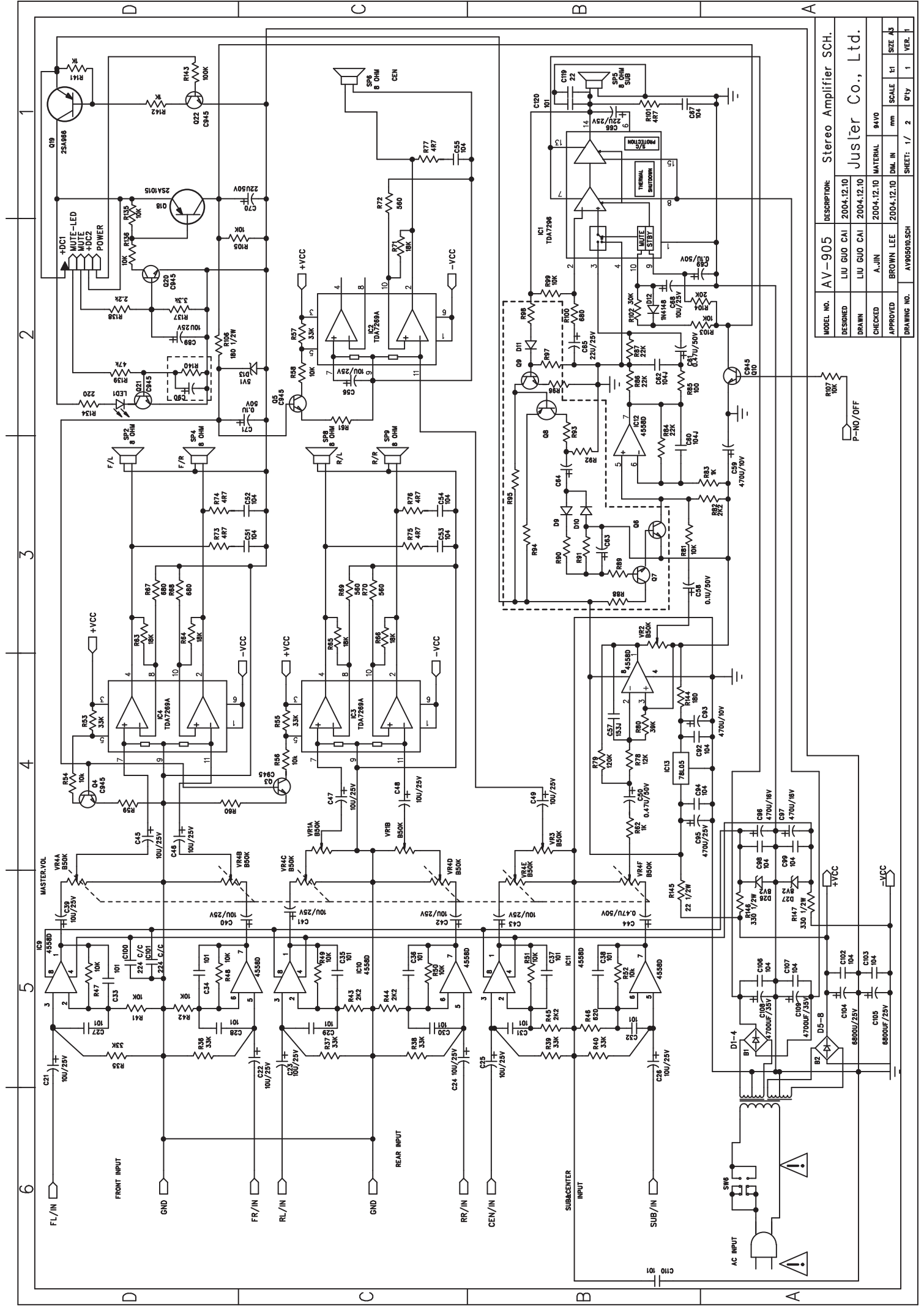


Chapter 3. Block Diagram





MODEL NO.		DESCRIPTION:	
AV-905	LIU GUO CAI	2004.12.10	DESIGNED
	LIU GUO CAI	2004.12.10	DRAWN
	A.JIN	2004.12.10	CHECKED
	BROWN LEE	2004.12.10	APPROVED
	AV905010.SCH		DRAWING NO.
			Juster Co., Ltd.
			MATERIAL
			DIM. IN
			SCALE
			SIZE
			VER. I
			SHEET: 2 / 2



MODEL NO.	AV-905	DESCRIPTION:	Stereo Amplifier SCH.			
DESIGNED	LIU GUO CAI	2004.12.10				
DRAWN	LIU GUO CAI	2004.12.10				
CHECKED	A.JIN	2004.12.10	MATERIAL	94V0		
APPROVED	BROWN LEE	2004.12.10	DIM. IN	mm	SCALE	1:1
DRAWING NO.	AV90500.SCH		SHEET: 1 /	2	QTY	1
			VER.	1		

JUSTER CO., LTD.
 94V0
 SCALE 1:1
 VER. 1