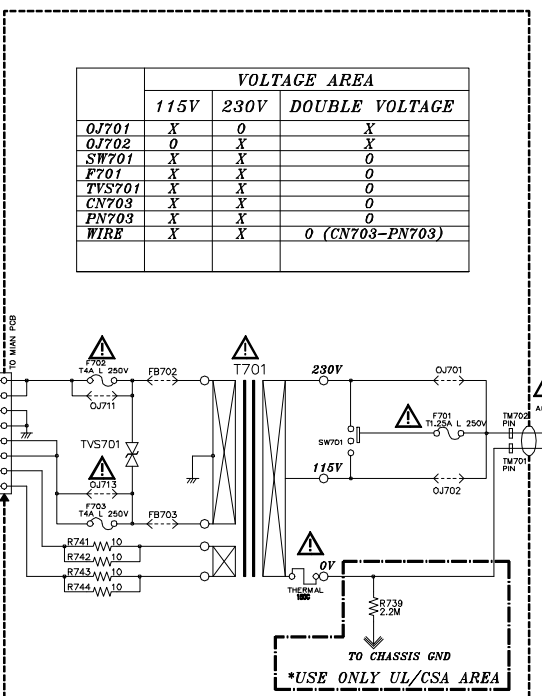
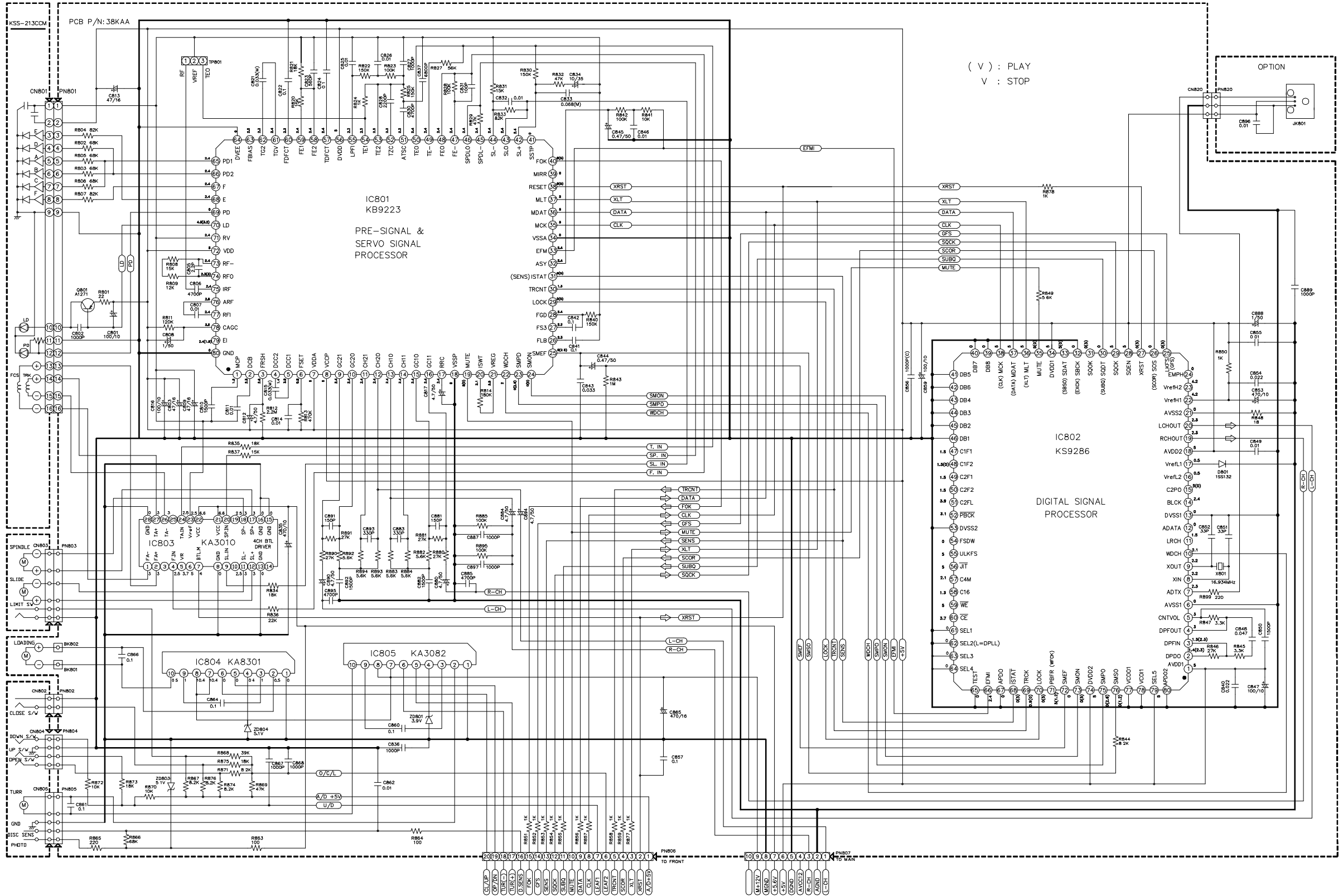
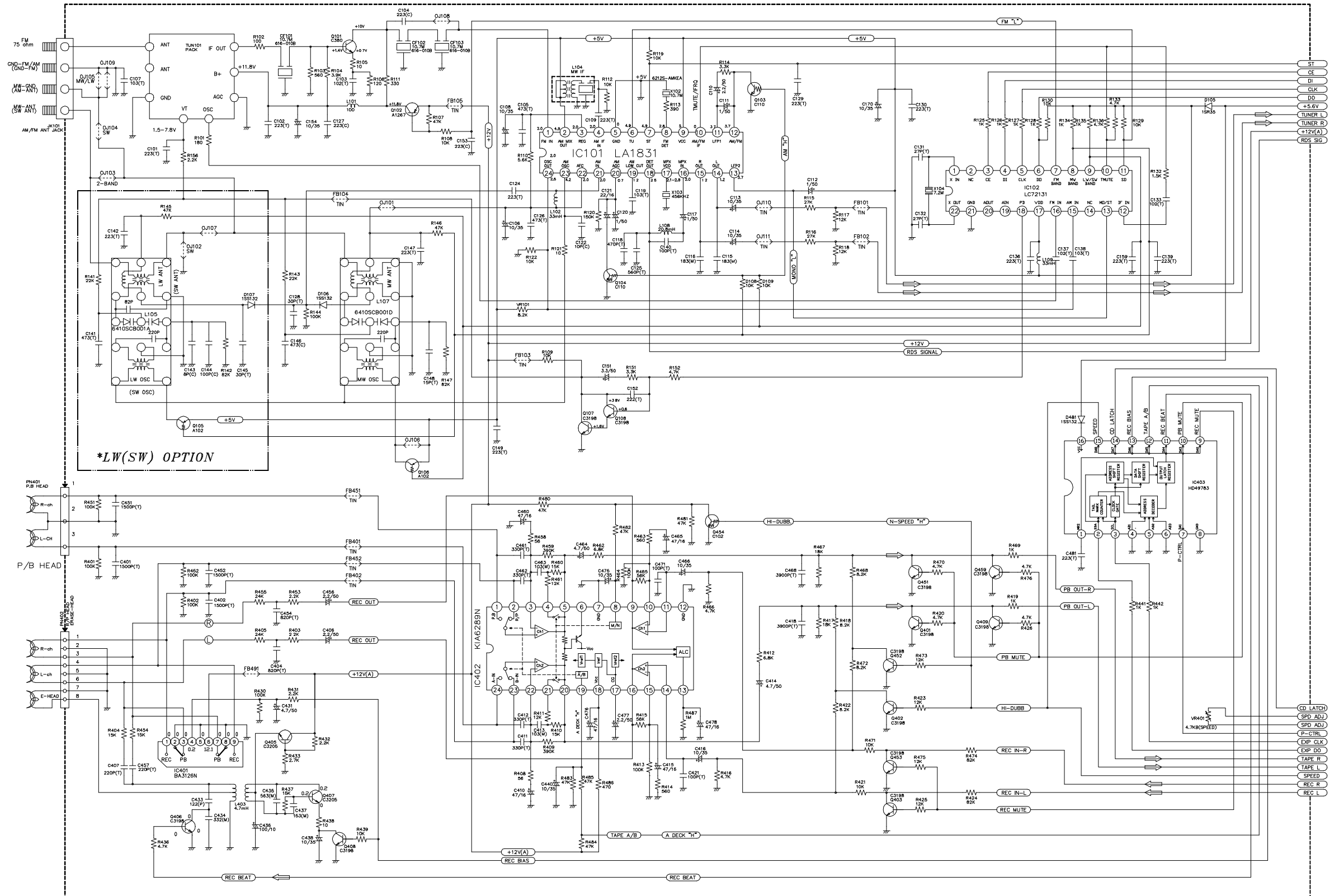


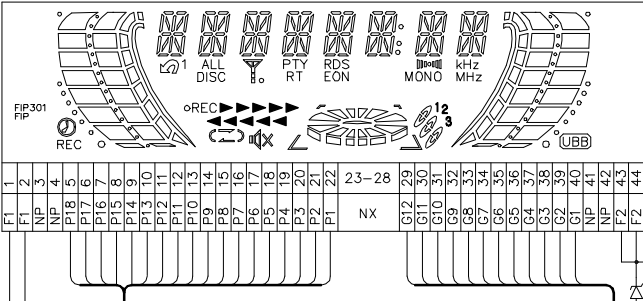
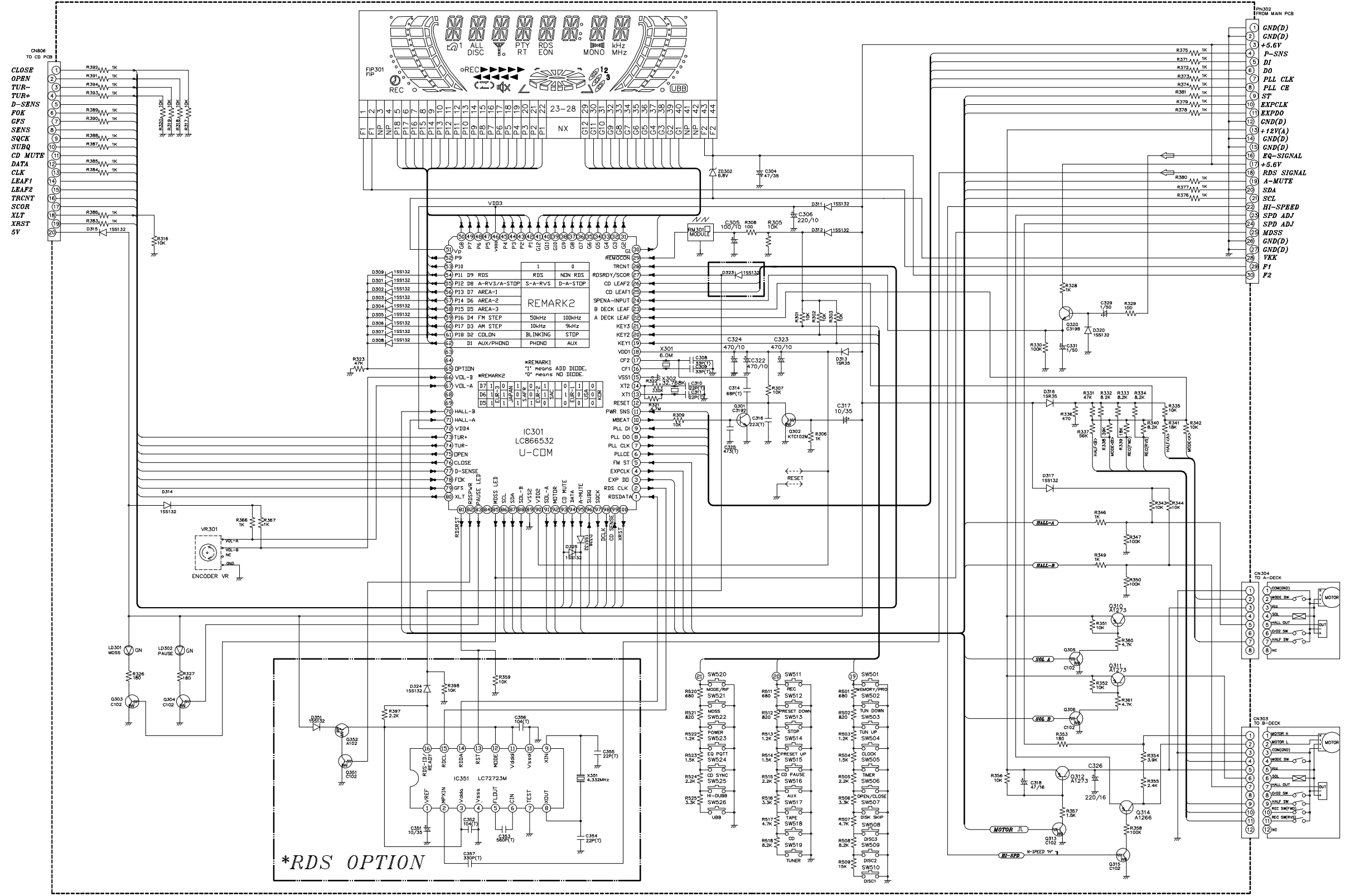
	VOLTAGE AREA		
	115V	230V	DOUBLE VOLTAGE
OJ701	X	0	X
OJ702	0	X	X
SW701	X	X	0
F701	X	X	0
TVS701	X	X	0
CN703	X	X	0
PN703	X	X	0
WIRE	X	X	0 (CN703-PN703)



TO CHASSIS GND
*USE ONLY UL/CSA AREA







Pin	Function	Pin	Function
1	P11 D9 RDS	27	RDSRDY/SCOR
2	P12 D8 A-RVS/A-STOP	28	CD LEAF2
3	P13 D7 AREA-1	29	CD LEAF1
4	P14 D6 AREA-2	30	SPENA-INPUT
5	P15 D5 AREA-3	31	B DECK LEAF
6	P16 D4 FM STEP	32	A DECK LEAF
7	P17 D3 AM STEP	33	KEY3
8	P18 D2 COLDN	34	KEY2
9	P19 D1 AUX/PHONO	35	KEY1
10	PHONO	36	VDD1
11	AUX	37	CF2
12		38	CF1
13		39	VSS1
14		40	XT2
15		41	XT1
16		42	RESET
17		43	PHR SMS
18		44	WBEAT
19			PLL DI
20			PLL DO
21			PLL CLK
22			PLL CE
23			FM ST
24			EXPCLK
25			EXP DP
26			RDS CLK
27			RDS DATA

Pin	Function	Pin	Function
31	REMARK2	32	REMARK2
33	REMARK2	34	REMARK2
35	REMARK2	36	REMARK2
37	REMARK2	38	REMARK2
39	REMARK2	40	REMARK2
41	REMARK2	42	REMARK2
43	REMARK2	44	REMARK2

*RDS OPTION

- 1 GND(D)
- 2 GND(D)
- 3 +5.6V
- 4 P-SYS
- 5 DI
- 6 DO
- 7 PLL CLK
- 8 PLL CE
- 9 ST
- 10 EXPCLK
- 11 EXPDO
- 12 GND(D)
- 13 +12V(A)
- 14 GND(D)
- 15 GND(D)
- 16 EQ-SIGNAL
- 17 +5.6V
- 18 RDS SIGNAL
- 19 A-MUTE
- 20 SDA
- 21 SCL
- 22 HI-SPEED
- 23 SPD ADJ
- 24 SPD ADJ
- 25 MDS
- 26 GND(D)
- 27 GND(D)
- 28 F1
- 29 F2

