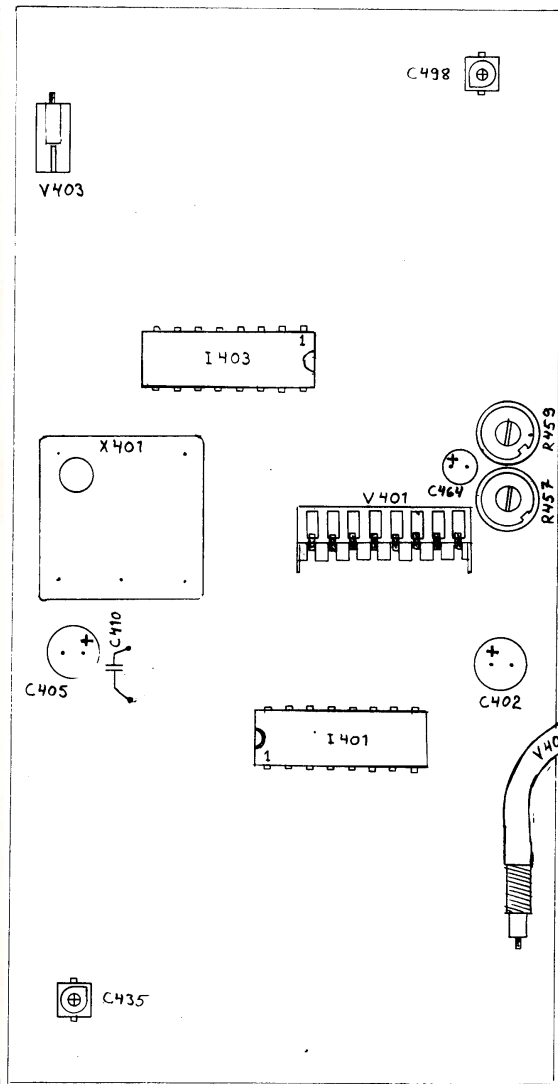
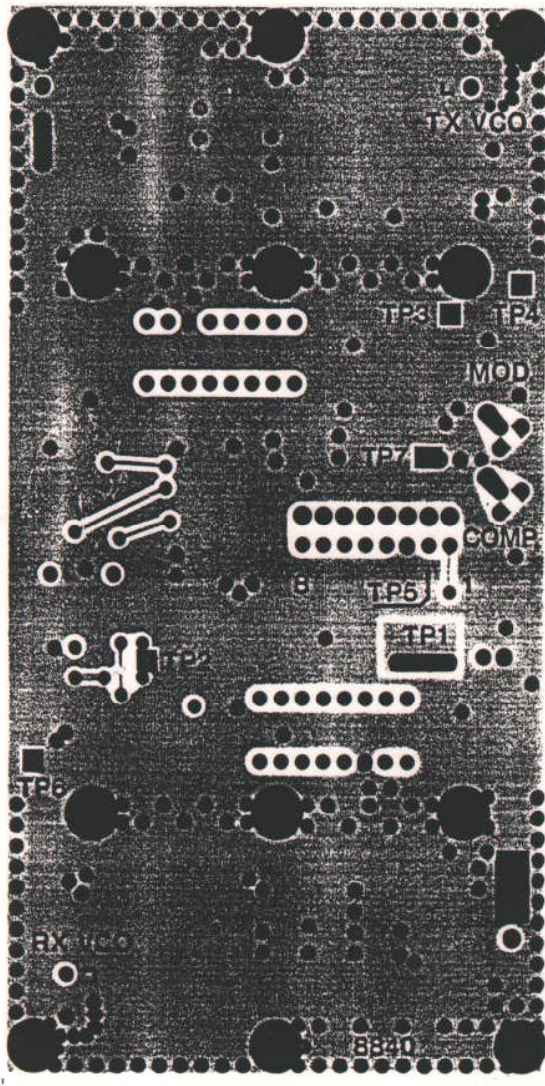
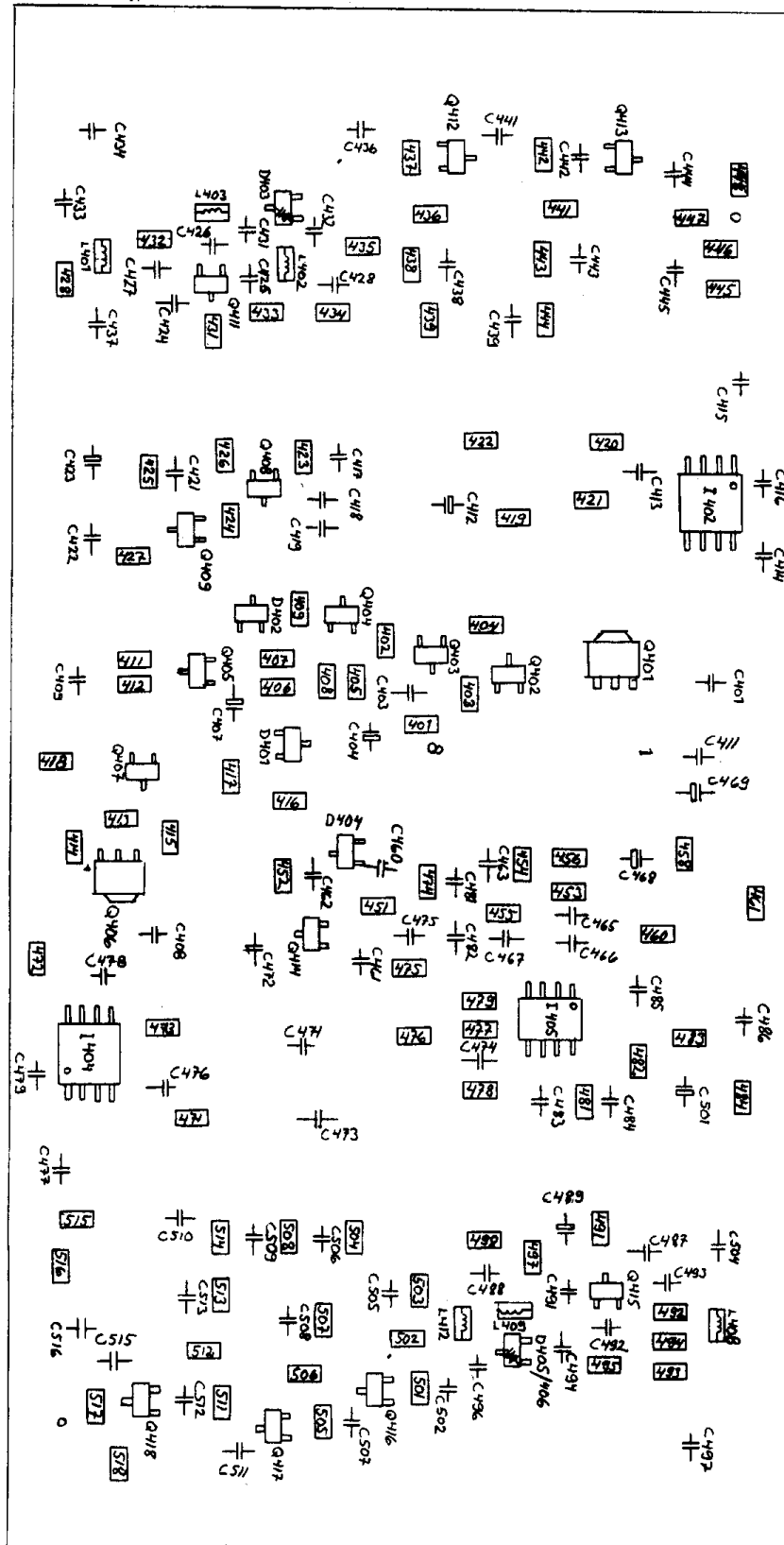
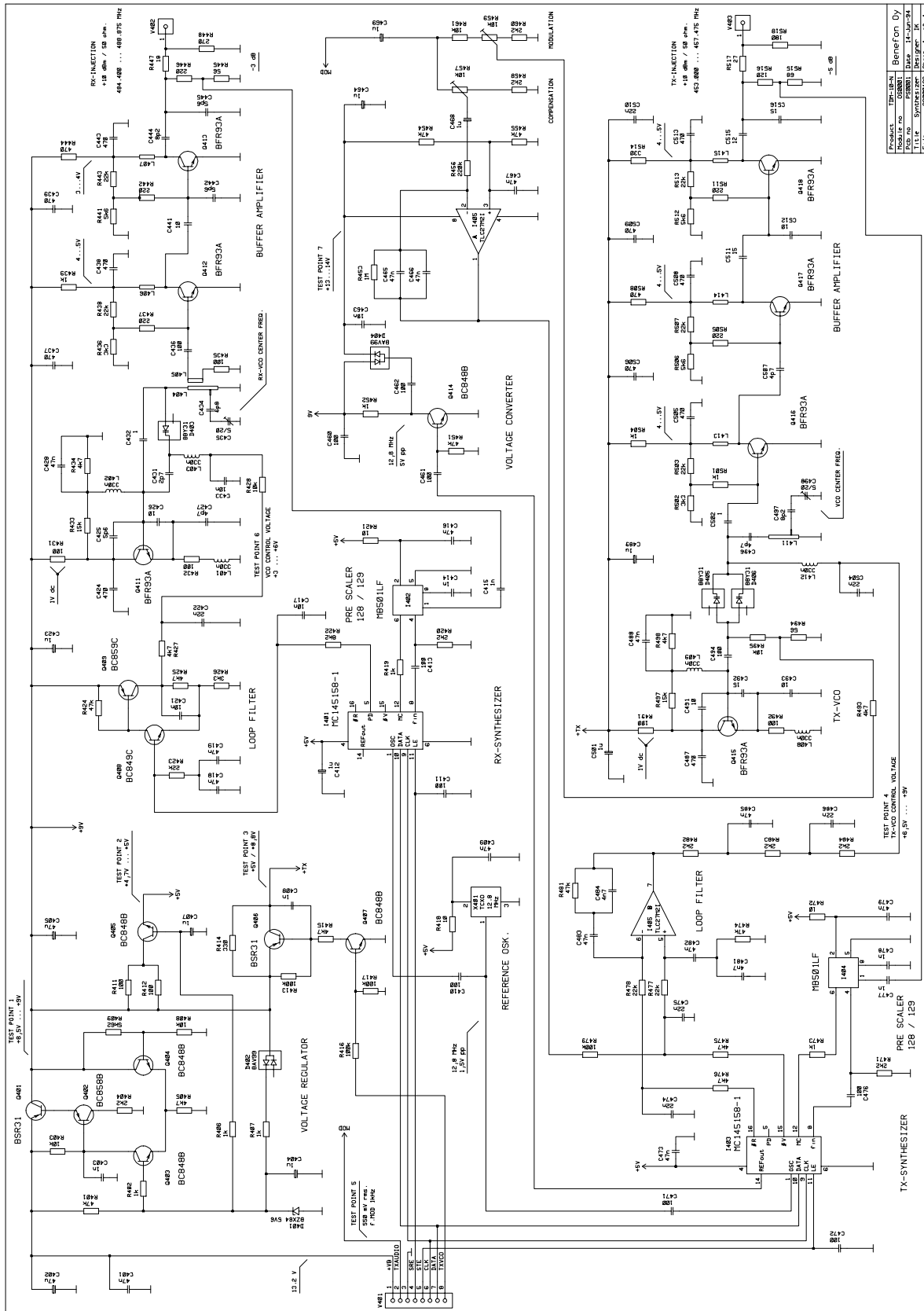


Component Side Layout PS0001A0 (Schematic OS0001A0)



Solder Side Layout PS0001A0 (Schematic OS0001A0)





Product	OS0021	Benefon Dy
Module no.	OS0021	
Rev. no.	000001	Date: 11-Jan-94
File	Synthesizer	
File	OS0021.DOC	Sheet: 1 of 1