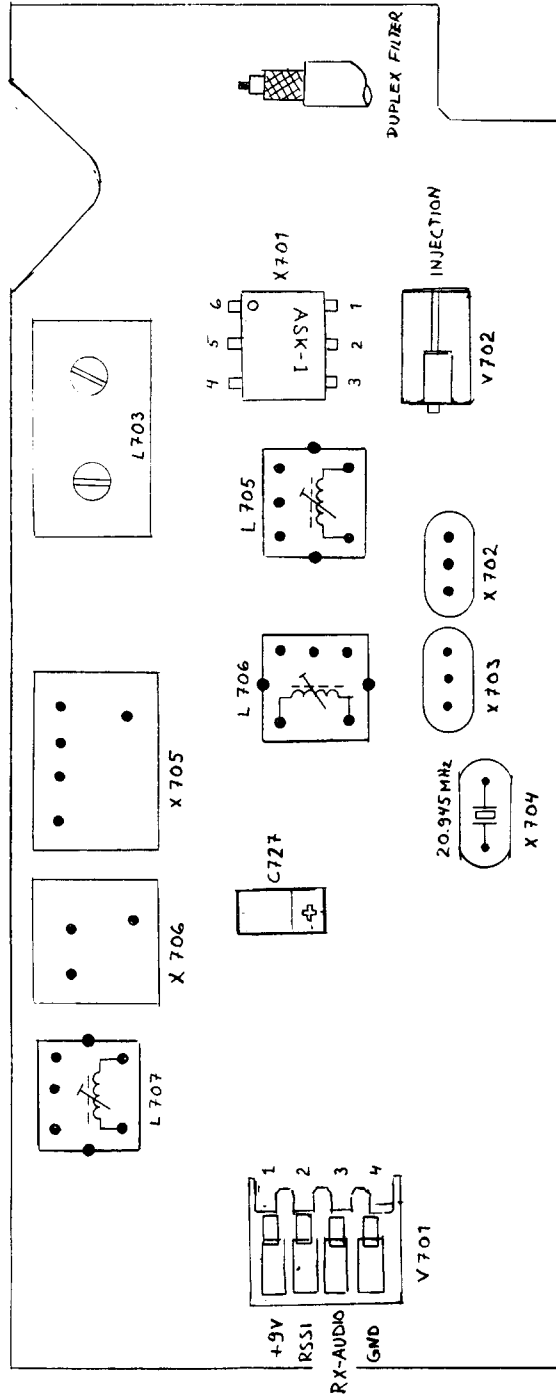
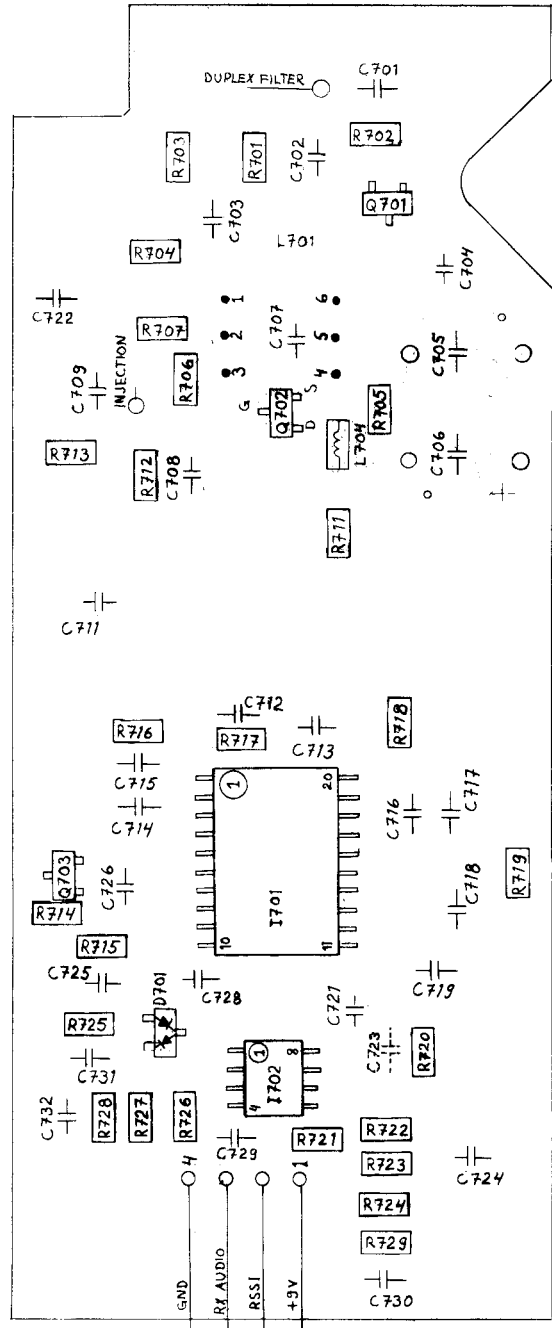
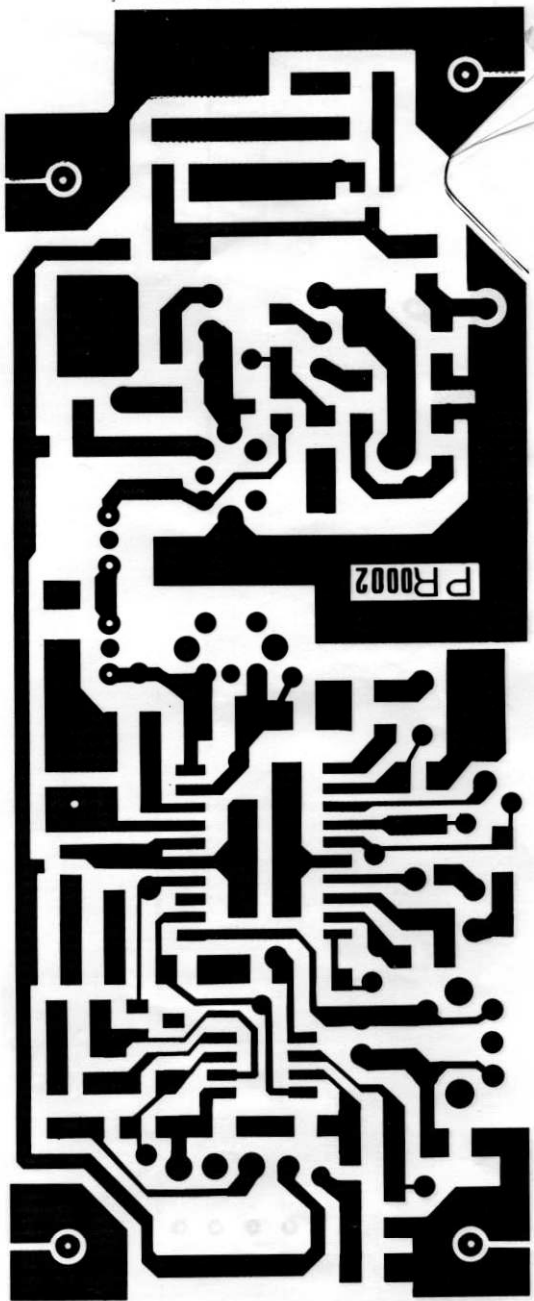
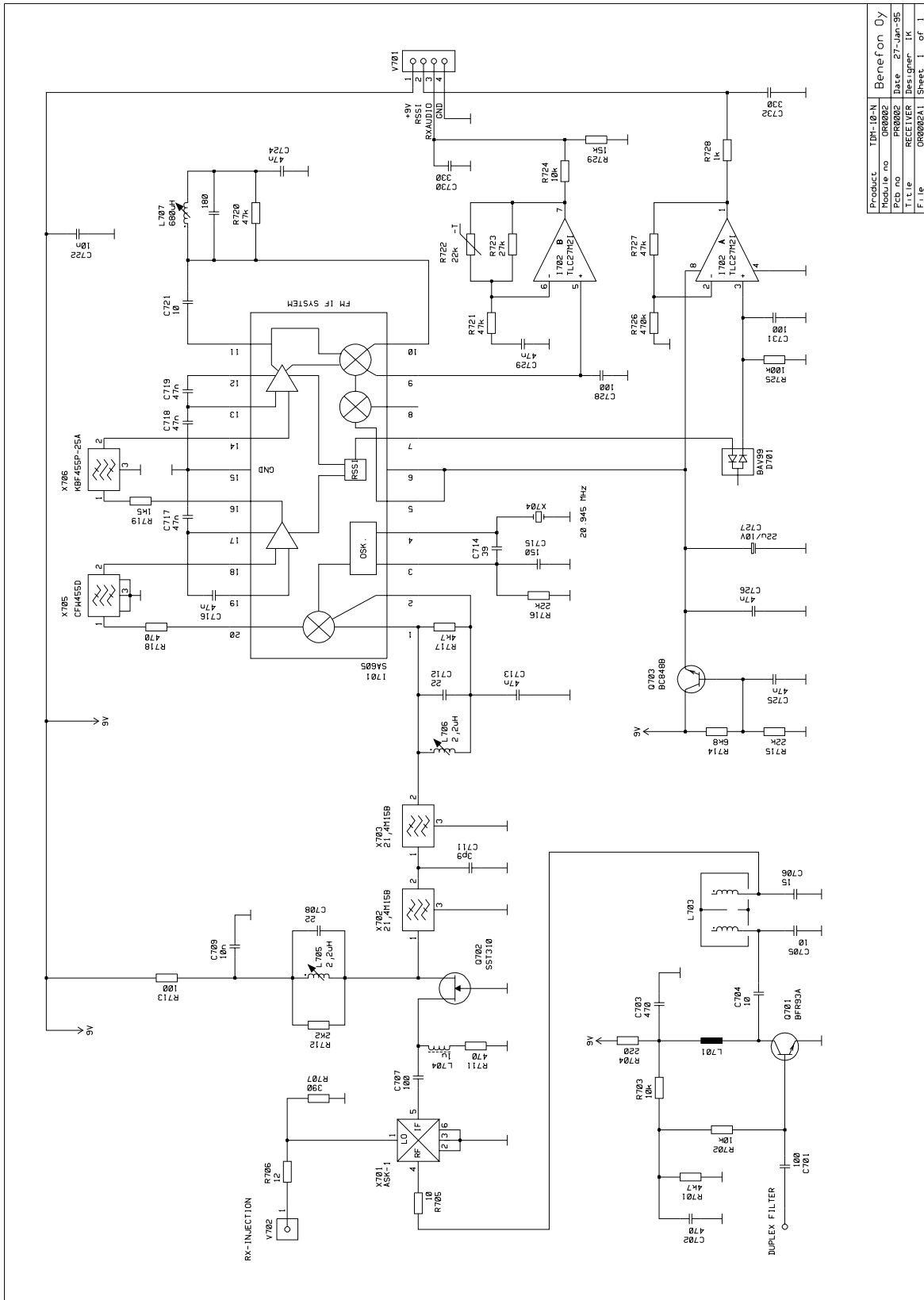


Component Side Layout PR0002A0 (Schematic OR0002A1)



Solder Side Layout PR0002A0 (Schematic OR0002A1)





Product	TDM-10-N	Benefon Oy
Module no	OR0002	
Pcb no	OR0002	Date 27-Jan-95
Title	RECEIVER	Designer IK
File	OR0002A1	Sheet 1 of 1