

STK 075,077, 078,080,082

thick film hybrid IC

15 to 35W min. AF POWER AMP.



Features

- ©IMST, 1 Channel by 2 Power Supplies.
- AF output power STK 075: 15W min., STK 077: 20W min., STK 078: 24W min., STK 080: 30W min., STK 082: 35W min.
- Differential amp. constant current driving.
- Capable of tone controlling.
- STK 078-105 and STK 082-105 are for the use of $T_C=105^{\circ}\text{C}$.

MAXIMUM RATINGS / $T_B=25^{\circ}\text{C}$

	STK 075	STK 077	STK 078	STK 080	STK 082	unit
Maximum Supply Voltage $V_{CC\text{max}}$	±28	±32	±35	±39	±43	V
Operating Case Temperature T_C	→	→	→	→	85	$^{\circ}\text{C}$
Storage Temperature T_{stg}	→	→	→	→	-30~+100	$^{\circ}\text{C}$
Allowable Load Shorting Time (in appointed condition) t_s	→	→	→	→	2	sec

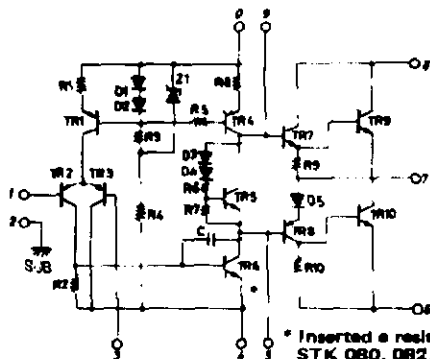
RECOMMENDED OPERATION CONDITION / $T_a=25^{\circ}\text{C}$

	STK 075	STK 077	STK 078	STK 080	STK 082	unit
Recommended Supply Voltage V_{CC}	±20	±22	±25	±27	±30	V
Load Resistance R_L	→	→	→	→	8	ohm

OPERATION CHARACTERISTICS / $T_a=25^{\circ}\text{C}$, recommended operating condition, $R_g=600\text{ohm}$, $V_G=26.4\text{dB}$

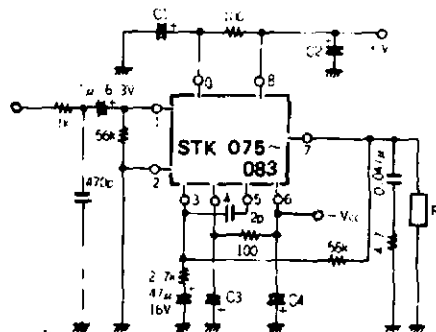
	STK 075	STK 077	STK 078	STK 080	STK 082	unit
Quiescent Current I_{cco}	→	→	→	→	100	mAmax
Output Power $P_o(1)$ THD=0.3%, f=20 to 20kHz	15	20	-	-	-	Wmin
$P_o(2)$ THD=0.2%, f=20 to 20kHz	-	-	24	30	35	Wmin
Distortion THD f=20 to 20kHz, rated output power	0.3	0.3	0.2	0.2	0.2	%max
Frequency Response f $P_o=1\text{W}$, -1dB	→	→	→	→	10~100k	Hz
Input Resistance r_i $P_o=1\text{W}$, f=1kHz	→	→	→	→	52k	ohm

EQUIVALENT CIRCUIT



* Inserted a resistor in only STK 080, 082, 083.

APPLICATION



	STK 075, 77, 78	STK 080, 82, 83
C1	220 μ /35V	220 μ /50V
C2	10 μ /35V	10 μ /50V
C3	220 μ /35V	220 μ /50V
C4	10 μ /35V	10 μ /50V

See the operation characteristics on this specification.