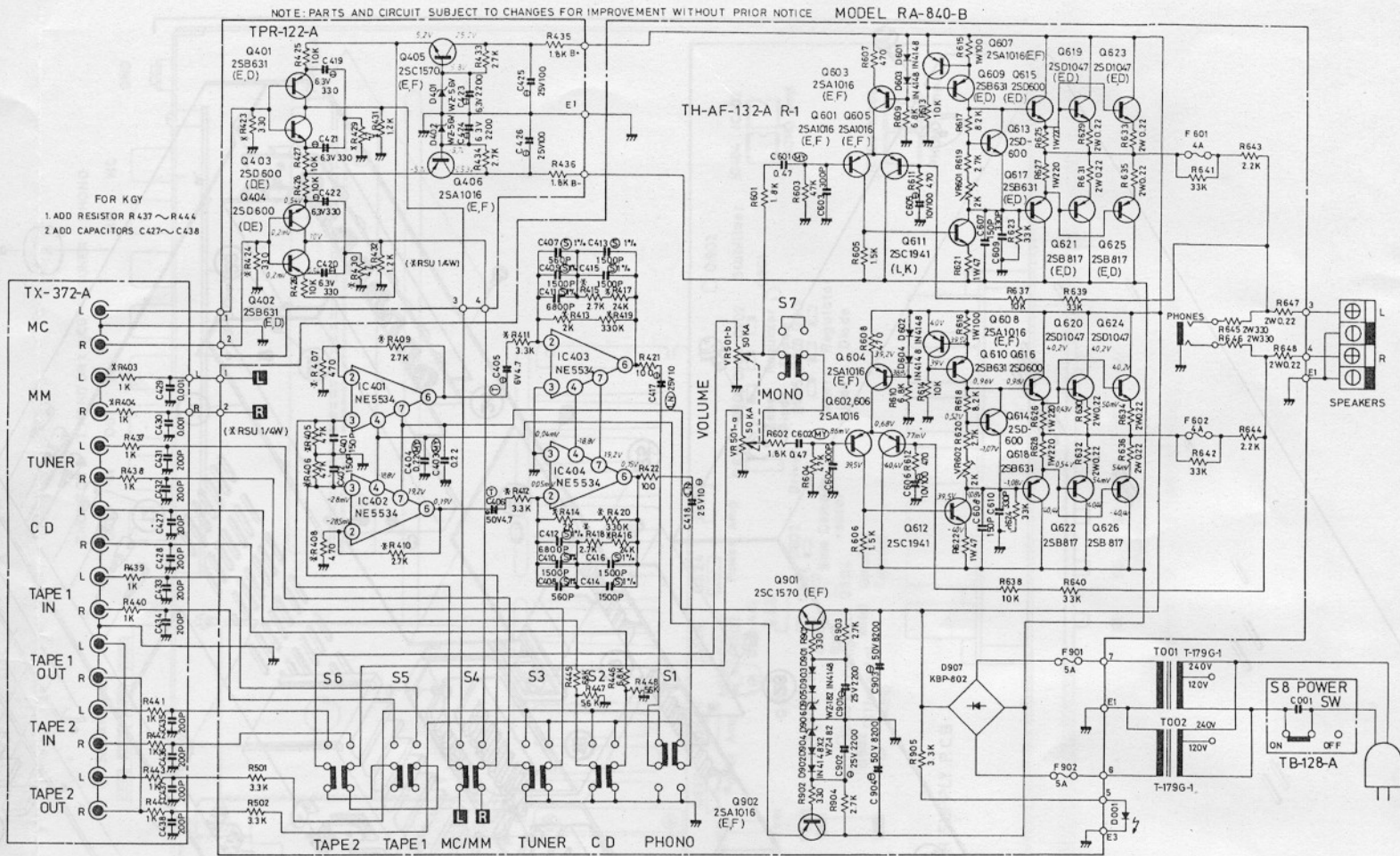


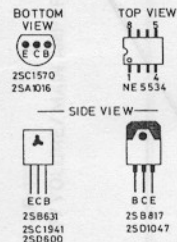
Schematic Diagram / Schaltungsschema / Diagramme sché



RESISTOR
 5% TOLERANCE UNLESS OTHERWISE NOTED
 K - KILO OHM
 M - MEGA OHM
 W - COMPOSITION RESISTORS 1/2 WATT
 RSU - METAL OXIDE FILM RESISTOR
 NON MARK - LOW NOISE TYPE CARBON RESISTORS

CAPACITORS
 (E) - LOW NOISE ELECTROLYTIC CAPACITORS
 (F) - MYLAR FILM CAPACITORS
 (P) - POLYSTYRENE FILM CAPACITORS
 (S) - ELECTROLYTIC CAPACITORS
 (C) - CERAMIC CAPACITORS
 UNLESS OTHERWISE NOTED IN SCHEMATIC ALL CAPACITANCE VALUES ARE EXPRESSED IN MFD

ITEM	SCHEMATIC LOCATION	WASST
PHONO AMP	R448 C436	
VOLUME	R502	
MAIN AMP	R648 C810	
POWER SUPPLY	R905 C904	



Block Diagram / Blockschaltbild / Schema synoptique

