



# Service Manual

Washing machine

Frontloader

AWM 247/3

<b>Model Version</b>		<b>Page</b>
	AWM 247/3	
	8570 247 10701	
	Technical data	2 - 3
	Spare part list	4
	Exploded view	5 - 6
	Wiring diagram	7
	Circuit diagram	8
	Program diagram	9
	Text/Legend	10
	Family	1B

## Technical data

### Dimensions

Height	85	cm
Width	59.5	cm
Depth	51	cm

### Weight

Without packing	72	kg
-----------------	----	----

### Main connection

Voltage	230	V
Frequency	50	Hz
Power consumption	2.3	kW
Fuse rating	10	A

### Drum

Volume	42	l
Wash spin	54	rpm
Speed spinning max.	800	rpm

### Capacity of dry laundry

Cotton/ coloured laundry	4.5	kg
Cotton rapid	2.5	kg
Easy care	2	kg
Delicate	1.5	kg
Wool	1	kg

### Pressostat

#### Quantity of water washing

Cotton/ coloured laundry	6	l
Easy care	6	l
Delicate/ Wool	16.5	l
Overflow	30	l

#### Quantity of water rinse

Cotton/ coloured laundry	16	l
Easy care	16	l
Delicate/ Wool	16	l
Overflow	30	l

### Nominal current

#### Contacts:

11 - 12	4 (4)	A
11 - 14	16 (4)	A
11 - 16	1 (1)	A

#### Contactsystem:

11-12-14	jump contacts
11 - 16	slow action contacts

### Door lock

Lock time	3" - 6"	(20°C)
Unlock time	60" - 90"	
Nominal voltage	230	V
Nominal current contact	4 - 5	16 (4) A

### Heating element

Kind of heating	Tubular heating element with fuses	
Nominal voltage	230	V
Nominal power	2050	W
Heat conductor resistance	24.1	Ω

### Inlet valve

Water temperature	60	°C
Rated flow < 1 bar	8	l/min
Pressure range	0.5 - 10	bar
Nominal voltage	220 - 240	V
Frequency	50	Hz
Starting voltage < 6 bar	160	V
6-10 bar	170	V
Nominal current	35	mA
Nominal power	6	VA
Nominal resistor( 20°C )	4060	Ω

### Drain pump (synchronous)

Nominal voltage	230	V
Nominal current	0.3	A
Nominal consumption	34	W
Frequency	50	Hz
Resistor (coil)	162± 7%	Ω
Motor protection	no	
Capacity (1.25m height)	14 ± 2	l/min

## Technical data

### Program timer

Type	Electromechanical timer with time system and integrated analog electronic		
Fab.	EC 4526/01 (Timer 1b)		
Nominal voltage	230		V
Frequency	50		Hz
Total positions	60		

### Cotton/coloured laundry

Pre wash	pos.	01 - 05
Main wash	pos.	06 - 19
Rinse	pos.	20 - 32
Spin	pos.	33 - 36
Stop	pos.	37

### Easy care

Pre wash	pos.	01 - 05
Main wash	pos.	06 - 19
Rinse	pos.	20 - 32
Spin	pos.	33 - 36
Stop	pos.	37

### Delicate

Pre wash	pos.	-
Main wash	pos.	38 - 46
Rinse	pos.	47 - 55
Spin	pos.	56 - 59
Stop	pos.	60

### Wool

Pre wash	pos.	-
Main wash	pos.	40 - 46
Rinse	pos.	47 - 55
Spin	pos.	56 - 59
Stop	pos.	60

### Output

motor		
- reversing	M7.5-B9	> 40 V
pump	DP2.1-DP2.2	230 V
doorlock	B7-C8	230 V
pressostat	B7-C1	230 V
- empty	C1-C11	230 V
- full	C1-B3	230 V
valve	V2.1-V2.2	>170 V

### Motor

Type	MCA38/64 - 158/ WHE3 i = 1 : 20		
------	------------------------------------	--	--

#### Resistance contacts:

6 - 7	68.7	± 7% Ω
4 - 5	2.25	± 7% Ω
2 - 3	1.61	± 7% Ω

### Radio interference supression

Type	BV 16.250/118		
Nominal voltage	230		V
Nominal capacity	100nFX1+2x22nFY2		
Derivation current	4.15		mA

### Variable thermostat

Nominal voltage	230		V
Nominal current	16 (4)		A
Temperature range	28 - 80		°C

### Push botton switch

Start stop	SM
Rinse stop	SRS
Spin reduktion	SSR
Half load	SHL

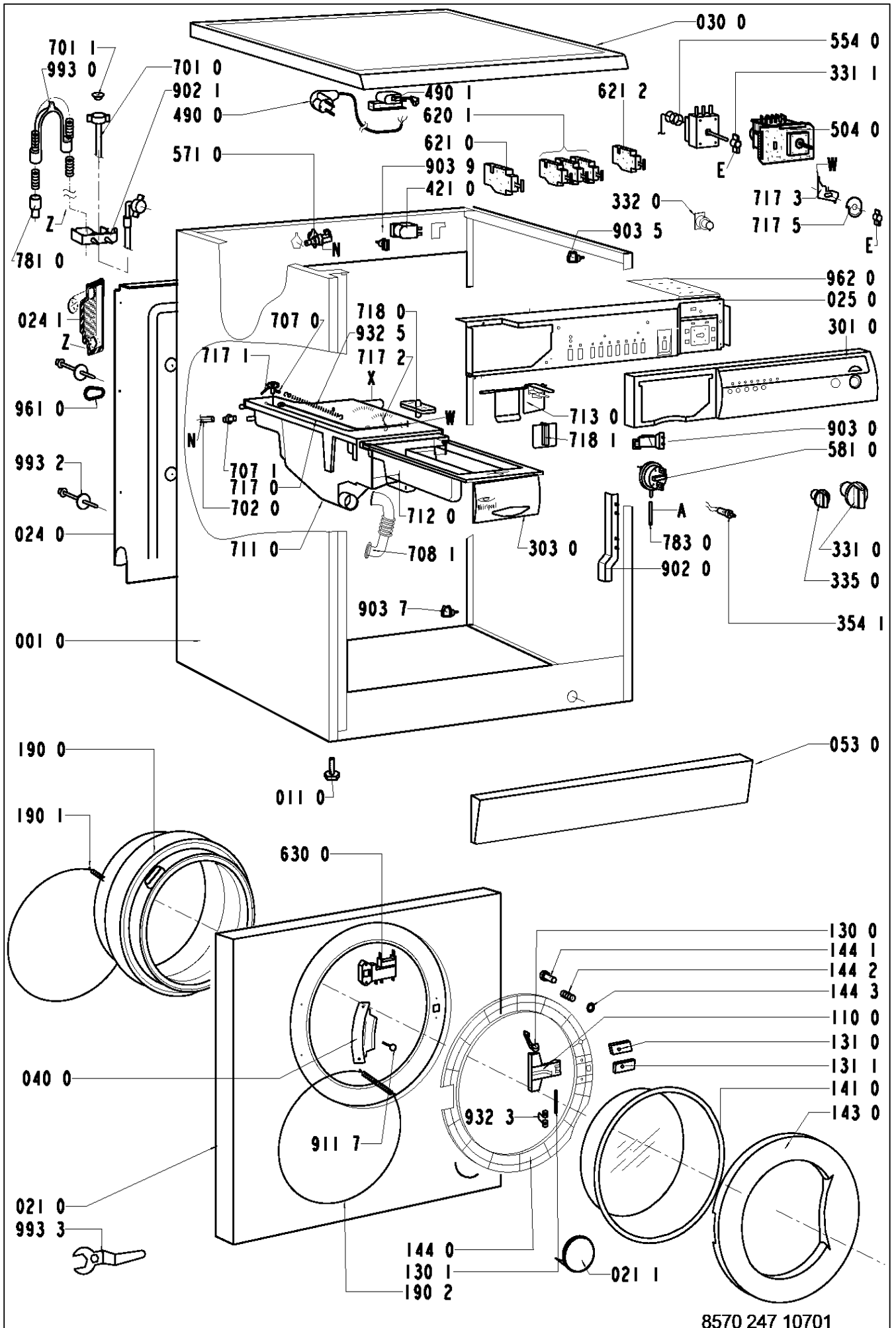
**Spare part list**

**Model** AWM 247/3  
**Service No.** 857024710701  
**Version** 857024710701

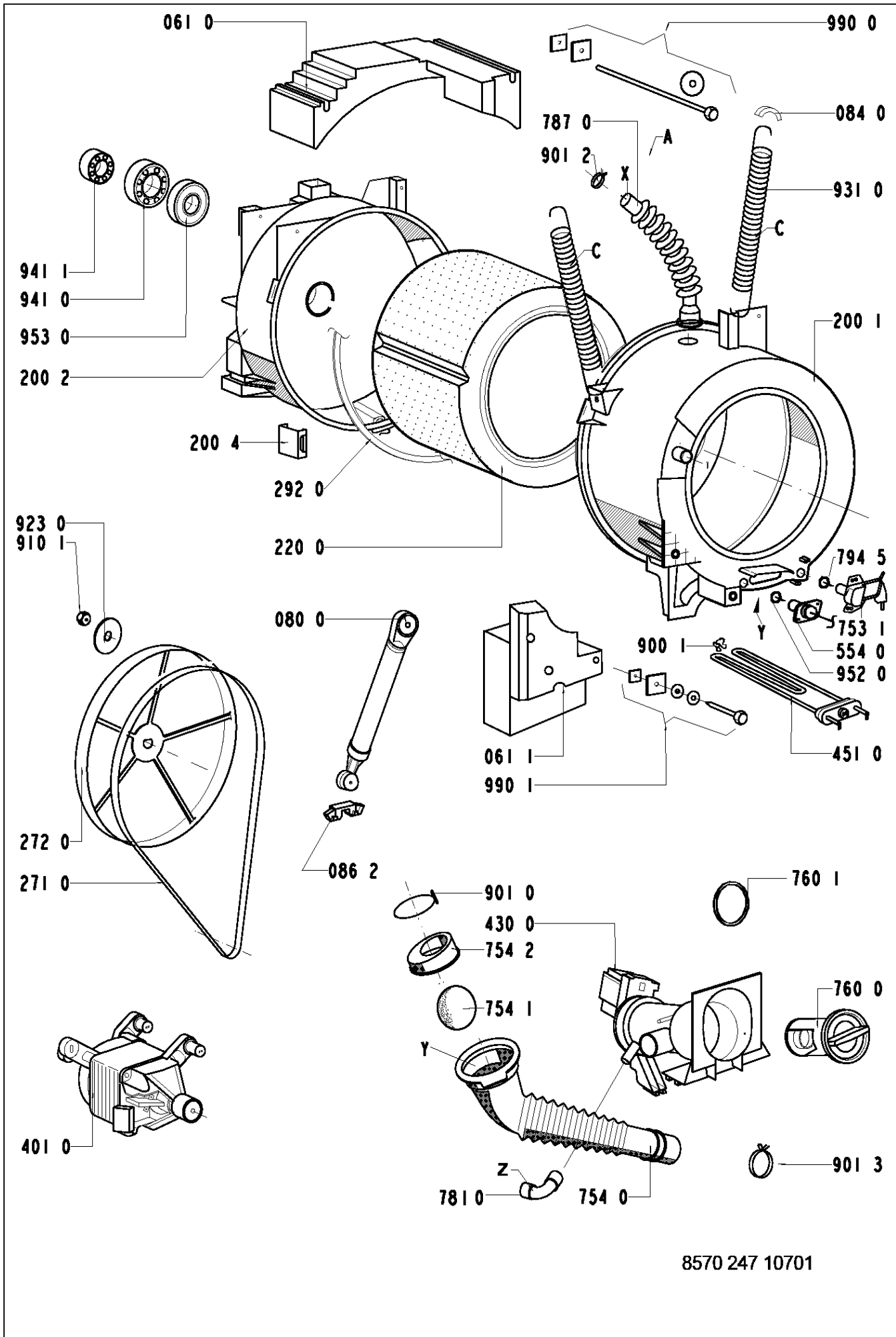
Pos. No.	12NC Code	Description
001 0	<b>4819 440 19716</b>	Cabinet
011 0	<b>4819 462 48472</b>	Foot
021 0	<b>4819 440 19715</b>	Front
021 1	<b>4812 440 19343</b>	Flap
024 0	<b>4819 440 19892</b>	Panel, rear
024 1	<b>4819 418 79837</b>	Box hose
025 0	<b>4812 440 19346</b>	Holder Control Device
030 0	<b>4819 440 19788</b>	Table top
040 0	<b>4812 417 18787</b>	Hinge
053 0	<b>4819 440 19791</b>	Plinth
061 0	<b>4812 466 88458</b>	Counter weight upper
061 1	<b>4812 466 88459</b>	Counter weight front
080 0	<b>4812 529 18038</b>	Shock absorber 800-1000
084 0	<b>4812 466 58001</b>	Silent bloc
086 2	<b>4812 401 18412</b>	Stopper
110 0	<b>4812 498 18139</b>	Handle,door white
130 0	<b>4812 417 28046</b>	Lock Door
130 1	<b>4812 417 28045</b>	Pin Door Lock
131 0	<b>4812 417 28047</b>	Plate Door lock
131 1	<b>4812 417 28048</b>	Plate Doorlock Lower
141 0	<b>4812 450 68219</b>	Door glass
143 0	<b>4819 532 28286</b>	Glassdoor frame
144 0	<b>4812 459 28043</b>	Frame,door glas
144 1	<b>4812 498 18137</b>	Knob Door safety
144 2	<b>4812 492 58023</b>	Spring Door Safety
144 3	<b>4812 290 68153</b>	Holder,adjust. Door Safety
190 0	<b>4812 460 68527</b>	Door bellow
190 1	<b>4812 492 18017</b>	Strap
190 2	<b>4819 530 58059</b>	Ring
200 1	<b>4819 418 18378</b>	Tub front
200 2	<b>4819 418 18377</b>	Tub non removable 600/1000
200 4	<b>4812 290 88054</b>	Clamp for tub WH
220 0	<b>4819 418 18333</b>	Drum
271 0	<b>4812 358 18056</b>	V-ribbed belt WH 1250 J5
272 0	<b>4812 528 58027</b>	Pulley DIAM.298
292 0	<b>4812 530 58101</b>	Gasket Tub
301 0	<b>4819 453 28301</b>	Control panel
303 0	<b>4819 498 78408</b>	Handle
331 0	<b>4819 412 58752</b>	Knob,timer
331 1	<b>4812 413 18198</b>	Adapter Button
332 0	<b>4812 410 28562</b>	Push button
335 0	<b>4819 412 58753</b>	Knob thermostat
354 1	<b>4819 134 48497</b>	Pilot lamp
401 0	<b>4819 361 58259</b>	Motor
421 0	<b>4819 121 18271</b>	Interf.filter
430 0	<b>4812 360 18383</b>	Pump
451 0	<b>4819 259 28932</b>	Heating element
490 0	<b>4819 321 18136</b>	Cable,mains 2m
490 1	<b>4812 321 28367</b>	Strain relief
504 0	<b>4819 310 39767</b>	Timer Kit 1B EC4526.01
554 0	<b>4819 282 48313</b>	Thermostat
571 0	<b>4812 271 28375</b>	Valve,magnet Single
581 0	<b>4812 271 28381</b>	Pressostat EATON
620 1	<b>4819 410 29005</b>	Switch Options N.C.
621 0	<b>4819 410 29004</b>	Switch ON/OFF

Pos. No.	12NC Code	Description
621 2	<b>4819 410 29006</b>	Switch spin options
630 0	<b>4812 280 58019</b>	Door lock
701 0	<b>4819 530 28848</b>	Hose, inlet
701 1	<b>4819 466 69704</b>	Gasket and filter
702 0	<b>4819 530 29019</b>	Hose intern
707 0	<b>4812 526 48031</b>	Nozzle Distribution
707 1	<b>4812 526 48028</b>	Nozzle
708 1	<b>4812 530 48143</b>	Bend
711 0	<b>4812 418 88026</b>	Dispenser WH-4CH
712 0	<b>4812 418 78047</b>	Drawer
713 0	<b>4812 418 88028</b>	Flap Detergent Cont.
717 0	<b>4819 321 28092</b>	Bowden cable
717 1	<b>4812 321 38013</b>	Lever, Nozzle
717 2	<b>4812 321 38012</b>	Holder,adjust.
717 3	<b>4812 278 88007</b>	Slide
717 5	<b>4819 528 38444</b>	Cam
718 0	<b>4812 526 48032</b>	Siphon
718 1	<b>4812 418 88024</b>	Accessory
753 1	<b>4819 418 68234</b>	Chamber,air
754 0	<b>4812 530 28826</b>	Drainhose
754 1	<b>4812 530 28832</b>	Lock eco
754 2	<b>4812 530 28829</b>	Flange eco
760 0	<b>4819 480 58075</b>	Filter
760 1	<b>4812 418 68138</b>	Gasket Sieve / Rough
781 0	<b>4819 530 29032</b>	Hose,draining
783 0	<b>4812 530 28827</b>	Hose Pressostat
787 0	<b>4812 530 28813</b>	Hose
794 5	<b>4812 530 58095</b>	Gasket Air trap
901 0	<b>4819 401 18529</b>	Clamp,hose
901 2	<b>4819 401 18868</b>	Clamp,hose
901 3	<b>4812 401 18414</b>	Clamp,hose
902 0	<b>4812 290 88049</b>	Bracket
902 1	<b>4812 255 18204</b>	Holder Hose outlet
903 0	<b>4812 255 18205</b>	Holder Pressostat
903 5	<b>4812 290 88048</b>	Cable clamp
903 7	<b>4819 401 18823</b>	Clamp
903 9	<b>4812 290 88046</b>	Cable clamp
910 1	<b>4812 505 18368</b>	Nut M10
911 7	<b>4812 903 08014</b>	Screw M5x12
923 0	<b>4812 532 18024</b>	Washer
931 0	<b>4819 492 38139</b>	Spring Suspension
932 3	<b>4812 492 58022</b>	Spring Door Lock
932 5	<b>4812 492 38359</b>	Spring, Nozzle
941 0	<b>4812 520 28066</b>	Bearing,ball 6204
941 1	<b>4812 520 28002</b>	Bearing,ball 6203 2Z C3
952 0	<b>4819 466 69882</b>	Gasket thermostat
953 0	<b>4819 532 78224</b>	Ring
961 0	<b>4812 321 48004</b>	Cover
962 0	<b>4819 462 58403</b>	Cover
990 0	<b>4819 310 39227</b>	Mounting kit Weight top
990 1	<b>4819 310 39228</b>	Mounting kit Weight bottom
993 0	<b>4812 530 48017</b>	Bow
993 2	<b>4812 268 18015</b>	Lever,security
993 3	<b>4812 395 58004</b>	Tool

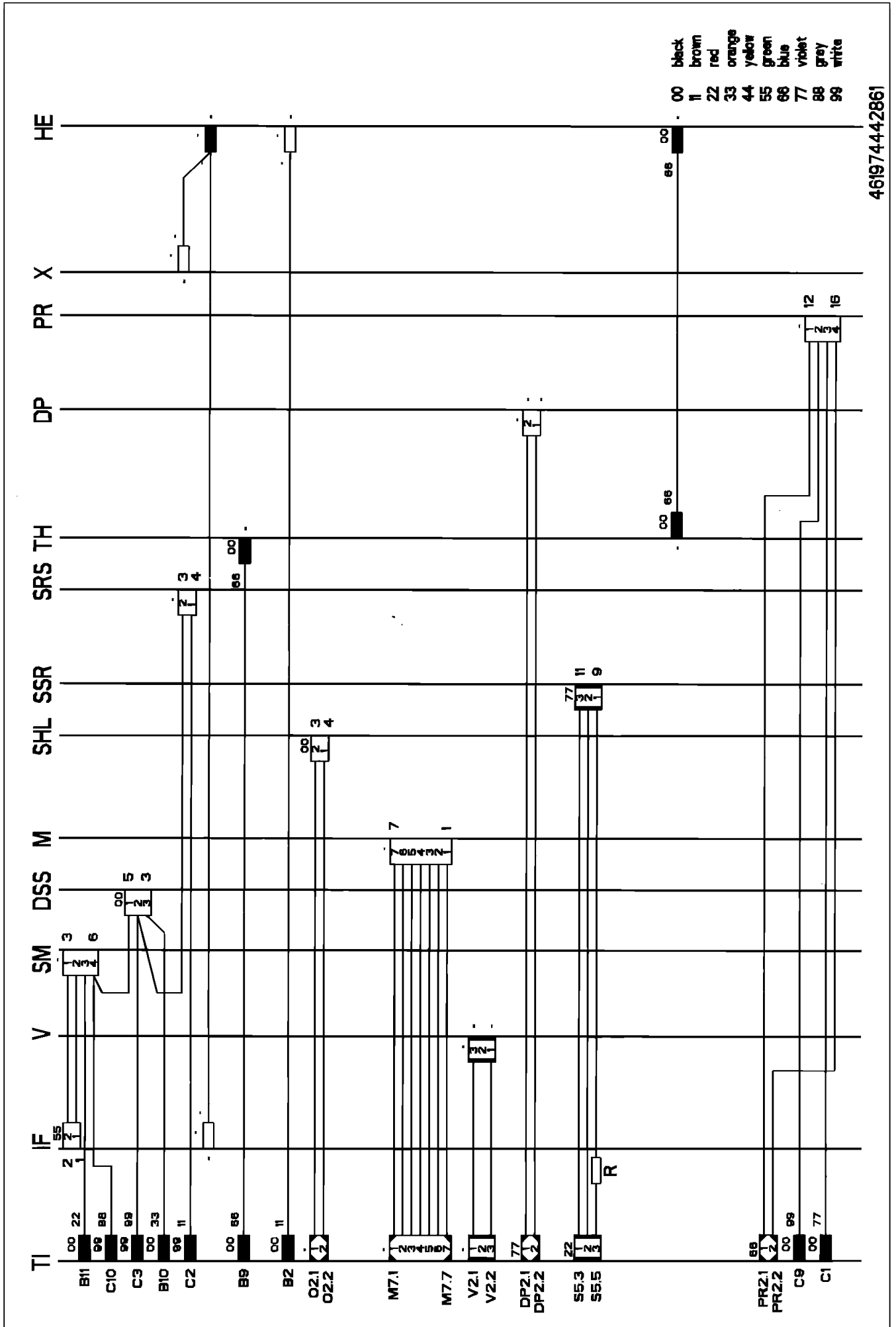
## Exploded view



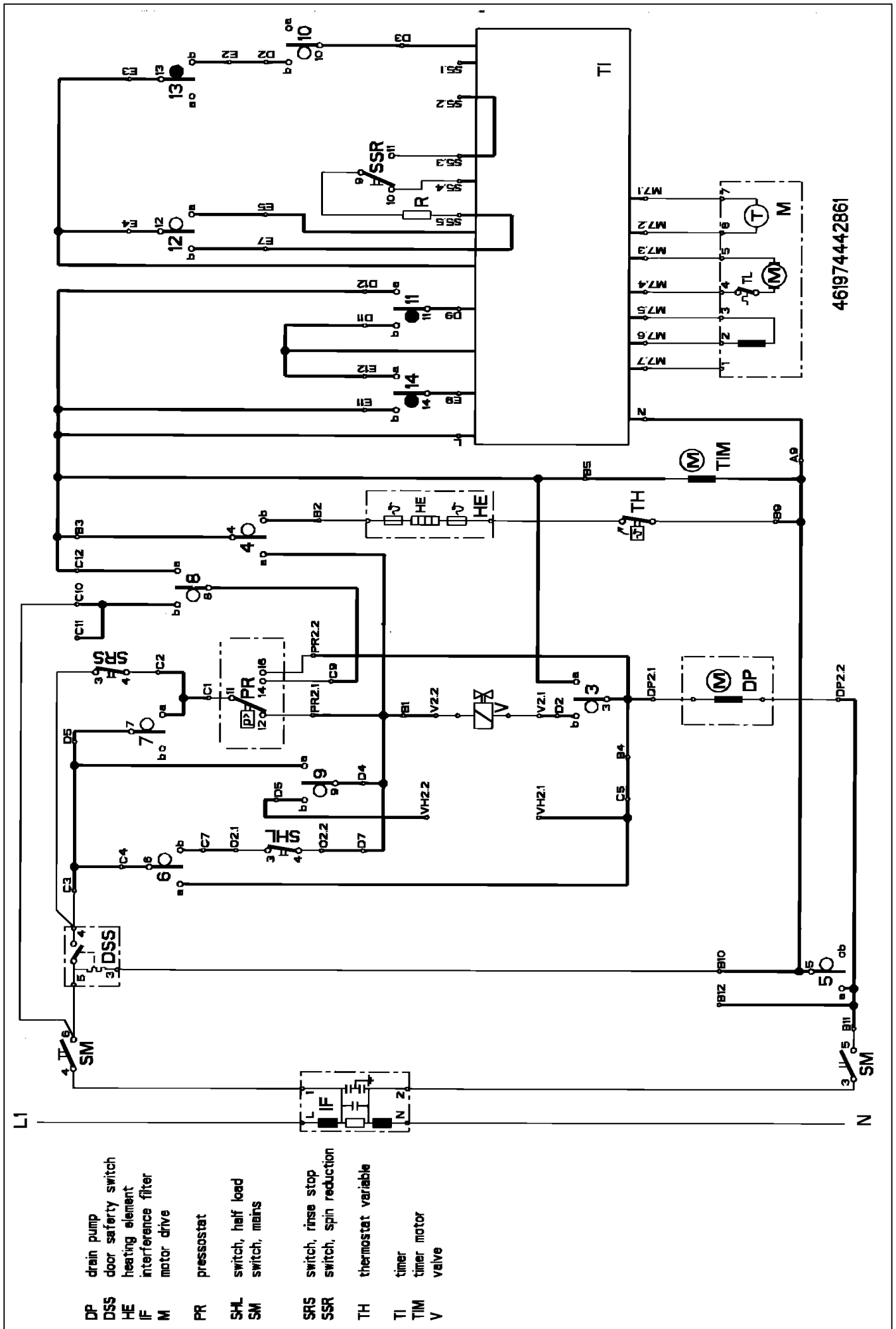
**Exploded view**



## Wiring diagram

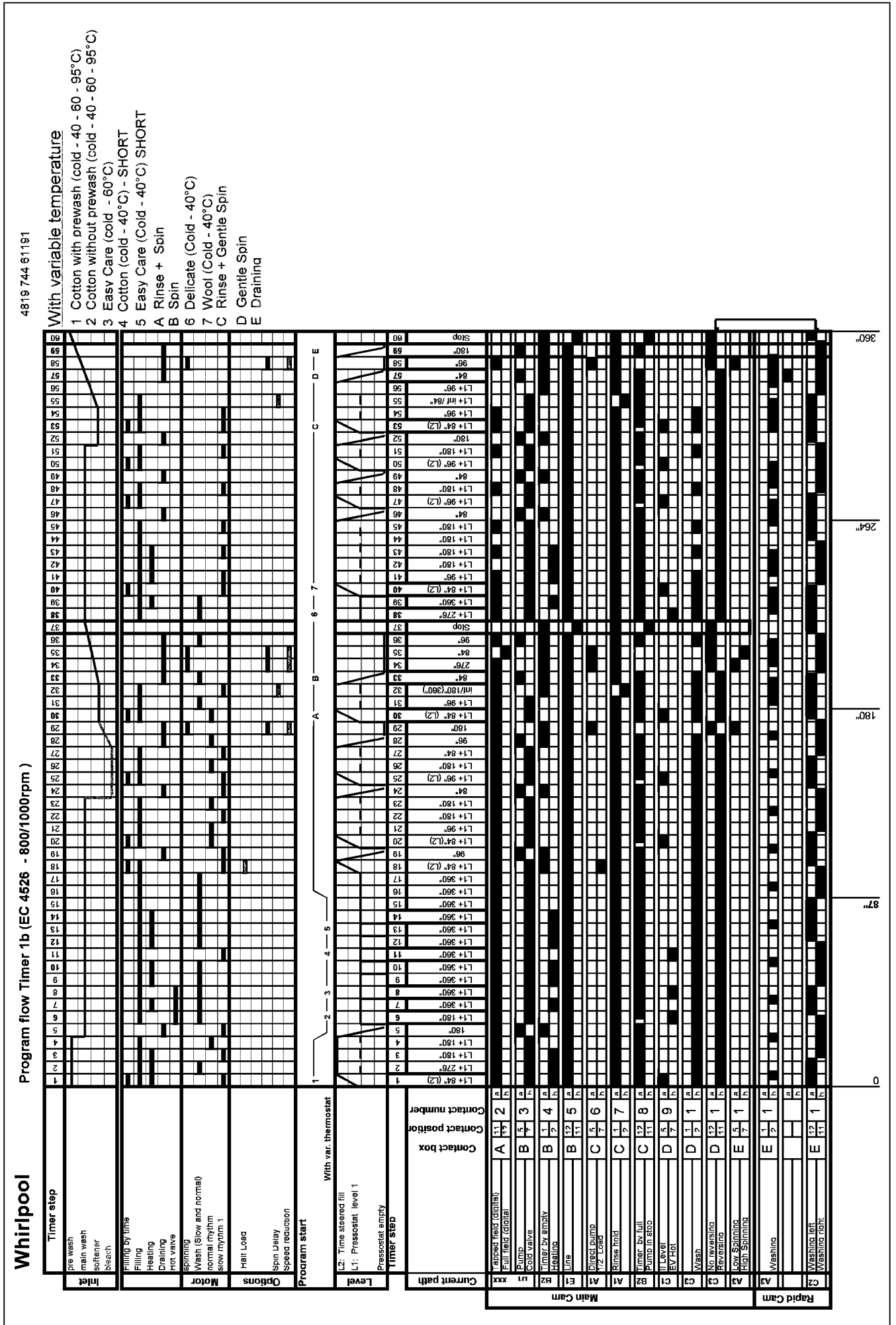


**Circuit diagram**





**Program diagram**



Text/Legend

**Timer 1b**

