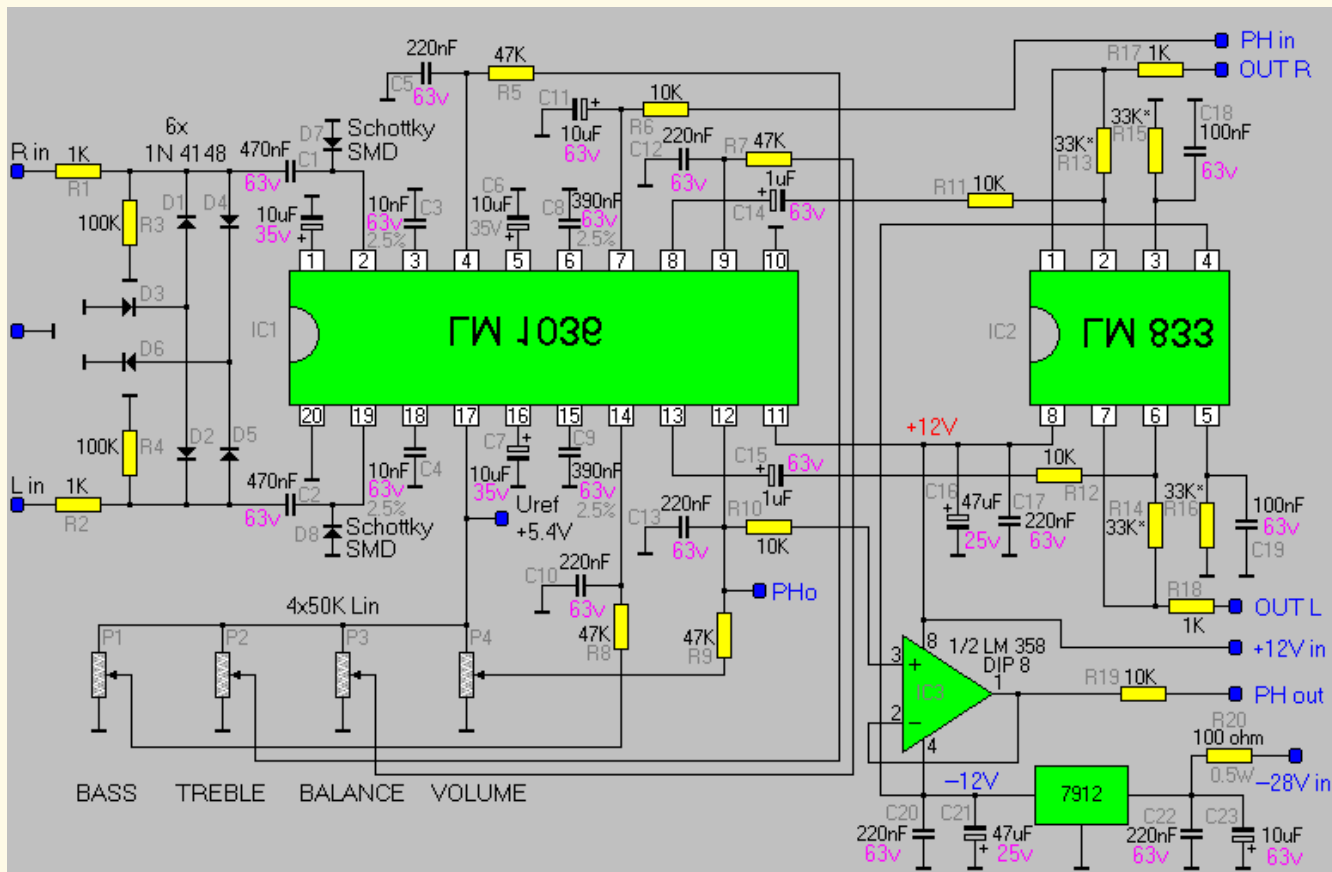
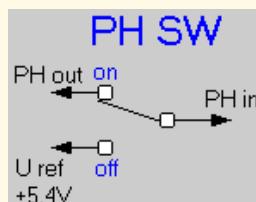




2 x 20...50 W AUDIO AMPLIFIER

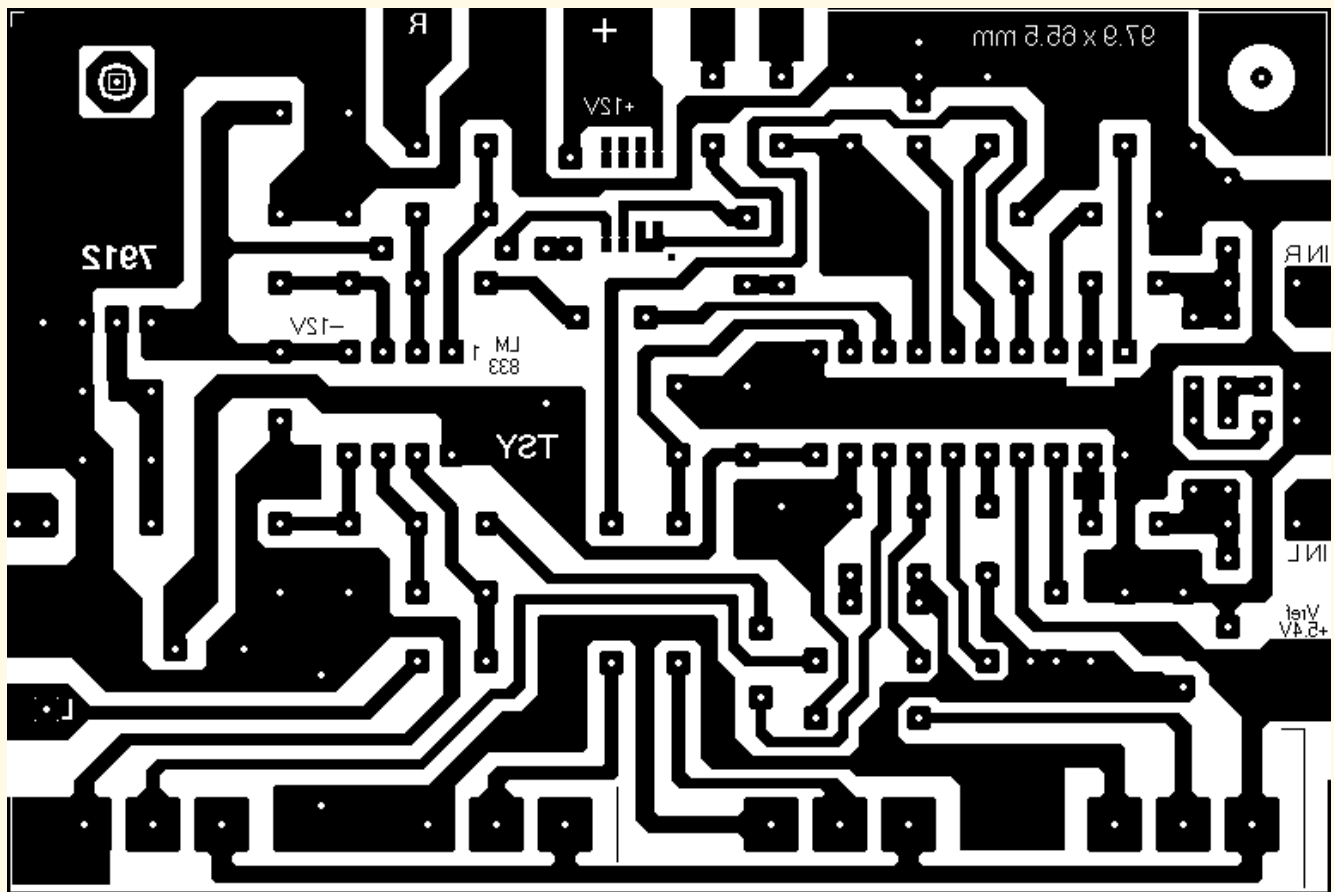
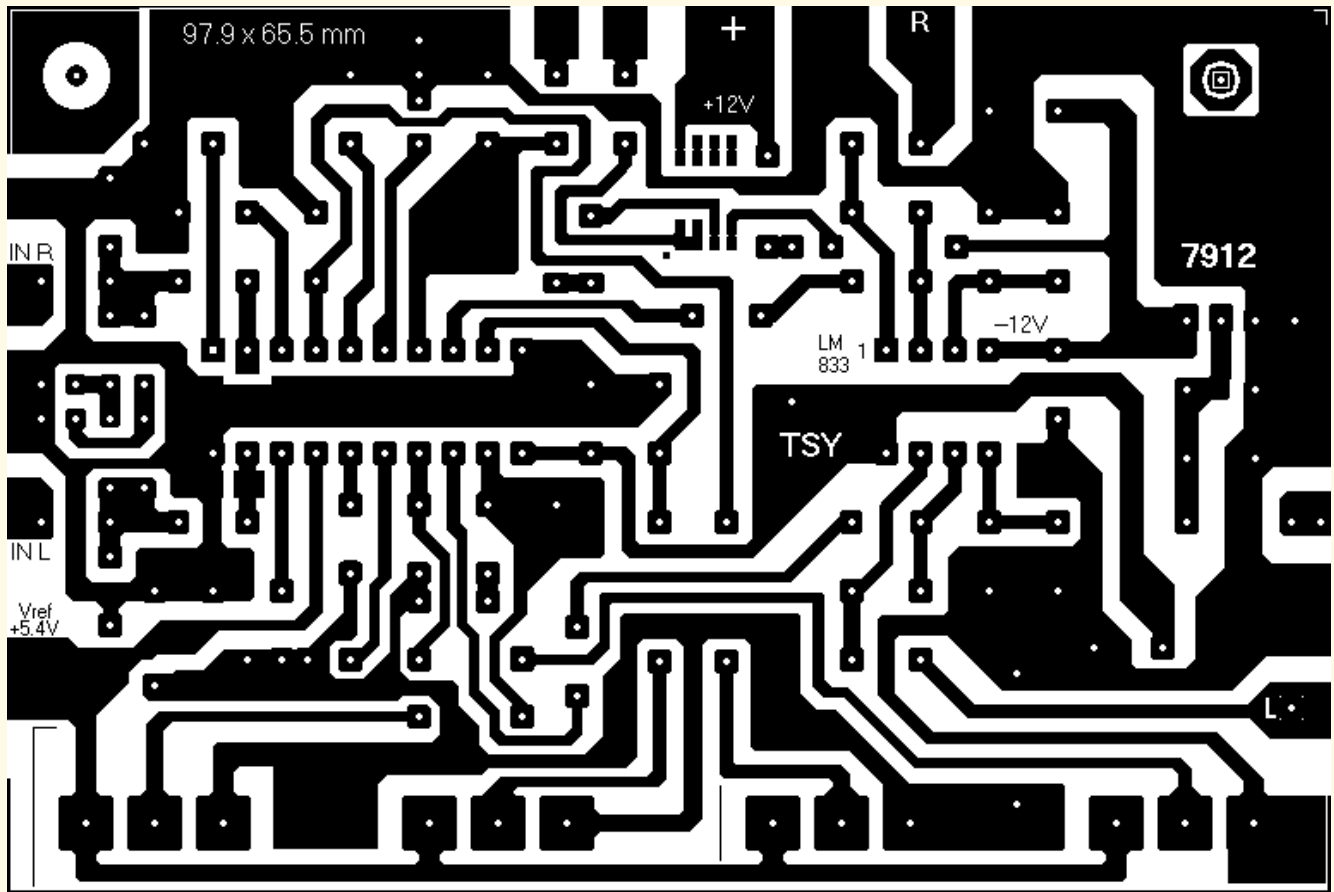


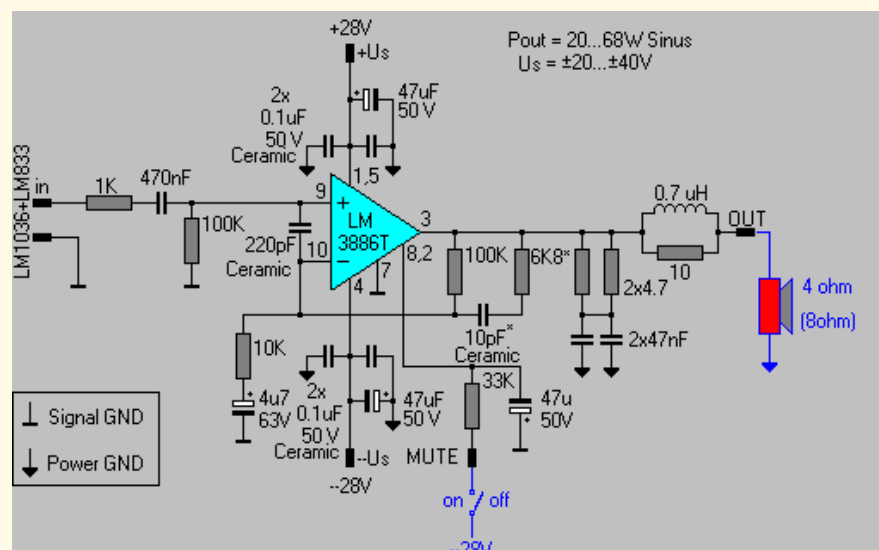
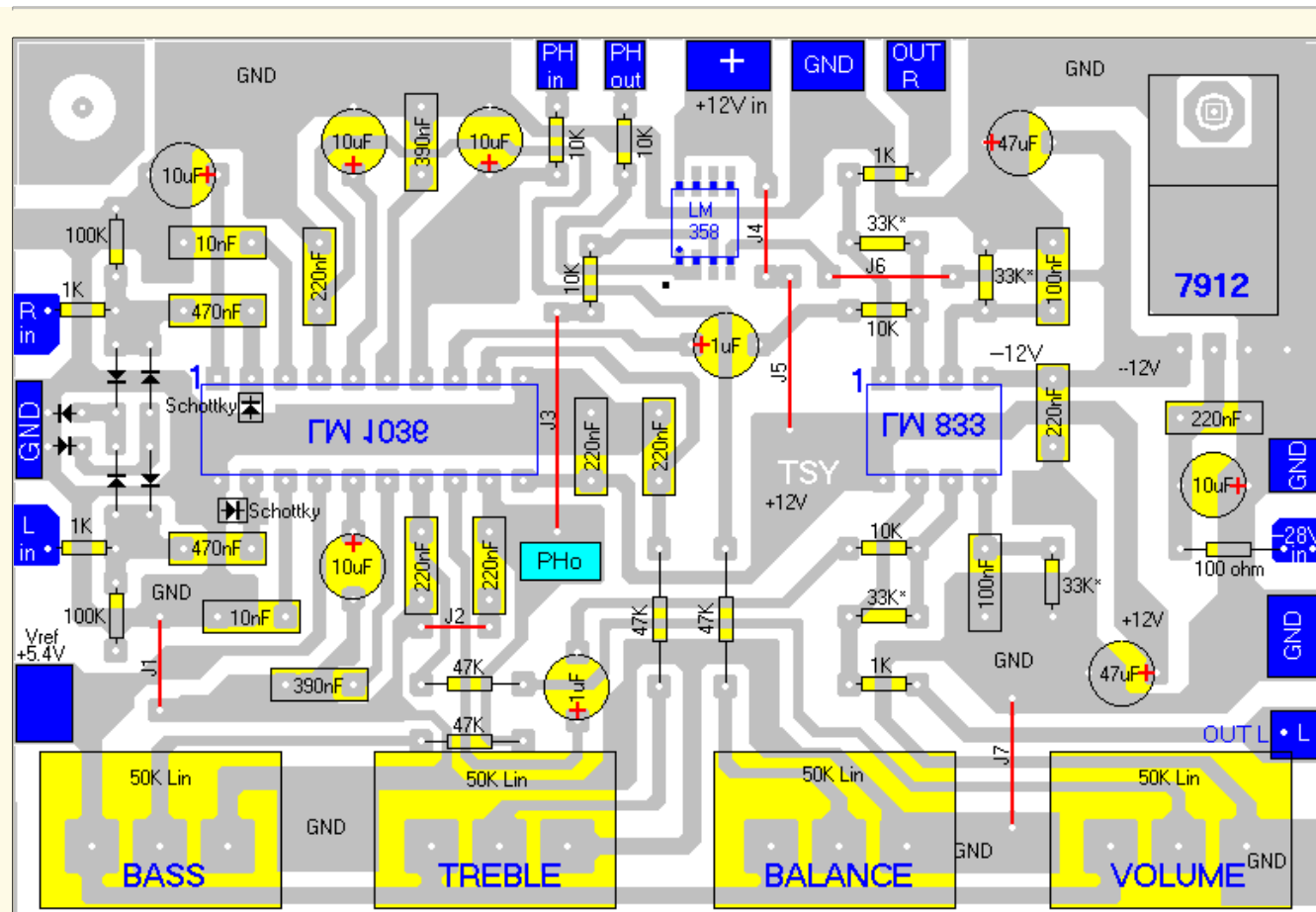
- * LM 358 is optional (R10, IC3, R19)
- * D1...D6 is optional
- * D7, D8 is 300-800 mA SMD type



Loudness compensation switch : +5.4V

* If LM358 is not used: PH SW is connected to PHo instead of PH out





MUTE SW is optional
 0.7uH = 15 turns D = 9..10 mm d = 1 mm Cu

