

RevNo	Revision note	Date	Signature	Checked
-------	---------------	------	-----------	---------

Port LEDs

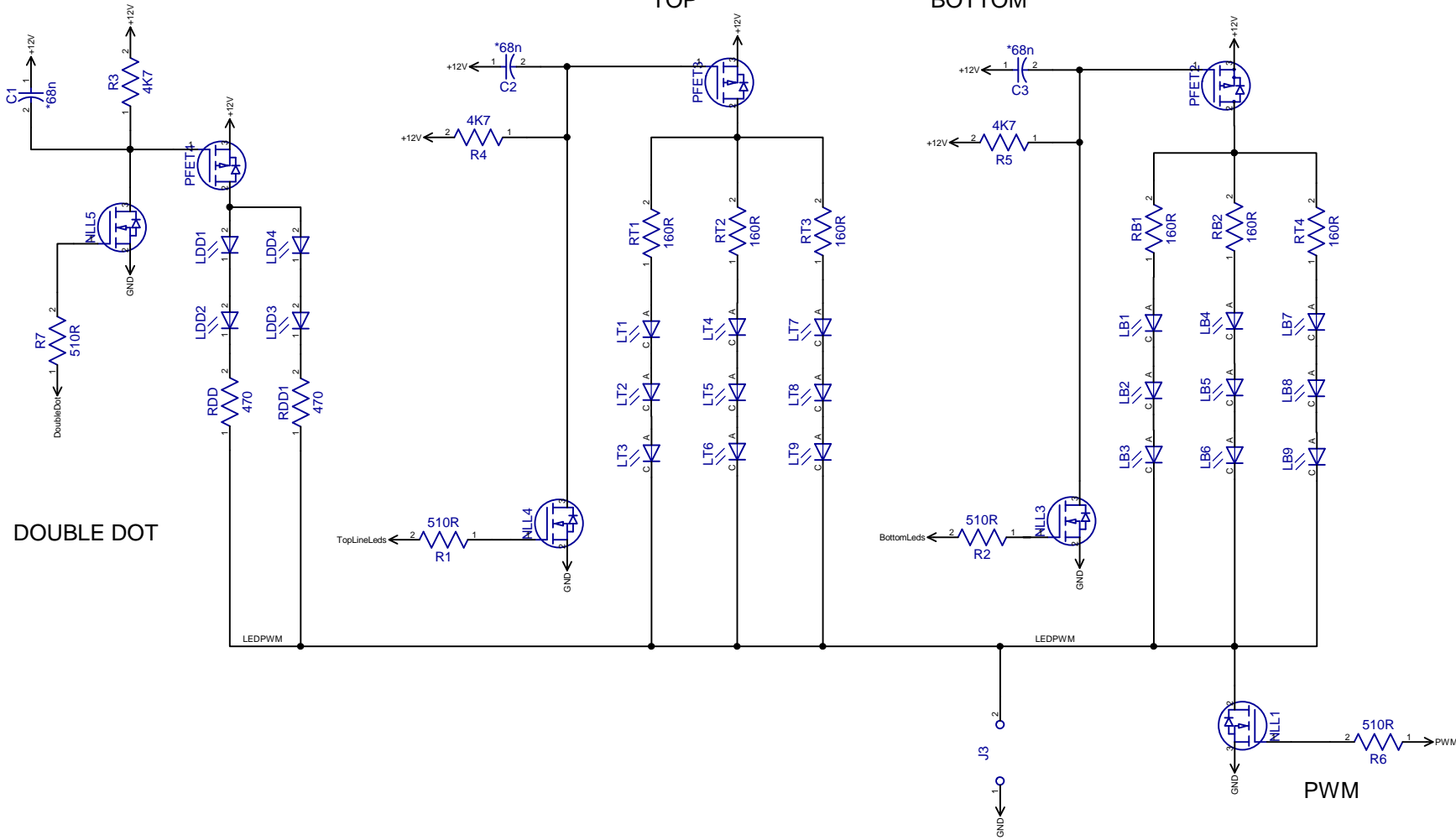
BusLeds

F  
E  
D  
C  
B  
A

F  
E  
D  
C  
B  
A

TOP

BOTTOM



DOUBLE DOT

PWM

Itemref	Quantity	Title/Name, designation, material, dimension etc			Article No./Reference	
Designed by	Checked by	Approved by - date	File name	Date	Scale	
		- 00/00/00		00/00/00	1:1	
				Edition	Sheet	
				0	1/1	

A

A