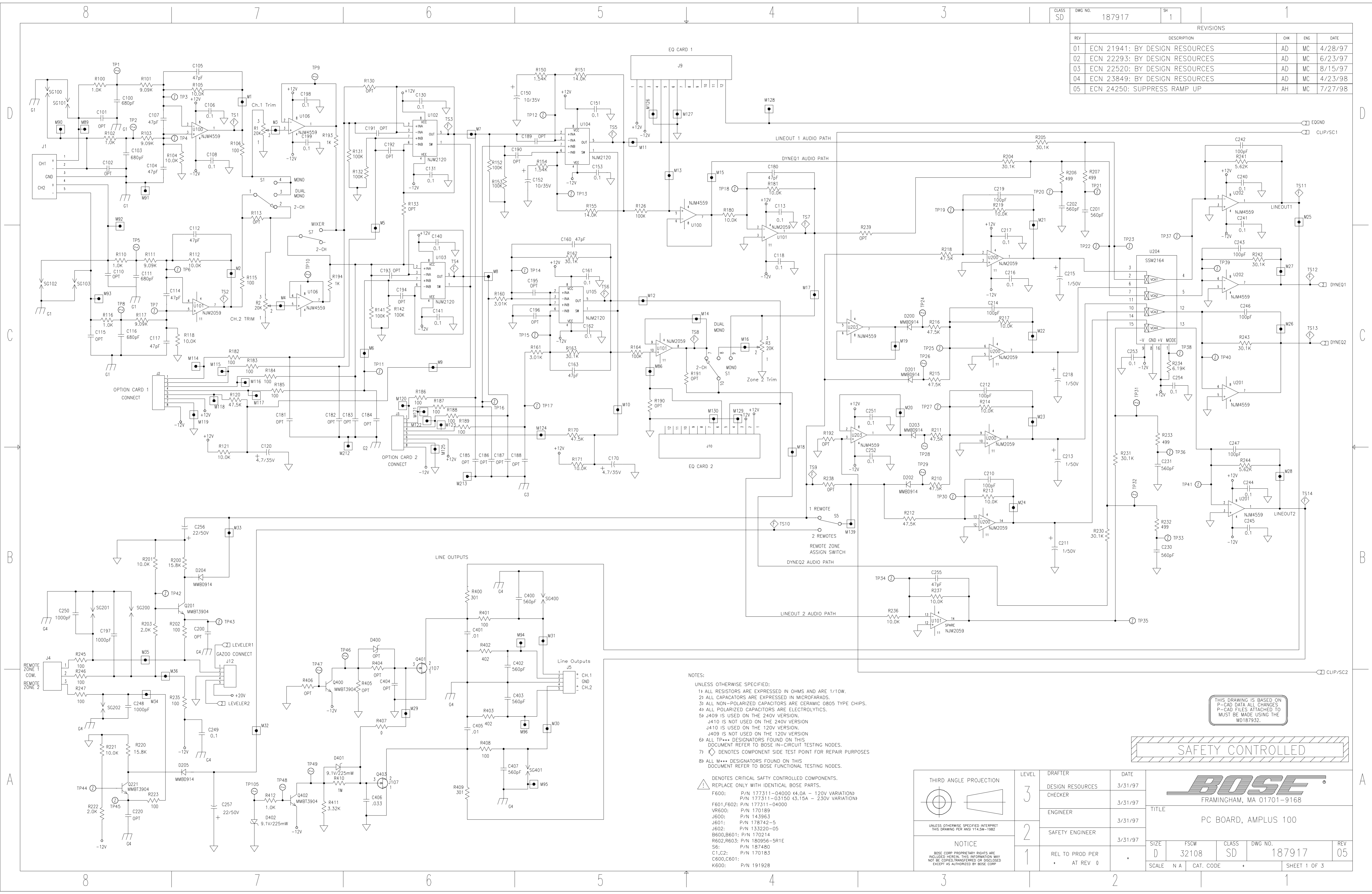


CLASS	DWG NO.	SR	REVISIONS				
SD	187917	1	REV	DESCRIPTION	CHK	ENG	DATE
			01	ECN 21941: BY DESIGN RESOURCES	AD	MC	4/28/97
			02	ECN 22293: BY DESIGN RESOURCES	AD	MC	6/23/97
			03	ECN 22520: BY DESIGN RESOURCES	AD	MC	8/15/97
			04	ECN 23849: BY DESIGN RESOURCES	AD	MC	4/23/98
			05	ECN 24250: SUPPRESS RAMP UP	AH	MC	7/27/98

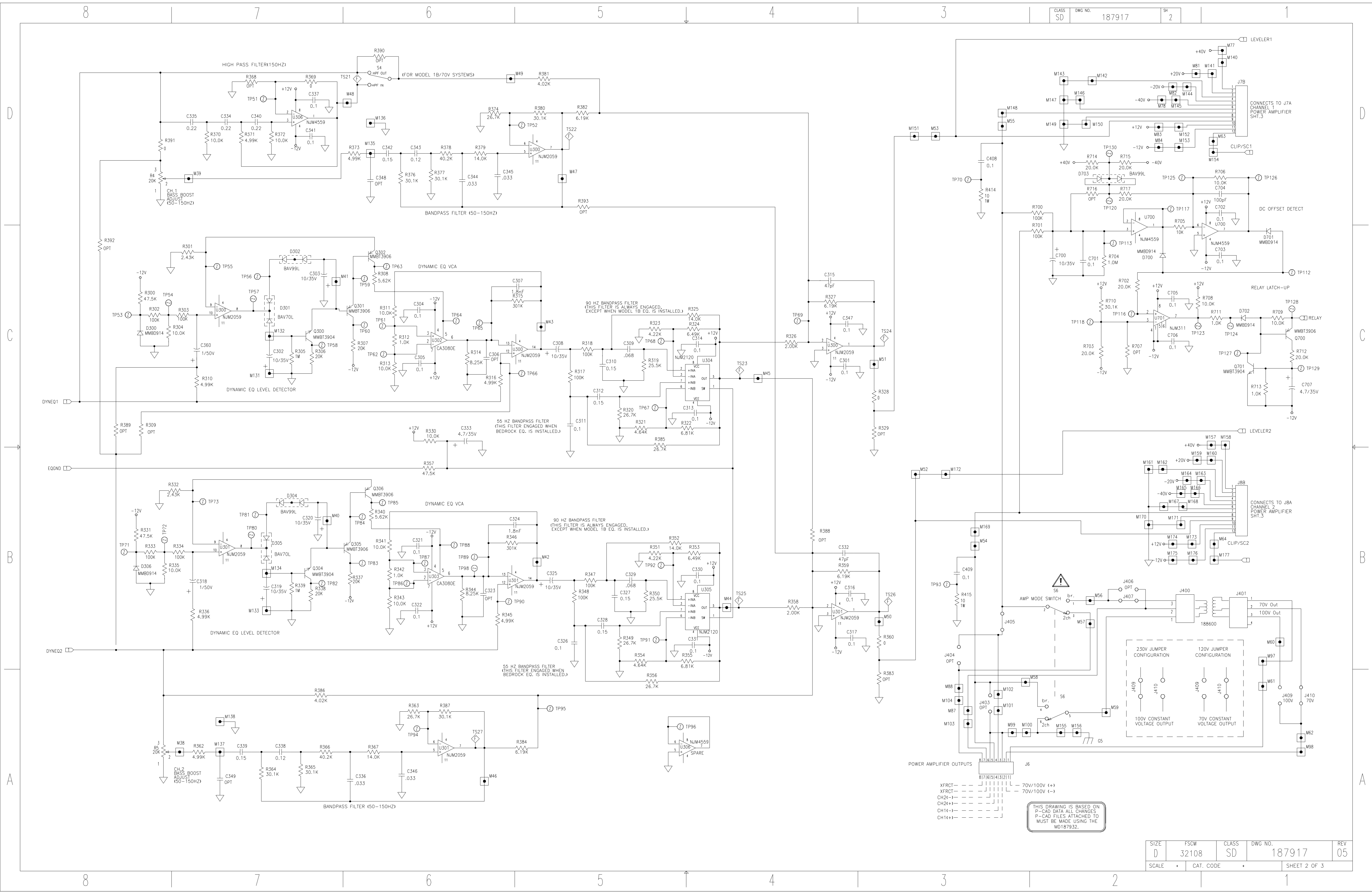


- NOTES:
- 1) ALL RESISTORS ARE EXPRESSED IN OHMS AND ARE 1/10W.
 - 2) ALL CAPACITORS ARE EXPRESSED IN MICROFARADS.
 - 3) ALL NON-POLARIZED CAPACITORS ARE CERAMIC 0805 TYPE CHIPS.
 - 4) ALL POLARIZED CAPACITORS ARE ELECTROLYTICS.
 - 5) J409 IS USED ON THE 240V VERSION.
 - 6) J410 IS NOT USED ON THE 120V VERSION.
 - 7) J409 IS NOT USED ON THE 120V VERSION.
 - 8) ALL TP*** DESIGNATORS FOUND ON THIS DOCUMENT REFER TO BOSE IN-CIRCUIT TESTING NODES.
 - 9) DENOTES COMPONENT SIDE TEST POINT FOR REPAIR PURPOSES
 - 10) ALL M*** DESIGNATORS FOUND ON THIS DOCUMENT REFER TO BOSE FUNCTIONAL TESTING NODES.
- DENOTES CRITICAL SAFETY CONTROLLED COMPONENTS.
 REPLACE ONLY WITH IDENTICAL BOSE PARTS.
 F600: P/N 177311-04000 (4.0A - 120V VARIATION)
 VR600: P/N 170189
 J600: P/N 143363
 J601: P/N 178742-5
 J602: P/N 133220-05
 B600,B601: P/N 170214
 R602,R603: P/N 180956-5R1E
 S6: P/N 187480
 C1,C2: P/N 170183
 C600,C601: P/N 191928
 K600: P/N 191928

THIS DRAWING IS BASED ON P-CAD DATA. ALL CHANGES P-CAD FILES ATTACHED TO MUST BE MADE USING THE MD187932.

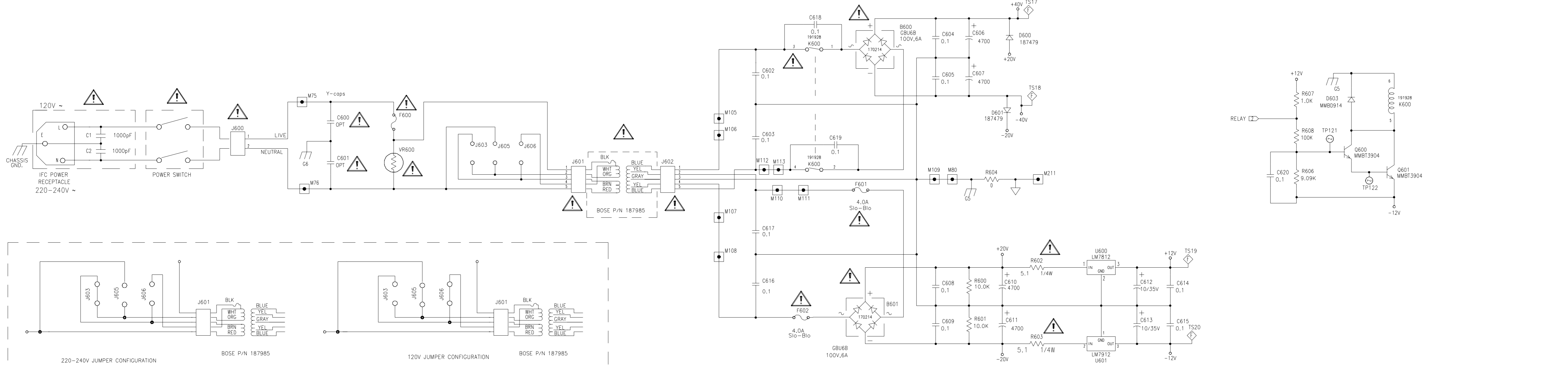
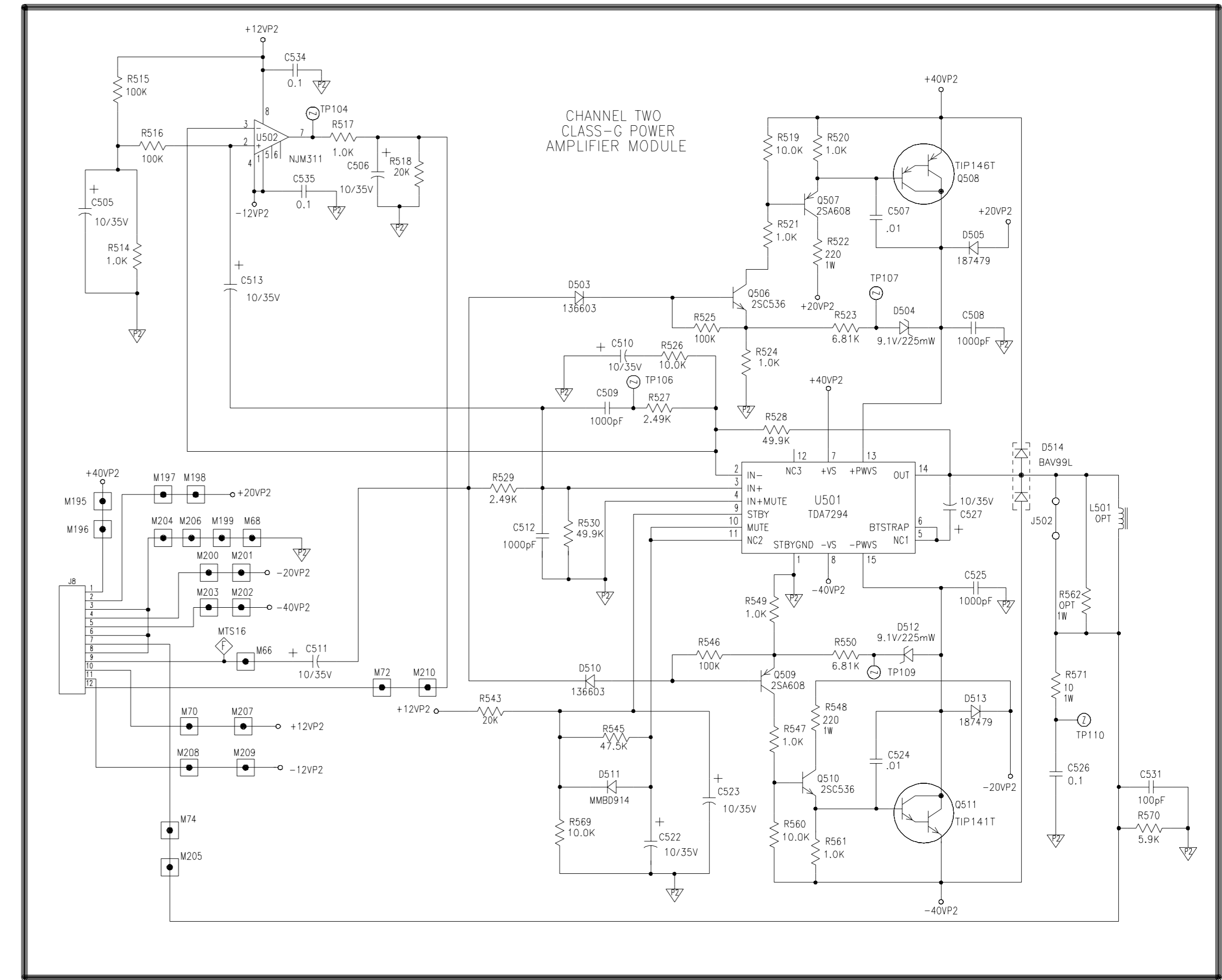
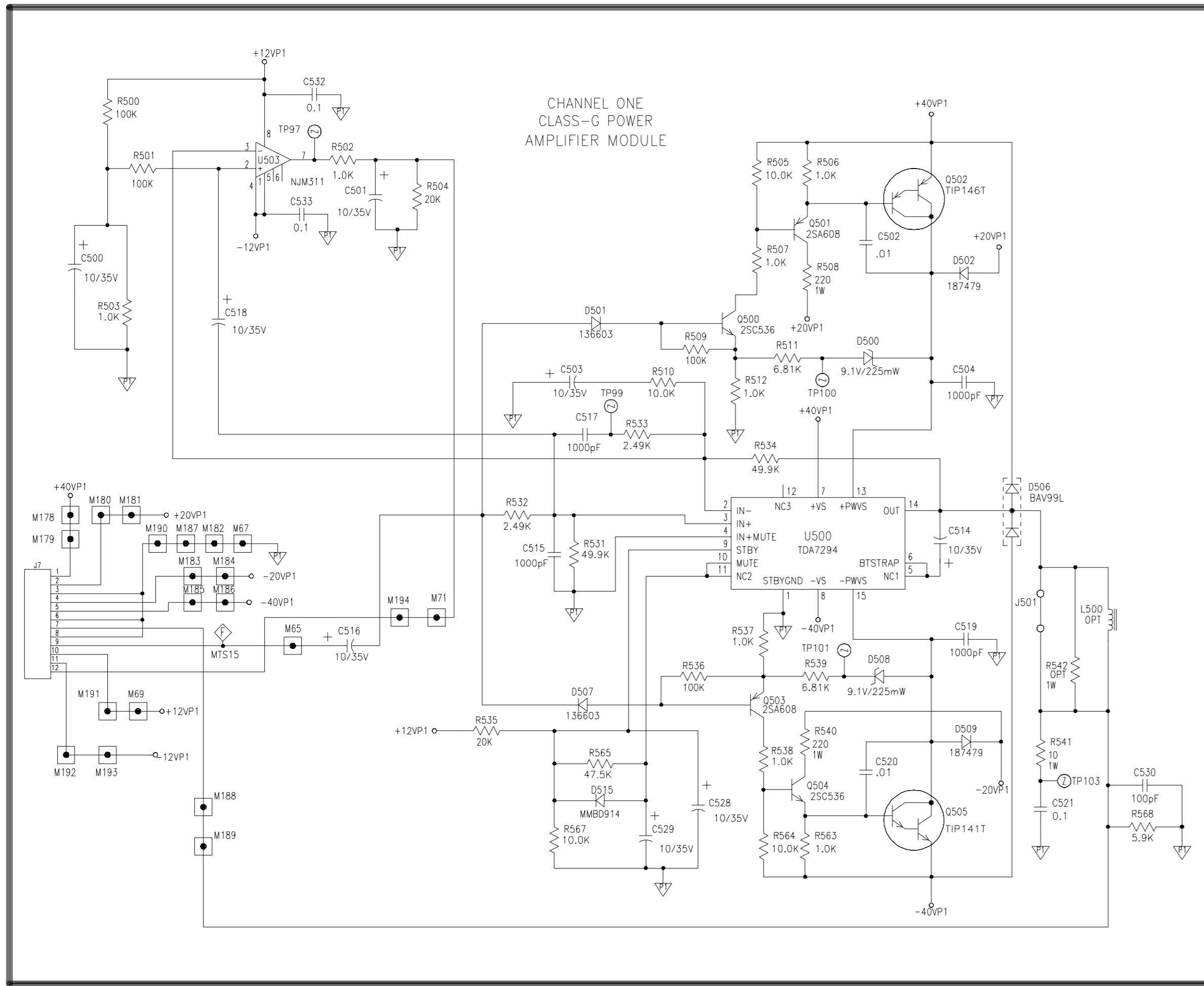
SAFETY CONTROLLED

THIRD ANGLE PROJECTION	LEVEL	DRAFTER	DATE	 FRAMINGHAM, MA 01701-9168
	3	DESIGN RESOURCES	3/31/97	
 UNLESS OTHERWISE SPECIFIED INTERPRET THIS DRAWING PER ANSI Y14.5M-1982	2	CHECKER	3/31/97	TITLE
	1	SAFETY ENGINEER	3/31/97	PC BOARD, AMPLUS 100
NOTICE	REL TO PROD PER	SCALE	FSCM	CLASS
BOSE CORP. PROPRIETARY RIGHTS ARE INCLUDED HEREIN. THIS INFORMATION MAY NOT BE COPIED, TRANSMITTED OR DISCLOSED EXCEPT AS AUTHORIZED BY BOSE CORP.	AT REV 0	N A	32108	SD
		CAT. CODE	187917	DWG NO.
				REV
				05
				SHEET 1 OF 3



THIS DRAWING IS BASED ON P-CAD DATA ALL CHANGES P-CAD FILES ATTACHED TO MUST BE MADE USING THE MD187932.

SIZE	FSCM	CLASS	DWG NO.	REV
D	32108	SD	187917	05
SCALE	CAT. CODE	SHEET 2 OF 3		



THIS DRAWING IS BASED ON P-CAD DATA ALL CHANGES P-CAD FILES ATTACHED TO MUST BE MADE USING THE M0187932.

SIZE D	FSCM 32108	CLASS SD	DWG NO. 187917	REV 05
SCALE	CAT. CODE	SHEET 3 OF 3		