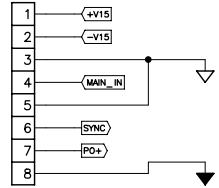


NSQI-730-03

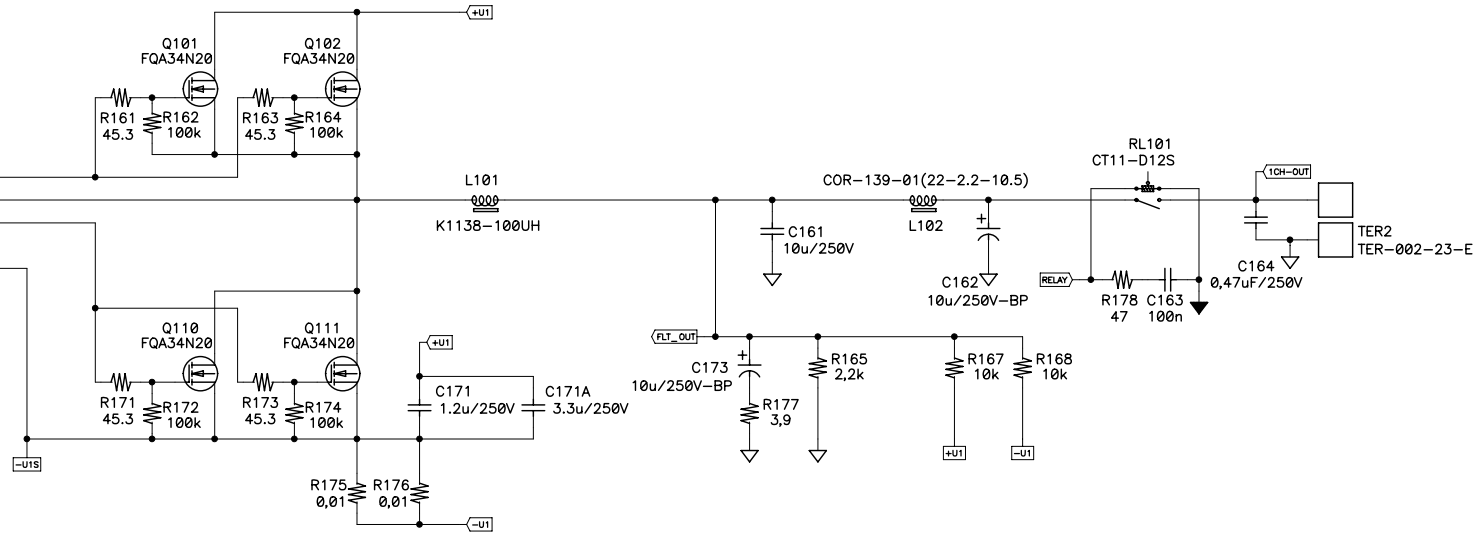
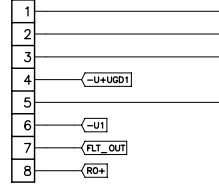
Mac Audio			
MODEL NAME .		Fearless One	
ADDRESS NO .		NA-S-310-12	
FILE NAME .		FearlessOne.SCH	
REV .		A	
DRAWING	CHECK	CHECK	APPROVED
J.S.H			
DATE			
2006.02.22			

MAIN AMP SECTION

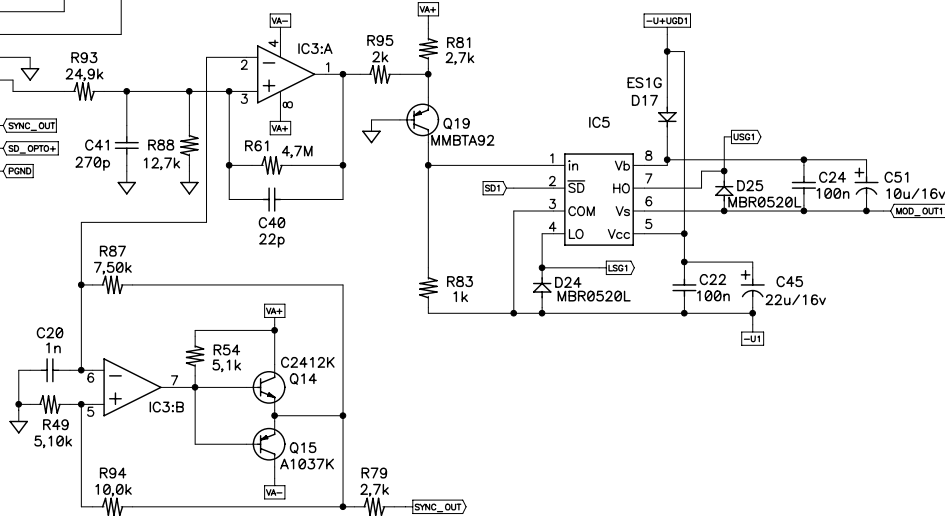
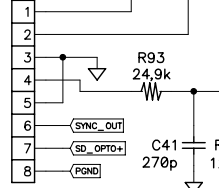
X1A



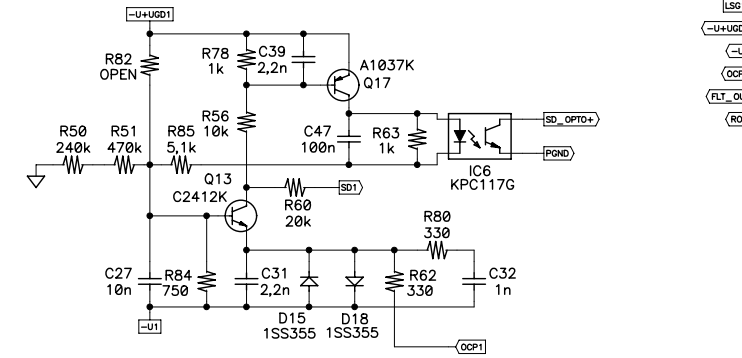
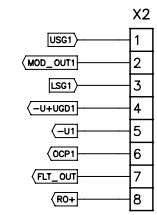
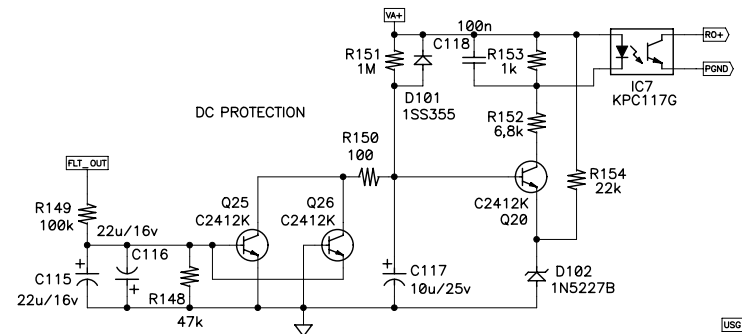
X2A

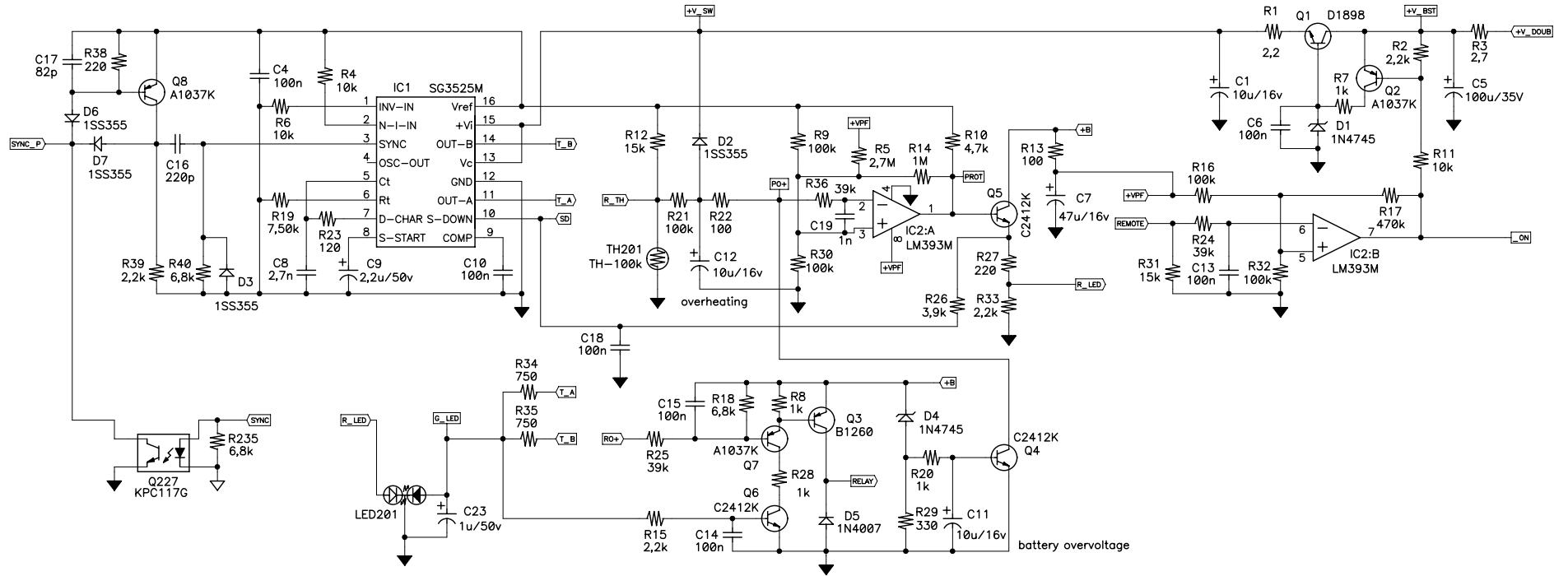


X1

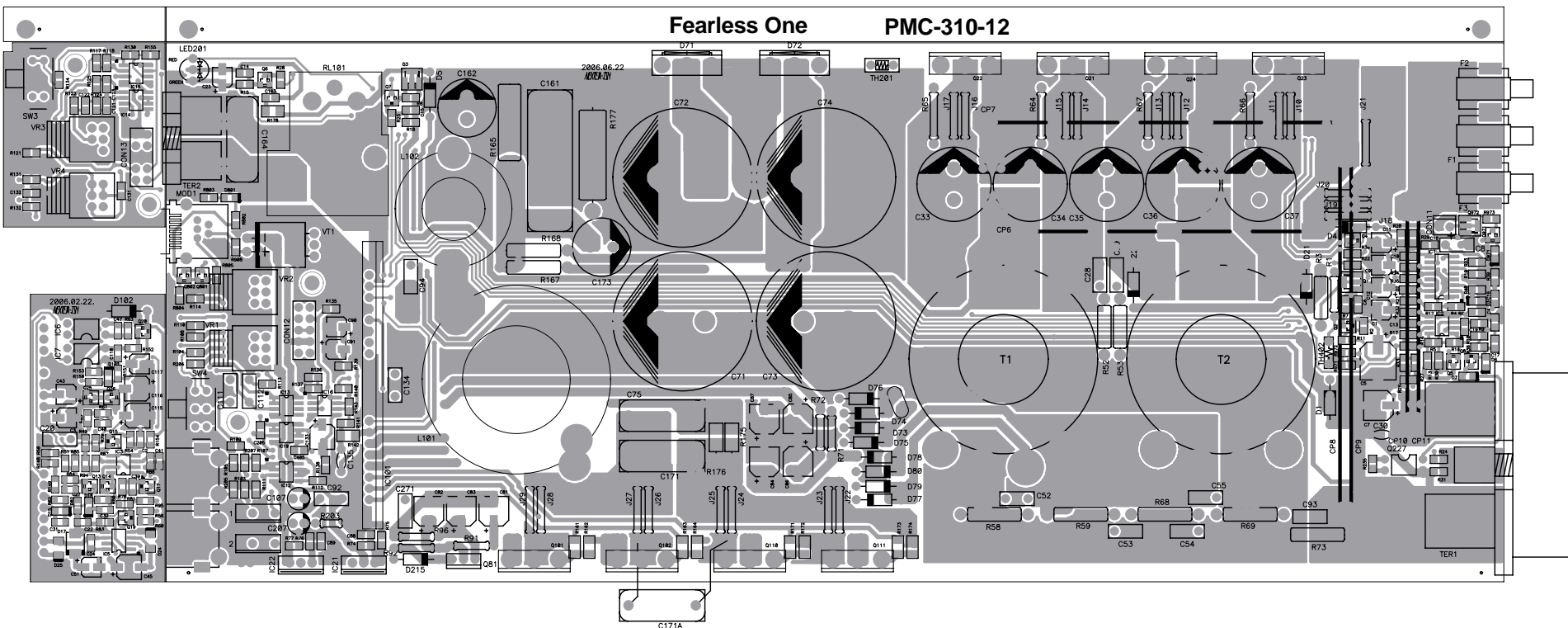


DC PROTECTION





Fearless One PMC-310-12



NSQI-730-06

				Mac Audio			
				MODEL NAME . Fearless One			
				ADDRESS NO . NA-P-310-12			
				FILE NAME . FearlessOne.PCB			
				REV . A			
DRAWING	CHECK	CHECK	APPROVED				
DATE .	J.S.H						
2006.02.22							

Mac Audio FEARLESS ONE

NO	CODE LOCATION	ITEM	SPEC		Q'TY
1 .	APBK-0001-BK	T/R SPRING "A"	L=38, t=0.6, BK		5.0000
2 .	APBK-0002-BK	T/R SPRING "B"	L=26, t=0.6, BK		1.0000
3 .	APBK-0007-BK	T/R SPRING "C"	L=11, t=0.6, BK		2.0000
4 .	APHS-0636-00	HEAT SINK	L=300mm	Mac Audio: Fearless One	1.0000
5 .	APPL-0519-00	FRONT PANEL	EG11.0t	Mac Audio: Fearless One	1.0000
6 .	APPL-0520-00	REAR PANEL	EG11.0t	Mac Audio: Fearless One	1.0000
7 .	XHPM-03+10MN for GND	PAN HEAD MACHINE	P.H.M 03x10 Ni		1.0000
8 .	XHPM-26+06MN for PCB+POST	PAN MACHINE SCREW	P.H.M 2.6x06 Ni		4.0000
9 .	XHWM-03W16MN for FAN	WRENCH HEAD MACHINE	W.H.M 03*16 Ni		2.0000
10 .	XHWT-03W08CN for PANEL(8)+TER(2)	WRENCH HEAD TAPPING	W.H.T 03x08 Ni (육각)		10.0000
11 .	XNHN-03YW for FAN	HEX NUT	M3 천연색		2.0000
12 .	XTLW-30HN for ACC'Y	"L" TYPE WRENCH	3.0mm Ni		1.0000
13 .	XTLW-40HN for ACC'Y	"L" TYPE WRENCH	4.0mm Ni		1.0000
14 .	YOVB-1602505 for ACC'Y+MANUAL	POLY BAG	160x250x0.05t		1.0000
15 .	YOVB-3005005	POLY BAG	300x500x0.05t		1.0000

Mac Audio FEARLESS ONE

NO	CODE LOCATION	ITEM	SPEC	Q'TY
	for SET			
16 .	CCHF-2012-101J C205,C405	CHIP CERAMIC CAP	2012-100pF/50V 5%	2.0000
17 .	CCHF-2012-102J C19,C32	CHIP CERAMIC CAP	2012-1000pF/50V 5%	2.0000
18 .	CCHF-2012-103J C27	CHIP CERAMIC	2012-10nF/50V 5%	1.0000
19 .	CCHF-2012-104J C2,C4,C6,C10,C13,C14,C15,C18,C22,C24,C47,C88,C89,C118,C121,C122,C123,C131,C163	CHIP CERAMIC CAP	2012-0.1uF/50V 5%	19.0000
20 .	CCHF-2012-220J C40	CHIP CERAMIC	2012-22pF/50V 5%	1.0000
21 .	CCHF-2012-221J C16	CHIP CERAMIC CAP	2012-220pF/50V 5%	1.0000
22 .	CCHF-2012-222J C31,C39	CHIP CERAMIC CAP	2012-2200pF/50V 5%	2.0000
23 .	CCHF-2012-271J C41	CHIP CERAMIC CAP	2012-270pF/50V 5%	1.0000
24 .	CCHF-2012-473J C132	CHIP CERAMIC CAP	2012-0.047uF/50V 5%	1.0000
25 .	CCHF-2012-820J C17	CHIP CERAMIC CAP	2012-82pF/50V 5%	1.0000
26 .	DIODE-1SS355 D2,D3,D6,D7,D15,D18,D101,D801,D971	CHIP DIODE	1SS355TE-17	9.0000
27 .	DIODE-ES1G D17	CHIP DIODE	ES1G	1.0000

Mac Audio FEARLESS ONE

NO	CODE LOCATION	ITEM	SPEC		Q'TY
28 .	DIODE-MBR0520L D24,D25	CHIP DIODE	MBR0520L		2.0000
29 .	IC-LM393 IC2, IC3	CHIP IC	LM393M(SO-8)		2.0000
30 .	IC-NJM072M IC12, IC13, IC14, IC15, IC16	OP AMP IC	NJM072M (SOP-8)		5.0000
31 .	IC-NJM4558M IC19	OP AMP IC	NJM4558M (SOP-8)		1.0000
32 .	IC-SG3525AP IC1	CHIP IC	SG3525AP (SOP-16)		1.0000
33 .	RES2012-1002 R94	CHIP RESISTOR	CHIP2012-10.0Kohm	1% RESISTOR	1.0000
34 .	RES2012-101 R13, R22, R150	CHIP RESISTOR	CHIP2012-100 ohm		3.0000
35 .	RES2012-102 R7, R8, R20, R28, R63, R78, R83, R107, R141, R153, R207, R908	CHIP RESISTOR	CHIP2012-1K ohm		12.0000
36 .	RES2012-103 R4, R6, R11, R56, R117, R130, R131, R132, R134, R155, R972, R973	CHIP RESISTOR	CHIP2012-10K ohm		12.0000
37 .	RES2012-104 R9, R16, R21, R30, R32, R149	CHIP RESISTOR	CHIP2012-100K ohm		6.0000
38 .	RES2012-105 R14, R151, R802, R803	CHIP RESISTOR	CHIP2012-1M ohm		4.0000
39 .	RES2012-121 R23	CHIP RESISTOR	CHIP2012-120 ohm		1.0000

Mac Audio FEARLESS ONE

NO	CODE LOCATION	ITEM	SPEC	Q'TY	
40 .	RES2012-1272 R88	CHIP RESISTOR	CHIP2012-12.7Kohm	1% RESISTOR	1.0000
41 .	RES2012-152 R108,R110	CHIP RESISTOR	CHIP2012-1.5K ohm		2.0000
42 .	RES2012-153 R12,R31	CHIP RESISTOR	CHIP2012-15K ohm		2.0000
43 .	RES2012-1653 R804	CHIP RESISTOR	CHIP2012-165.0Kohm	1% RESISTOR	1.0000
44 .	RES2012-183 R118	CHIP RESISTOR	CHIP2012-18K ohm		1.0000
45 .	RES2012-202 R95	CHIP RESISTOR	CHIP2012-2K ohm		1.0000
46 .	RES2012-203 R60	CHIP RESISTOR	CHIP2012-20K ohm		1.0000
47 .	RES2012-220 R805	CHIP RESISTOR	CHIP2012-22 ohm		1.0000
48 .	RES2012-221 R27,R38	CHIP RESISTOR	CHIP2012-220 ohm		2.0000
49 .	RES2012-222 R2,R15,R33,R39,R104,R204	CHIP RESISTOR	CHIP2012-2.2K ohm		6.0000
50 .	RES2012-223 R103,R111,R112,R122,R154	CHIP RESISTOR	CHIP2012-22K ohm		5.0000
51 .	RES2012-243 R113,R114	CHIP RESISTOR	CHIP2012-24K ohm		2.0000
52 .	RES2012-244	CHIP RESISTOR	CHIP2012-240Kohm		1.0000

Mac Audio FEARLESS ONE

NO	CODE LOCATION	ITEM	SPEC	Q'TY	
	R50				
53 .	RES2012-2492 R93	CHIP RESISTOR	CHIP2012-24.9Kohm	1% RESISTOR	1.0000
54 .	RES2012-272 R79,R81	CHIP RESISTOR	CHIP2012-2.7K ohm		2.0000
55 .	RES2012-275 R5	CHIP RESISTOR	CHIP2012-2.7M ohm		1.0000
56 .	RES2012-302 R971	CHIP RESISTOR	CHIP2012-3K ohm		1.0000
57 .	RES2012-3300 R74,R77	CHIP RESISTOR	CHIP2012-330.0ohm	1% RESISTOR	2.0000
58 .	RES2012-331 R29,R62,R80	CHIP RESISTOR	CHIP2012-330 ohm		3.0000
59 .	RES2012-334 R140	CHIP RESISTOR	CHIP2012-330K ohm		1.0000
60 .	RES2012-3601 R75,R76	CHIP RESISTOR	CHIP2012-3.60Kohm	1% RESISTOR	2.0000
61 .	RES2012-392 R26	CHIP RESISTOR	CHIP2012-3.9K ohm		1.0000
62 .	RES2012-393 R24,R25,R36,R124,R125,R137	CHIP RESISTOR	CHIP2012-39K ohm		6.0000
63 .	RES2012-472 R10,R138,R139	CHIP RESISTOR	CHIP2012-4.7K ohm		3.0000
64 .	RES2012-473 R105,R135,R148,R205	CHIP RESISTOR	CHIP2012-47K ohm		4.0000

Mac Audio FEARLESS ONE

NO	CODE LOCATION	ITEM	SPEC		Q'TY
65 .	RES2012-474 R17,R51	CHIP RESISTOR	CHIP2012-470K ohm		2.0000
66 .	RES2012-475 R61,R143	CHIP RESISTOR	CHIP2012-4.7M ohm		2.0000
67 .	RES2012-5101 R49	CHIP RESISTOR	CHIP2012-5.10Kohm	1% RESISTOR	1.0000
68 .	RES2012-512 R54,R85	CHIP RESISTOR	CHIP2012-5.1K ohm		2.0000
69 .	RES2012-682 R18,R40,R136,R152,R235	CHIP RESISTOR	CHIP2012-6.8K ohm		5.0000
70 .	RES2012-7501 R19,R87	CHIP RESISTOR	CHIP2012-7.50Kohm	1% RESISTOR	2.0000
71 .	RES2012-751 R34,R35,R84	CHIP RESISTOR	CHIP2012-750 ohm		3.0000
72 .	RES2012-823 R121	CHIP RESISTOR	CHIP2012-82K ohm		1.0000
73 .	RES3216-104 R162,R164,R172,R174	CHIP RESISTOR	CHIP3216-100Kohm		4.0000
74 .	RES3216-4532 R161,R163,R171,R173	CHIP RESISTOR	CHIP3216-45.3ohm	1% RESISTOR	4.0000
75 .	RES3216-470 R178	CHIP RESISTOR	CHIP3216-47ohm		1.0000
76 .	RES3216-683 R142	CHIP RESISTOR	CHIP3216-68Kohm		1.0000

Mac Audio FEARLESS ONE

NO	CODE LOCATION	ITEM	SPEC		Q'TY
77 .	TR-2SA1037K Q2, Q7, Q8, Q15, Q17	CHIP TRANSISTOR	2SA1037K		5.0000
78 .	TR-2SB1260 Q3, Q972	CHIP TRANSISTOR	2SB1260		2.0000
79 .	TR-2SC2412K Q4, Q5, Q6, Q13, Q14, Q20, Q25, Q26, Q801, Q802, Q971	CHIP TRANSISTOR	2SC2412K		11.0000
80 .	TR-2SD1898 Q1	CHIP TRANSISTOR	2SD1898		1.0000
81 .	CCEF-473SL-T C30	CERAMIC CAPACITOR	0.047uF/50V 5% SL *5	TAPPING	1.0000
82 .	CCEF-820SL-T C135	CERAMIC CAPACITOR	82pF/50V 5% SL *5	TAPPING	1.0000
83 .	CMAI-272J-T C8	MYLAR CAPACITOR	0.0027uF/100V 5%	TAPPING	1.0000
84 .	CMFG-102-2572-T C20	MPF CAPACITOR	0.001uF/63V 5%	TAPPING 7.2x6.5x2.5	1.0000
85 .	CMFG-104-2572-T C92, C93, C94, C271	MPF CAPACITOR	0.1uF/63V 5%	TAPPING 7.2x6.5x2.5	4.0000
86 .	CMFG-222-2572-T C134	MPF CAPACITOR	0.0022uF/63V 5%	TAPPING 7.2x6.5x2.5	1.0000
87 .	CMFG-224-3572-T C111, C112	MPF CAPACITOR	0.22uF/63V 5%	TAPPING 7.2x6.5x3.5	2.0000
88 .	CMFG-472-2572-T C28, C29, C52, C53, C54, C55	MPF CAPACITOR	0.0047uF/63V 5%	TAPPING 7.2x6.5x2.5	6.0000
89 .	DIODE-1N4007	DIODE	1N4007		1.0000

Mac Audio FEARLESS ONE

NO	CODE LOCATION	ITEM	SPEC	Q'TY
	D5			
90 .	DIODE-1N4744 D215	ZENER DIODE	1N4744 15V 1W	1.0000
91 .	DIODE-1N4745 D1,D4	ZENER DIODE	1N4745 16V 1W	2.0000
92 .	DIODE-1N5227 D102	ZENER DIODE	1N5227 3.6V/0.5W	1.0000
93 .	RES1/2W-100M R71,R72	RESISTOR	RES 1/2W MINI 10 ohm	2.0000
94 .	RES1/2W-330M R64,R65,R66,R67	RESISTOR	RES 1/2W MINI 33ohm	4.0000
95 .	RES1/4-000 J10,J11,J12,J13,J14,J15,J16,J17,J18,J19,J20,J21,J22,J23,J24,J25,J26,J27,J28,J29	RESISTOR	RES 1/4W 0 ohm	20.0000
96 .	RES1/4-100 R91	RESISTOR	RES 1/4W 10 ohm	1.0000
97 .	RES1/4-222 R92	RESISTOR	RES 1/4W 2.2K ohm	1.0000
98 .	RES1/4-223 R96	RESISTOR	RES 1/4W 22K ohm	1.0000
99 .	RES1/4-2R2 R1	RESISTOR	RES 1/4W 2.2ohm	1.0000
100 .	RES1/8-223 R203	RESISTOR	RES 1/8W 22K ohm	1.0000
101 .	RES1W-2R7M R3,R52,R53,R58,R59,R68,R69	RESISTOR	RES 1W MINI 2.7 ohm	7.0000

Mac Audio FEARLESS ONE

NO	CODE LOCATION	ITEM	SPEC		Q'TY
102 .	BART-248-03 CP10,CP11	COPPER TRACE	1.6t 48mm	1-0-0-1	2.0000
103 .	BART-264-03 CP6	COPPER TRACE	1.6t 64mm	1-0-1-0-1	1.0000
104 .	BART-280-08 CP7	COPPER TRACE	1.6t 80mm	1-0-1-0-0-1	1.0000
105 .	BART-280-10 CP8,CP9	COPPER TRACE	1.6t 80mm	1-0-0-0-0-1	2.0000
106 .	CMEM-474K-T C164	METAL CAPACITOR	0.47uF/250V 10%	BULK	1.0000
107 .	CMFM-106-103120 C161	MPF CAPACITOR	10 uF/250V 5%	BULK 31x20x10	1.0000
108 .	CMFM-125-71714B C75,C171	MPF CAPACITOR	1.2 uF/250V 5%	BULK 17x14x7	2.0000
109 .	CMFM-335-102618 C171A	MPF CAPACITOR	3.3 uF/250V 5%	BULK 26x18x10	1.0000
110 .	COIL-COR139-01 L102	RING CHOKE COIL	*22-2.2x10.5T		1.0000
111 .	COIL-COR162-01 L101	RING CHOKE COIL	K1138x2 (BLUE)	100UH	1.0000
112 .	CORE-RING-40 L101,T1,T2	CORE RING	*40x3T		3.0000
113 .	DIODE-U30D20A D72	FAST RECOVERY	U30D20A		1.0000

Mac Audio FEARLESS ONE

NO	CODE LOCATION	ITEM	SPEC	Q'TY	
114 .	DIODE-U30D20C D71	FAST RECOVERY	U30D20C	1.0000	
115 .	FHD-003-01 F1,F2,F3	FUSE HOLDER	DFK-08053	1.0000	
116 .	IC-LM317T IC21	REGULATOR IC	LM317T	1.0000	
117 .	IC-LM337T IC22	REGULATOR IC	LM337T (TO220)	1.0000	
118 .	LDR-LT99-11 VT1	LDR	LT 99.11	1.0000	
119 .	LED-SPR39MV LED201	LED *3 2COLOR	SPR39MV	1.0000	
120 .	PAD-HF425-01 30mm (IC21, IC22)	SILICON PAD	길이:10mm 높이:23mm	3.0000	
121 .	PHAU03-100-08A	PIN HEADER	PHAU03-100-08A	2.54mm 8PIN 1열 ANGLE	2.0000
122 .	RELAY-CT11D12S RL101	RELAY	CT11-D12S	RA-A12S	1.0000
123 .	RES2W-102M R73	RESISTOR	RES 2W MINI 1K ohm	1.0000	
124 .	RES2W-103M R167,R168	RESISTOR	RES 2W MINI 10Kohm	2.0000	
125 .	RES3W-222 R165	RESISTOR	RES 3W 2.2K ohm	1.0000	
126 .	RES5W-3R9WIRE R177	RESISTOR	RES 5W 3.9 ohm WIRE	6mm FORMING/R FORMING	1.0000

Mac Audio FEARLESS ONE

NO	CODE LOCATION	ITEM	SPEC	Q'TY
127 .	RES5W-R01 R175,R176	SHUNT RESISTOR	RES 5W 0.01 ohm 10mm	2.0000
128 .	SWL-2C2P-05 SW3,SW4	SLIDE SWITCH	SK-22H02-G-G 9mm	2.0000
129 .	T-CLAD-2444-10 Q101-Q102, Q110-Q111, D71-D72, Q21-Q22, Q23-Q24	T-CLAD	24x44x1.0t TO-3P	5.0000
130 .	TEL-JACK-005 MOD1	PHONE JACK	623PB-6-BLACK	1.0000
131 .	TH-E-150K TH402	THERMISTOR	150K NON LUG	1.0000
132 .	TH-M-100K TH201	THERMISTOR	100K 디곳형	1.0000
133 .	TPH04-240-10A CON13	PIN HEADER	TPH04-240-10A	1.0000
134 .	TRANS-PTS268-01 T2	POWER TRANS	*40 5T/13T	1.0000
135 .	TRANS-PTS282-01 T1	POWER TRANS	*40 5T/13T/9T	1.0000
136 .	VR09-2063 VR1	MAIN VOLUME	15SK 15A 50Kohm 2런 RV096 GB C41 GOLD KNOB	1.0000
137 .	VR09-2065 VR3	MAIN VOLUME	15SK 15C 10Kohm 2런 RV096 GB C41 GOLD KNOB	1.0000
138 .	VR09-2066 VR2,VR4	MAIN VOLUME	15SK 15C 100Kohm 2런 RV096 GB C41 GOLD KNOB	2.0000

Mac Audio FEARLESS ONE

NO	CODE LOCATION	ITEM	SPEC		Q'TY
139 .	WAFER-LW0640-02 CON11	WAFER	LW0640-02 FAN	LW0640-02/M5045-02	1.0000
140 .	WAFER-TSS254-10 CON12	WAFER	TSS-254-10A	2.54mm 2열	1.0000
141 .	QPCB-FEARLESS	CARTON BOX		4SETS/CTN	0.2500
142 .	QPCP-FEARLESS	CARTON PAD		2PCS/CTN	0.5000
143 .	QPGB-FEARLESS	GIFT BOX			1.0000
144 .	QPIM-FEARLESS	MANUAL			1.0000
145 .	QPSL-00000003 BOTTOM(1),G/BOX(1)	SERIAL LABEL	MADE IN KOREA(無)		2.0000
146 .	QPSP-FEARLESS	SET PAD			1.0000
147 .	AMAB-0108-00	BADGE	ALp, t=2.0	Mac Audio: Fearless One	1.0000
148 .	APBM-0057-00	FRONT PCB POST	BSBM/L=24.3mm	4CH	2.0000
149 .	APBM-0106-00 for FAN	PCB HOLDER	BsBM H=2.0mm	GS-SERIES(HIGH)	2.0000
150 .	APCO-0306-00	BOTTOM COVER	L=299.6mm,SILVER	Fearless1	1.0000
151 .	FUSE-40A-10021 for ACC'Y	AUTO FUSE	40A PAT10021		3.0000
152 .	Mac Audio-REMOTE for ACC'Y	REMOTE ASS'Y	Mac Audio	Mac Audio: Fearless One	1.0000
153 .	CESC-MV100D55 C1,C3,C11,C12,C43,C51,C90,C91	ELECTROLYTIC SMD CAP	10uF/16V MV-D55	4x5	8.0000

Mac Audio FEARLESS ONE

NO	CODE LOCATION	ITEM	SPEC		Q'TY
154 .	CESC-MV220E55 C45,C115,C116,C133	ELECTROLYTIC SMD CAP	22uF/16V MV-E55	5x5	4.0000
155 .	CESC-MV470F55 C7	ELECTROLYTIC SMD CAP	47uF/16V MV-F55	6.3x5	1.0000
156 .	CESD-MV100E55 C117	ELECTROLYTIC SMD CAP	10uF/25V MV-E55	5x5	1.0000
157 .	CESE-MV101H10 C5	ELECTROLYTIC SMD CAP	100uF/35V MV-H10	8x10	1.0000
158 .	CESF-MV010D55 C23	ELECTROLYTIC SMD CAP	1uF/50V MV-D55	4x5	1.0000
159 .	CESF-MV100F55 C81,C82,C83,C84,C85,C86,C87	ELECTROLYTIC SMD CAP	10uF/50V MV-F55	6.3x5	7.0000
160 .	CESF-MV2R2D55 C9	ELECTROLYTIC SMD CAP	2.2uF/50V MV-D55	4x5	1.0000
161 .	IC-IR2184SPBF IC5	CHIP IC	IR2184SPBF	SOP-8	1.0000
162 .	TR-MMBTA92 Q19	CHIP TRANSISTOR	MMBTA92	KST92 MTF	1.0000
163 .	CEAF-100A0511T2 C107,C207	ELECTROLYTIC AL. CAP	10uF/50V +85 5x11	SD/2.5 mm TAPPING	2.0000
164 .	PCB-PMC310-12	MAIN PCB	128x334.25x1.6t	BLUE	1.0000
165 .	CEAD-332B1631T7 C33,C34,C35,C36,C37	ELECTROLYTIC AL. CAP	3300uF/25V 16x31	+105 NXB 7mm TAPPING(WB)	5.0000
166 .	CEAH-332A3030B C71,C72,C73,C74	ELECTROLYTIC AL. CAP	3300uF/80V 30x30	+85 BULK PIN TYPE (HC)	4.0000

Mac Audio FEARLESS ONE

NO	CODE LOCATION	ITEM	SPEC	Q'TY
167 .	CEAM-100N1220T5 C162,C173	ELECTRONIC AL. CAP	10uF/250V NP 12.5x20 NP 5mm TAPPING	2.0000
168 .	FAN-PL30S12L	FAN	30x30x10	1.0000
169 .	FET-FQA34N20 Q101,Q102,Q110,Q111	FET	FQA34N20	4.0000
170 .	FET-IRFP064N Q21,Q22,Q23,Q24	FET	IRFP064N	4.0000
171 .	FUSE-40A-10021 F1,F2,F3	AUTO FUSE	40A PAT10021	3.0000
172 .	PHONE-002-G 1,2	PHONE JACK	PJ-002(G) GOLD L/R ASS'Y	2.0000
173 .	PHOTO-KPC117 IC6,IC7,Q227	PHOTO COUPLE	KPC117	3.0000
174 .	TER-002-23-H TER2	2P TERMINAL	WB02-36D (JSZ2-32) Down/Wrench/Gold/BK	1.0000
175 .	TER-003-23-H TER1	3P TERMINAL	WB03-33D (JSZ3-31) Down/Wrench/Gold/Black	1.0000
176 .	TR-KTD600K Q81	TRANSISTOR	KTD600K	1.0000
177 .	WAFER-LW0640-04 1,2	WAFER	LW0640-04 S11 4A	2.0000
178 .	DIODE-EL1Z D21,D22,D73,D74,D75,D76,D77,D78,D79,D80	FAST RECOVERY	EL1Z TAPPING	10.0000